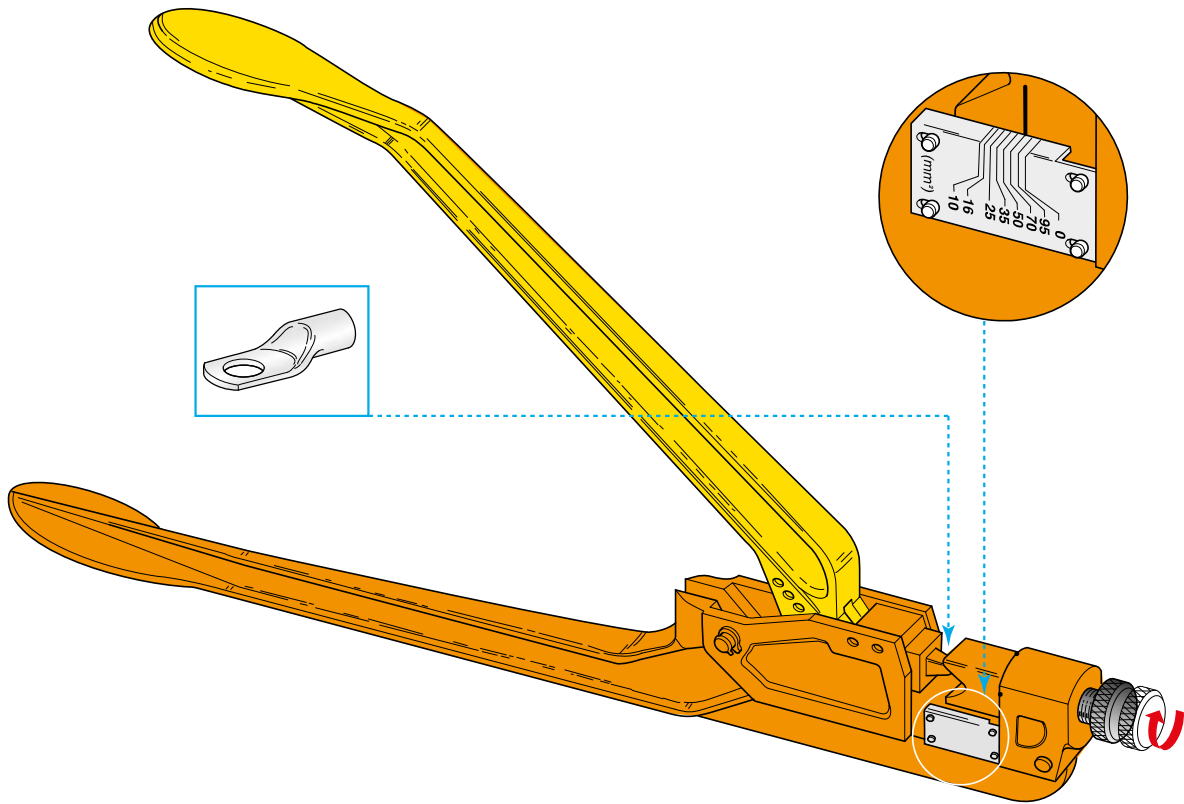


CRIMPING TOOLS



1

IMG	DESCRIPTION	WIRE SECTION mm ²	LENGTH mm	WEIGHT g	P/N BOX	MOQ
1	TOOL FOR TUBULAR TERMINALS	10÷95	565÷585	2916	9602490	1