

AKZ1550/..-3.81-GREEN



Technical Data

Wire Sizes		Insulating Material	
Solid min	0.14 mm ²	Material	PA 6.6
solid max	1.5 mm ²	Flammability Class	UL 94 V-0
Stranded (flexible) min	0.14 mm ²	Temperatures	
Stranded (flexible) max	1.5 mm ²	Operating Temperature	-30 °C - 105 °C
Stranded with Ferrule min	0.25 mm ²	Wave Soldering Process	
Stranded with Ferrule max	1.0 mm ²	Soldering Temperature, recommended	-
Dimensions		Peak Soldering Time, recommended	-
Stripped Length	7.0 mm	Reflow Process	
Materials		Soldering Temperature, recommended	-
Clamp	Brass	Peak Soldering Time, recommended	-
Screw	Bronze		
Contact Spring	Bronze		

Colours

	GREEN, RAL6018
	BLACK, RAL9011
	BLUE, RAL5015
	LIGHT GREEN, similar RAL 6018

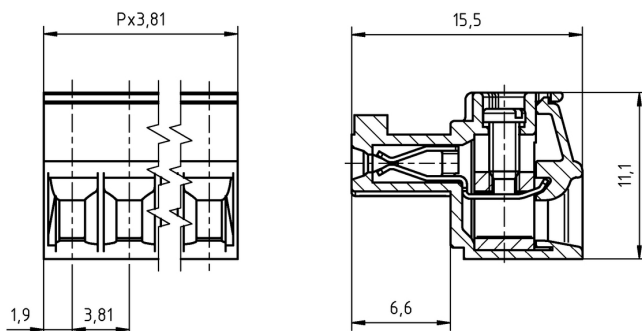
Colours according to RAL, there may be variations on colour due to production conditions.
Special colours on request.

Counterparts (Spacing 3.81 mm)

Pin Strip/Terminal Blocks

STLZ1550	STLZ1590	STLZ1570
----------	----------	----------

If there are combinations with different ratings, the lower value is valid.



Order Data (Spacing mm)

Poles	Width (mm)	Article Designation	Article Number	PU
2	7.62	AKZ1550/2-3.81-GREEN	51550020025F	200
3	11.43	AKZ1550/3-3.81-GREEN	51550030025F	200
4	15.24	AKZ1550/4-3.81-GREEN	51550040025F	200
5	19.05	AKZ1550/5-3.81-GREEN	51550050025F	200
6	22.86	AKZ1550/6-3.81-GREEN	51550060025E	100
7	26.67	AKZ1550/7-3.81-GREEN	51550070025E	100
8	30.48	AKZ1550/8-3.81-GREEN	51550080025D	50
9	34.29	AKZ1550/9-3.81-GREEN	51550090025D	50
10	38.10	AKZ1550/10-3.81-GREEN	51550100025D	50
11	41.91	AKZ1550/11-3.81-GREEN	51550110025D	50
12	45.72	AKZ1550/12-3.81-GREEN	51550120025D	50
13	49.53	AKZ1550/13-3.81-GREEN	51550130025D	50
14	53.34	AKZ1550/14-3.81-GREEN	51550140025D	50
15	57.15	AKZ1550/15-3.81-GREEN	51550150025D	50
16	60.96	AKZ1550/16-3.81-GREEN	51550160025D	50
17	64.77	AKZ1550/17-3.81-GREEN	51550170025D	50
18	68.58	AKZ1550/18-3.81-GREEN	51550180025D	50
19	72.39	AKZ1550/19-3.81-GREEN	51550190025D	50
20	76.20	AKZ1550/20-3.81-GREEN	51550200025D	50

Accessories

Figure	Designation	Article Number
	Bridge, 2-pole, BR/2-5.0/5.08-L7.5	50000000015
	Bridge, 3-pole, BR/3-3.5/3.81-L7.5	50000000016
	Bridge, 2-pole, insulated, BRI/2-7.0/7.62-L7.5-LIGHT GREY	50000000018
	Serie AK(Z)1550 mit Zuglasche	on request

Ratings



Usegroup	B	C	D		
Rated Voltage	300 V	-	300 V	160 V	
Rated Current	8 A	-	8 A	9 A	
Overvoltage Category				III	
Rated Wire Size			min		max
	solid	AWG 28-16	-	AWG 28-16	0.5 mm ² (6 A) 1.5 mm ² (9 A)
	stranded	AWG 28-16	-	AWG 28-16	0.5 mm ² (6 A) 1.5 mm ² (9 A)
Torque	0.25 Nm		-	0.25 Nm	0.25 Nm
Screw Size	M2		-	M2	M2
Test Voltage	1.6 kV		-	1.6 kV	2.5 kV
Pollution Degree	3				