

# Technical Information

## Liquiphant FTL31

Vibronic



### Point level switch for liquids

#### Application

The Liquiphant FTL31 is a point level switch for liquids and is used in tanks, vessels and pipes.

It is used for overflow protection or pump protection in cleaning and filter systems as well as in cooling and lubrication vessels, for instance.

Ideal for applications in which float switches or conductive, capacitance and optical sensors have been used up to now. The Liquiphant FTL31 also works in areas where these measuring principles are not suitable due to conductivity, buildup, turbulence, flow conditions or air bubbles.

The Liquiphant FTL31 can be used for process temperatures up to:

- 100 °C (212 °F)
- 150 °C (302 °F)

Not suitable for hazardous areas.

The use of the Liquiphant FTL33 is recommended for hygiene areas.

#### Your benefits

- Operational safety, reliability and universal application thanks to the tuning fork measuring principle
- Robust stainless steel housing (316L), optionally available with M12x1 plug with IP69 protection
- External function test with test magnet
- Onsite function check possible thanks to LED indication
- Compact design for easy installation even in confined conditions or hard-to-access areas

## Table of contents


<b>Important document information</b> . . . . .	<b>3</b>	<b>Process</b> . . . . .	<b>20</b>
Symbols used . . . . .	3	Process temperature range . . . . .	20
<b>Function and system design</b> . . . . .	<b>4</b>	Process pressure range . . . . .	20
Measuring principle . . . . .	4	Density . . . . .	20
Measuring system . . . . .	4	State of aggregation . . . . .	20
<b>Input</b> . . . . .	<b>5</b>	Viscosity . . . . .	20
Measured variable . . . . .	5	Solids contents . . . . .	20
Measuring range . . . . .	5	Lateral loading capacity . . . . .	20
<b>Output</b> . . . . .	<b>5</b>	<b>Mechanical construction</b> . . . . .	<b>21</b>
Switch output . . . . .	5	Design . . . . .	21
Operating modes . . . . .	5	Plug . . . . .	22
<b>Power supply</b> . . . . .	<b>5</b>	Tuning fork . . . . .	22
Supply voltage . . . . .	5	Sensor type . . . . .	23
Power consumption . . . . .	5	Weight . . . . .	26
Current consumption . . . . .	5	Materials . . . . .	26
Residual ripple . . . . .	5	Surface roughness . . . . .	27
Residual voltage . . . . .	5	<b>Operability</b> . . . . .	<b>28</b>
Electrical connection . . . . .	6	LED display . . . . .	28
Cable entry . . . . .	13	Function test with test magnet . . . . .	29
Cable specification . . . . .	13	<b>Certificates and approvals</b> . . . . .	<b>30</b>
Overvoltage protection . . . . .	13	CE mark . . . . .	30
<b>Performance characteristics</b> . . . . .	<b>14</b>	EAC conformity . . . . .	30
Reference operating conditions . . . . .	14	RCM-Tick marking . . . . .	30
Switch point (with orientation: vertical from above) . . . . .	14	Approval . . . . .	30
Hysteresis . . . . .	14	Overfill protection . . . . .	30
Non-repeatability . . . . .	14	Marine approvals . . . . .	30
Influence of ambient temperature . . . . .	14	CRN approval . . . . .	30
Influence of medium temperature . . . . .	14	Inspection certificates . . . . .	30
Influence of medium pressure . . . . .	14	Manufacturer declaration . . . . .	30
Switching delay . . . . .	14	Pressure Equipment Directive . . . . .	30
Switch-on delay . . . . .	14	Other standards and guidelines . . . . .	30
Measuring frequency . . . . .	14	<b>Ordering information</b> . . . . .	<b>31</b>
Measured error . . . . .	14	Ordering information . . . . .	31
<b>Mounting</b> . . . . .	<b>15</b>	Services (optional) . . . . .	31
Orientation . . . . .	15	<b>Accessories</b> . . . . .	<b>31</b>
Installation instructions . . . . .	15	Weld-in adapter . . . . .	31
Length of connecting cable . . . . .	17	Plug-in jack, cable . . . . .	31
<b>Environment</b> . . . . .	<b>18</b>	Additional accessories . . . . .	32
Ambient temperature range . . . . .	18	<b>Supplementary documentation</b> . . . . .	<b>34</b>
Storage temperature . . . . .	18	Operating Instructions Liquiphant FTL31 . . . . .	34
Climate class . . . . .	18	Additional documentation . . . . .	34
Altitude . . . . .	18	Certificates . . . . .	34
Degree of protection . . . . .	19		
Shock resistance . . . . .	19		
Vibration resistance . . . . .	19		
Electromagnetic compatibility . . . . .	19		
Reverse polarity protection . . . . .	19		
Short-circuit protection . . . . .	19		

## Important document information


---

### Symbols used

### Symbols for certain types of information and graphics

 **Permitted**

Procedures, processes or actions that are permitted

 **Forbidden**

Procedures, processes or actions that are forbidden

 **Tip**

Indicates additional information



Reference to documentation



Reference to graphic



Notice or individual step to be observed

**1, 2, 3**

Series of steps



Result of a step

**1, 2, 3, ...**

Item numbers

**A, B, C, ...**

Views

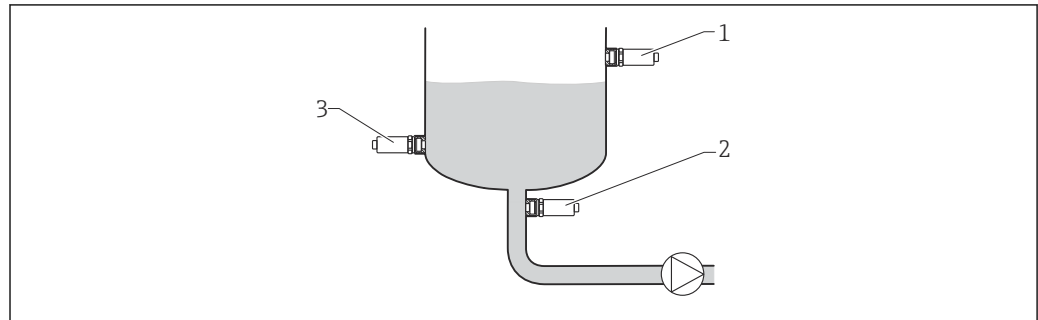
## Function and system design

### Measuring principle

A piezoelectric drive causes the tuning fork of the device to vibrate at its resonance frequency. When the tuning fork is immersed in a liquid, its intrinsic frequency changes due to the change in density of the surrounding medium. The electronics system in the point level switch monitors the resonance frequency and indicates whether the tuning fork is vibrating in air or is covered by liquid.

### Measuring system

The measuring system consists of a point level switch, e.g. for connection to programmable logic controllers (PLC).



A0036961

#### 1 Installation examples

- 1 Overfill protection or upper level detection (maximum safety)
- 2 Dry running protection for pump (minimum safety)
- 3 Lower level detection (minimum safety)

## Input

Measured variable	Density
Measuring range	> 0.7 g/cm <sup>3</sup> (optionally available: > 0.5 g/cm <sup>3</sup> )

## Output

Switch output	<p>Switching behavior: On/Off</p> <p><b>Function</b>          3-wire DC-PNP:          Positive voltage signal at the switch output of the electronics (PNP), switching capacity 200 mA          2-wire AC/DC:          Load switching in the power supply line, switching capacity 250 mA</p>
Operating modes	<p>The device has two operating modes: maximum safety (MAX) and minimum safety (MIN).</p> <p>By choosing the corresponding operating mode, the user ensures that the device also switches in a safety-oriented manner even in an alarm condition, e.g. if the power supply line is disconnected.</p> <ul style="list-style-type: none"> <li>▪ <b>Maximum safety (MAX)</b>              The device keeps the electronic switch closed as long as the liquid level is below the fork. Sample application: overflow prevention</li> <li>▪ <b>Minimum safety (MIN)</b>              The device keeps the electronic switch closed as long as the fork is immersed in liquid. Sample application: Dry running protection for pumps</li> </ul> <p>The electronic switch opens if the limit is reached, if a fault occurs or the power fails (quiescent current principle).</p>

## Power supply

Supply voltage	<p>DC-PNP          10 to 30 V DC, 3-wire</p> <p>AC/DC          20 to 253 VAC/DC, 2-wire</p>
Power consumption	<p>DC-PNP          &lt; 975 mW</p> <p>AC/DC          &lt; 850 mW</p>
Current consumption	<p>DC-PNP          &lt; 15 mA</p> <p>AC/DC          &lt; 3.8 mA</p>
Residual ripple	<p>DC-PNP          5 V<sub>ss</sub> 0 to 400 Hz</p> <p>AC/DC          —</p>
Residual voltage	<p>DC-PNP          U &lt; 3 V (for switched through transistor)</p> <p>AC/DC          —</p>

**Electrical connection**

Two electronic versions and three different connections are available for the device.

- Electronic version 3-wire DC-PNP with connection; M12 plug, valve plug or cable
- Electronic version 2-wire AC/DC with connection; valve plug or cable

A fine-wire fuse is necessary for operation: 500 mA slow-blow.


**Electronic version 3-wire DC-PNP**

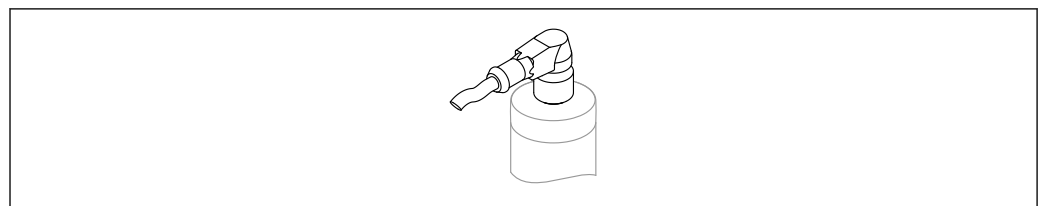
3-wire DC-PNP is preferably used in conjunction with programmable logic controllers (PLC), DI modules as per EN 61131-2. Positive signal at the switch output of the electronics (PNP).

Voltage source: non-hazardous contact voltage or Class 2 circuit (North America).

*Connection with M12 plug*

Depending on the analysis of the switch outputs, the device works in the MAX (maximum safety) or MIN (minimum safety) mode.

 A cable is optionally available





A0022901

 2 M12 plug

Maximum safety										
Terminal assignment	MAX output	Yellow LED (ye)								
<p><b>Wire colors for M12 plug:</b></p> <ul style="list-style-type: none"> <li>■ 1 = BN (brown)</li> <li>■ 2 = WT (white)</li> <li>■ 3 = BU (blue)</li> <li>■ 4 = BK (black)</li> </ul>										
<table border="0"> <tr> <td><b>Symbols</b></td> <td><b>Description</b></td> </tr> <tr> <td></td> <td>Yellow LED (ye) lit</td> </tr> <tr> <td></td> <td>Yellow LED (ye) not lit</td> </tr> <tr> <td>K</td> <td>External load</td> </tr> </table>			<b>Symbols</b>	<b>Description</b>		Yellow LED (ye) lit		Yellow LED (ye) not lit	K	External load
<b>Symbols</b>	<b>Description</b>									
	Yellow LED (ye) lit									
	Yellow LED (ye) not lit									
K	External load									

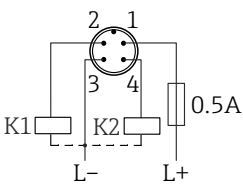















Minimum safety		
Terminal assignment	MIN output	Yellow LED (ye)

Minimum safety		
Terminal assignment	MIN output	Yellow LED (ye)
<b>Wire colors for M12 plug:</b> <ul style="list-style-type: none"> <li>▪ 1 = BN (brown)</li> <li>▪ 2 = WT (white)</li> <li>▪ 3 = BU (blue)</li> <li>▪ 4 = BK (black)</li> </ul>		
<b>Symbols</b>	<b>Description</b>	
	Yellow LED (ye) lit	
	Yellow LED (ye) not lit	
K	External load	

*Function monitoring with M12 plug*

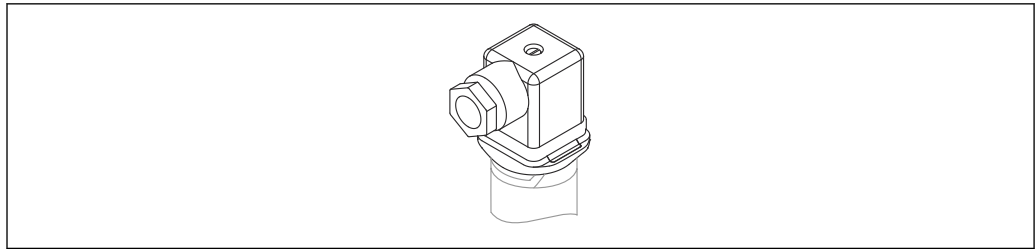
Using a two-channel analysis, function monitoring of the sensor can be implemented in addition to level monitoring, e.g. per relay switch, PLC, AS-i Bus I/O module.

When both outputs are connected, the MIN and MAX outputs assume opposite states (XOR) when the device is operating fault-free. In the event of an alarm condition or a line break, both outputs are de-energized.

Connection for function monitoring using XOR operation		Yellow LED (ye)	LED red (rd)	
	<b>Sensor covered</b>	Max output  1 / 2		
		Min output  1 / 4		
	<b>Sensor not covered</b>	Max output  1 / 2		
		Min output  1 / 4		
	<b>Fault</b>	 1 / 2		
		 1 / 4		
<b>Wire colors for M12 plug:</b> <ul style="list-style-type: none"> <li>▪ 1 = BN (brown)</li> <li>▪ 2 = WT (white)</li> <li>▪ 3 = BU (blue)</li> <li>▪ 4 = BK (black)</li> </ul>				
<b>Symbols</b>	<b>Description</b>			
	LED lit			
	LED not lit			
	Fault or warning			
K1/K2	External load			

*Connection with valve plug*

Depending on the assignment of the connector or the wiring of the cable, the device works in either the MAX or MIN operating mode.



A0022900

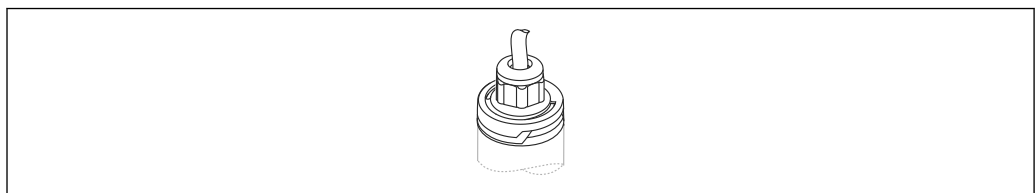
3 Valve plug

3-wire DC-PNP		
Terminal assignment	MAX operating mode	Yellow LED (ye)
<b>Symbols</b>   K	<b>Description</b> Yellow LED (ye) lit Yellow LED (ye) not lit External load	

3-wire DC-PNP		
Terminal assignment	MIN operating mode	Yellow LED (ye)
<b>Symbols</b>   K	<b>Description</b> Yellow LED (ye) lit Yellow LED (ye) not lit External load	

Connection with cable

Depending on the assignment of the connector or the wiring of the cable, the device works in either the MAX or MIN operating mode.



A0022902

4 Cable (cannot be disassembled)



3-wire DC-PNP										
Terminal assignment	MAX operating mode	Yellow LED (ye)								
<p>Wire colors:                      1 = BK (black)                      2 = GR (gray)                      3 = BN (brown)                      Ground = GNYE (green-yellow)</p>										
<table border="0"> <thead> <tr> <th>Symbols</th> <th>Description</th> </tr> </thead> <tbody> <tr> <td></td> <td>Yellow LED (ye) lit</td> </tr> <tr> <td></td> <td>Yellow LED (ye) not lit</td> </tr> <tr> <td>K</td> <td>External load</td> </tr> </tbody> </table>			Symbols	Description		Yellow LED (ye) lit		Yellow LED (ye) not lit	K	External load
Symbols	Description									
	Yellow LED (ye) lit									
	Yellow LED (ye) not lit									
K	External load									

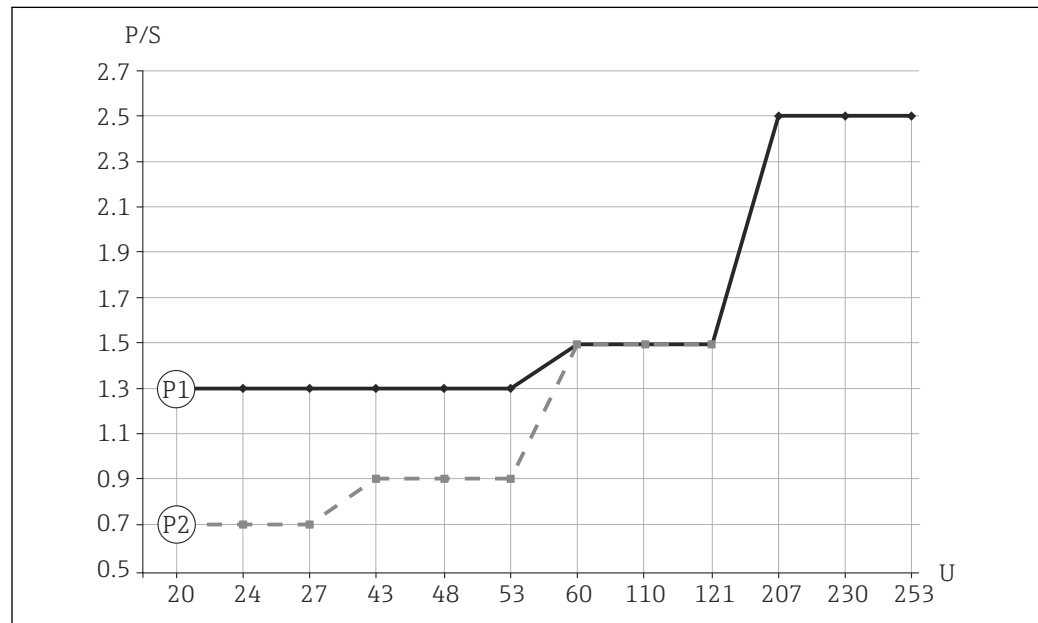
3-wire DC-PNP										
Terminal assignment	MIN operating mode	Yellow LED (ye)								
<p>Wire colors:                      1 = BK (black)                      2 = GR (gray)                      3 = BN (brown)                      Ground = GNYE (green-yellow)</p>										
<table border="0"> <thead> <tr> <th>Symbols</th> <th>Description</th> </tr> </thead> <tbody> <tr> <td></td> <td>Yellow LED (ye) lit</td> </tr> <tr> <td></td> <td>Yellow LED (ye) not lit</td> </tr> <tr> <td>K</td> <td>External load</td> </tr> </tbody> </table>			Symbols	Description		Yellow LED (ye) lit		Yellow LED (ye) not lit	K	External load
Symbols	Description									
	Yellow LED (ye) lit									
	Yellow LED (ye) not lit									
K	External load									

**Electronic version 2-wire AC/DC**

The load is switched via an electronic switch directly in the power supply circuit. Always connect in series with a load!

Not suitable for connection to low-voltage PLC inputs!

*Selection tool for relays*



A0023486

5 Minimum rated power of the load

*P/S* Rated power in [W] / [VA]

*U* Operating voltage in [V]

**P1: AC mode**

**Relay operating voltage:** Relay rated power

- 24 V: 1.3 to 6 VA
- 110 V: 1.5 to 27.5 VA
- 230 V: 2.5 to 57.5 VA

**P2: DC mode**

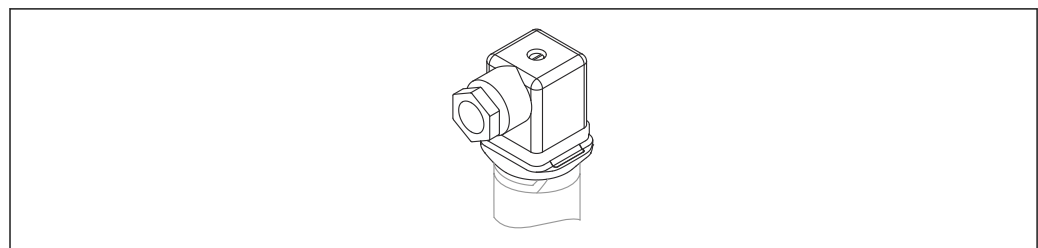
**Relay operating voltage:** Relay rated power

- 24 V: 0.7 to 6 W
- 48 V: 0.9 to 12 W
- 60 V: 1.5 to 15 W

Relays with a lower rated power can be operated by means of an RC module connected in parallel (optional).

*Connection with valve plug*

Depending on the assignment of the connector or the wiring of the cable, the device works in either the MAX or MIN operating mode.



A0022900

6 Valve plug

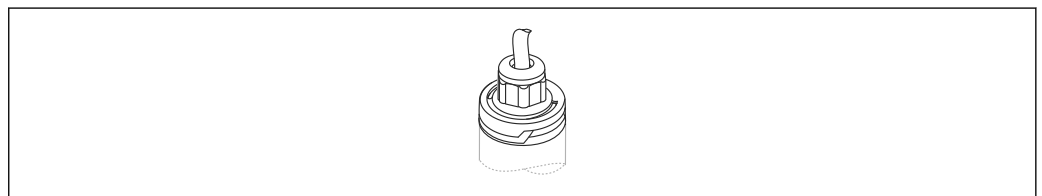
2-wire AC/DC		
Terminal assignment	MAX operating mode	Yellow LED (ye)
	 <small>A0045072</small>	
	 <small>A0045074</small>	
<b>Symbols</b>   K	<b>Description</b> Yellow LED (ye) lit Yellow LED (ye) not lit External load	

2-wire AC/DC		
Terminal assignment	MIN operating mode	Yellow LED (ye)
	 <small>A0045070</small>	
	 <small>A0045069</small>	
<b>Symbols</b>   K	<b>Description</b> Yellow LED (ye) lit Yellow LED (ye) not lit External load	

*Connection with cable*

Depending on the assignment of the connector or the wiring of the cable, the device works in either the MAX or MIN operating mode.

When the cable is wired, one wire of the cable does not have any function in each of the operating modes (brown in the case of MIN, and gray in the case of MAX). The cable with no function must be secured against inadvertent contact.



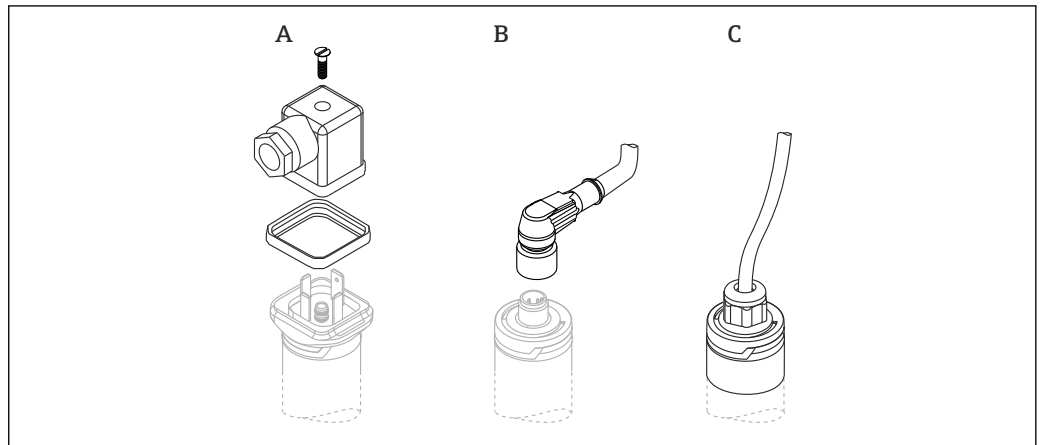
A0022902

7 Cable (cannot be disassembled)

2-wire AC/DC										
Terminal assignment	MAX operating mode	Yellow LED (ye)								
<p>Wire colors:                      1 = BK (black)                      2 = GR (gray)                      3 = BN (brown)                      Ground = GNYE (green-yellow)</p>										
<table border="0"> <thead> <tr> <th>Symbols</th> <th>Description</th> </tr> </thead> <tbody> <tr> <td></td> <td>Yellow LED (ye) lit</td> </tr> <tr> <td></td> <td>Yellow LED (ye) not lit</td> </tr> <tr> <td>K</td> <td>External load</td> </tr> </tbody> </table>			Symbols	Description		Yellow LED (ye) lit		Yellow LED (ye) not lit	K	External load
Symbols	Description									
	Yellow LED (ye) lit									
	Yellow LED (ye) not lit									
K	External load									

2-wire AC/DC										
Terminal assignment	MIN operating mode	Yellow LED (ye)								
<p>Wire colors:                      1 = BK (black)                      2 = GR (gray)                      3 = BN (brown)                      Ground = GNYE (green-yellow)</p>										
<table border="0"> <thead> <tr> <th>Symbols</th> <th>Description</th> </tr> </thead> <tbody> <tr> <td></td> <td>Yellow LED (ye) lit</td> </tr> <tr> <td></td> <td>Yellow LED (ye) not lit</td> </tr> <tr> <td>K</td> <td>External load</td> </tr> </tbody> </table>			Symbols	Description		Yellow LED (ye) lit		Yellow LED (ye) not lit	K	External load
Symbols	Description									
	Yellow LED (ye) lit									
	Yellow LED (ye) not lit									
K	External load									

**Cable entry**



A0020928

- A Valve plug (M16x1.5; NPT ½"; QUICKON)
- B M12 plug
- C Cable 5 m (16 ft); secured in place on delivery and cannot be disassembled

---

**Cable specification**

- Valve plug
  - Cable cross-section: max. 1.5 mm<sup>2</sup> (AWG 16)
  - Ø 3.5 to 8 mm (0.14 to 0.26 in)
- M12 plug: IEC 60947-5-2
- Cable (3LPE)
  - Cable cross-section: 0.75 mm<sup>2</sup> (AWG 20)
  - Ø 6 to 8 mm (0.24 to 0.31 in)
  - Material: PUR

---

**Overvoltage protection**

Overvoltage category II

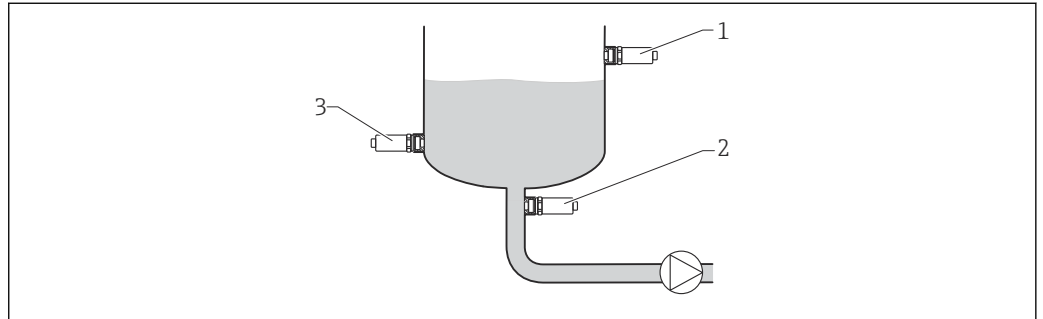
## Performance characteristics

<b>Reference operating conditions</b>	Ambient temperature:	+25 °C (+77 °F)
	Process pressure:	1 bar (14.5 psi)
	Fluid:	Water (density: approx. 1 g/cm <sup>3</sup> , viscosity 1 mm <sup>2</sup> /s)
	Medium temperature:	25 °C (77 °F)
	Density setting:	> 0.7 g/cm <sup>3</sup>
	Switching time delay:	Standard (0.5 s, 1 s)
<b>Switch point (with orientation: vertical from above)</b>	13 mm (0.51 in) ± 1 mm	
<b>Hysteresis</b>	Max. 3 mm (0.12 in)	
<b>Non-repeatability</b>	±1 mm (0.04 in) in accordance with DIN 61298-2	
<b>Influence of ambient temperature</b>	Negligible	
<b>Influence of medium temperature</b>	-25 µm (984 µin)/°C	
<b>Influence of medium pressure</b>	-20 µm (787 µin)/bar	
<b>Switching delay</b>	<ul style="list-style-type: none"> <li>■ 0.5 s when tuning fork is covered</li> <li>■ 1.0 s when tuning fork is uncovered</li> <li>■ Optionally available: 0.2 s; 1.5 s or 5 s (when the tuning fork is covered and uncovered)</li> </ul>	
<b>Switch-on delay</b>	Max. 3 s	
<b>Measuring frequency</b>	Approx. 1 100 Hz in air	
<b>Measured error</b>	In event of device change: ±2 mm (0.08 in) as per DIN 61298-2	

## Mounting

### Orientation

The point level switch can be installed in any position in a vessel, pipe or tank. Foam formation does not affect the function.



A0036961

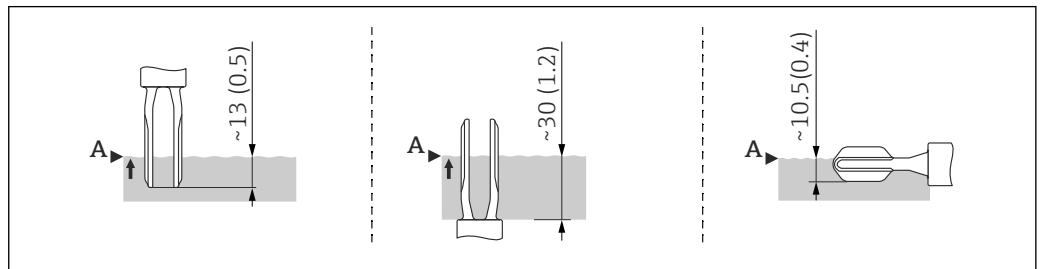
#### 8 Installation examples

- 1 Overfill protection or upper level detection (maximum safety)
- 2 Dry running protection for pump (minimum safety)
- 3 Lower level detection (minimum safety)

### Installation instructions

#### Switch point

The switch point (A) on the sensor depends on the orientation of the point level switch (water +25 °C (+77 °F), 1 bar (14.5 psi)).

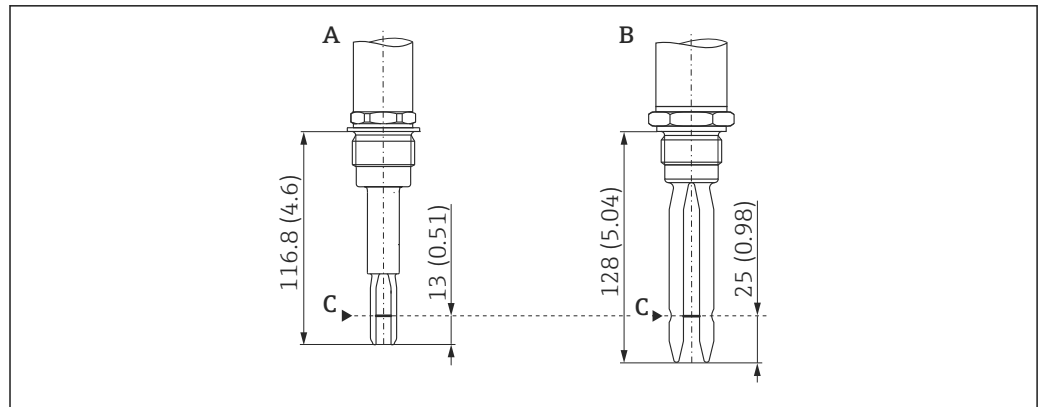


A0020734

#### 9 Orientation: vertical from above, vertical from below, horizontal; dimensions in mm (in)

#### Short tube version

The use of the short tube ensures that the switch point is at the same level as in the previous Liquiphant FTL260 model when an identical thread is selected. In this way, the device can be replaced quickly and easily. (Applies for process connections G 1" weld-in adapter for flush mount installation, MNPT 1" and R 1")



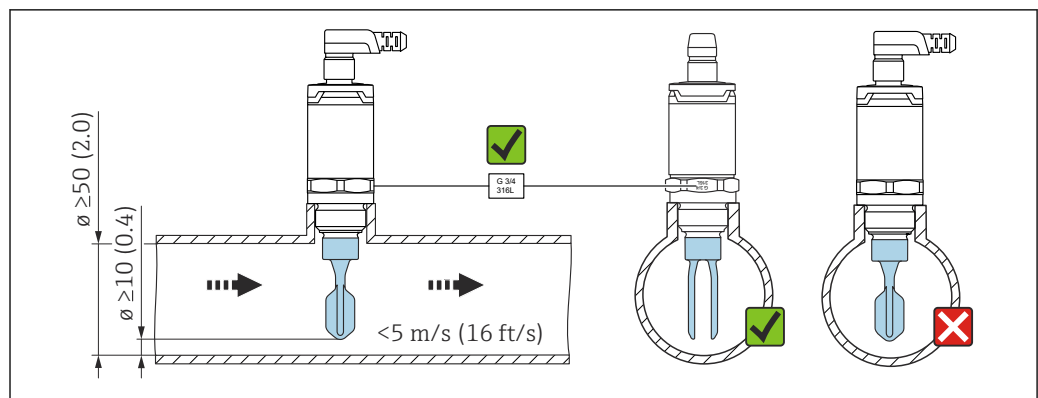
A0022122

Dimensions mm (in)

- A Liquiphant FTL31 with short tube  
 B Liquiphant FTL260  
 C Switch point

### Installation in pipes

During installation, pay attention to the position of the fork in order to minimize turbulence in the pipe.



A0021357

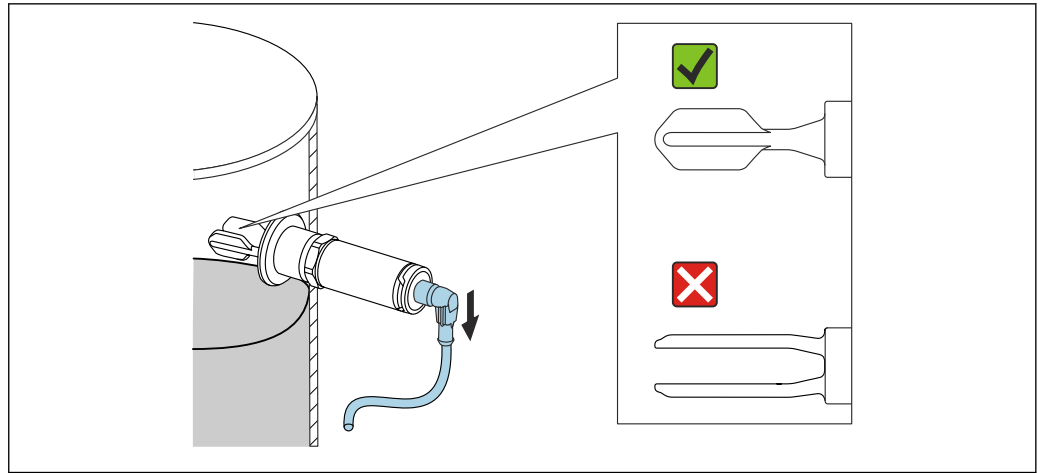
Dimensions mm (in)

### Installation in vessels

If installed horizontally, pay attention to the position of the tuning fork to ensure that the liquid can drip off.

The electrical connection, e.g. M12 plug, should be pointing down with the cable. This can prevent moisture from penetrating.



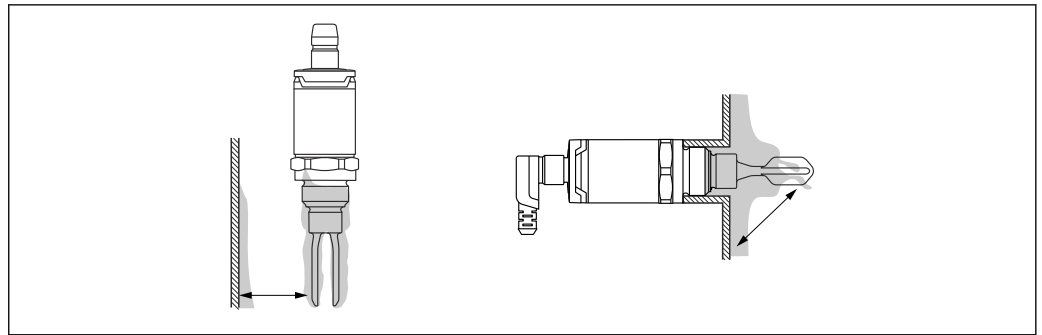


A0021034

10 Position of the fork in the case of horizontal installation in a vessel

**Distance from wall**

Ensure that there is sufficient distance between the expected buildup on the tank wall and the fork. Recommended distance from wall  $\geq 10$  mm (0.39 in).



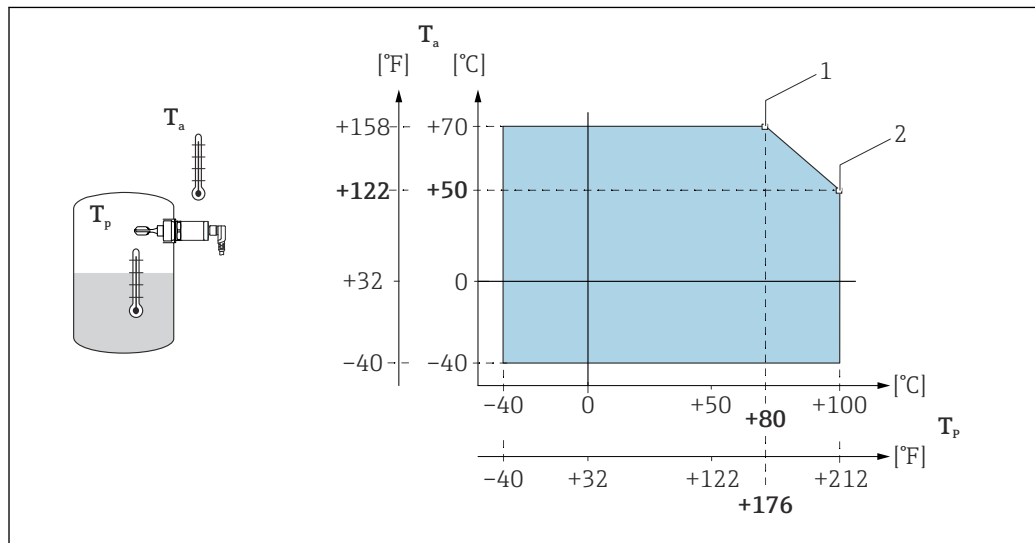
A0022272

**Length of connecting cable**

- Up to 1000 m (3281 ft)
- Max. 25  $\Omega$ /wire, total capacitance < 100 nF

## Environment

**Ambient temperature range** -40 to +70 °C (-40 to +158 °F)



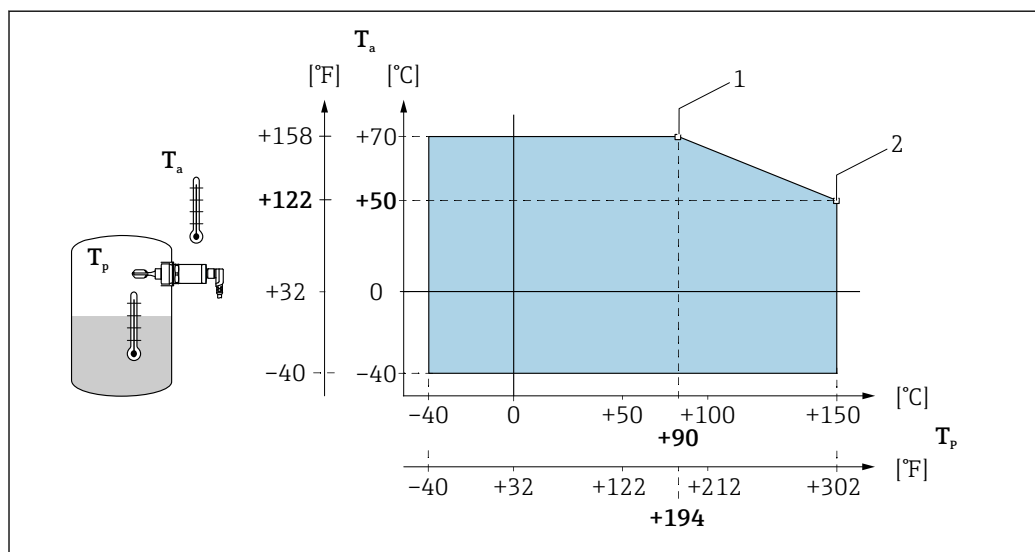
11 Derating curve: 100 °C (212 °F)

1  $I_{max}$ : 200 mA (DC-PNP), 250 mA (AC/DC)

2  $I_{max}$ : 150 mA (DC-PNP), 150 mA (AC/DC)

$T_a$  Ambient temperature range

$T_p$  Process temperature



12 Derating curve: 150 °C (302 °F)

1  $I_{max}$ : 200 mA (DC-PNP), 250 mA (AC/DC)

2  $I_{max}$ : 150 mA (DC-PNP), 150 mA (AC/DC)

$T_a$  Ambient temperature range

$T_p$  Process temperature

**Storage temperature** -40 to +85 °C (-40 to +185 °F)

**Climate class** DIN EN 60068-2-38/IEC 68-2-38: test Z/AD

**Altitude** Up to 2 000 m (6 600 ft) above sea level

<b>Degree of protection</b>	<ul style="list-style-type: none"><li>■ IP65/67 NEMA Type 4X Enclosure (M12 plug)</li><li>■ IP66/68/69 NEMA Type 4X/6P Enclosure (M12 plug for metal housing cover)</li><li>■ IP65 NEMA Type 4X Enclosure (valve plug)</li><li>■ IP66/68 NEMA Type 4X/6P Enclosure (cable)</li></ul>
<b>Shock resistance</b>	a = 300 m/s <sup>2</sup> = 30 g, 3 axes x 2 directions x 3 shocks x 18 ms, as per test Ea, prEN 60068-2-27:2007
<b>Vibration resistance</b>	a(RMS) = 50 m/s <sup>2</sup> , ASD = 1.25 (m/s <sup>2</sup> ) <sup>2</sup> /Hz, f = 5 to 2 000 Hz, t = 3 x 2 h, as per test Fh, EN 60068-2-64:2008
<b>Electromagnetic compatibility</b>	Electromagnetic compatibility in accordance with all relevant requirements of the EN 61326 series and NAMUR recommendation EMC (NE21). For details, refer to the EC Declaration of Conformity. The EC Declaration of Conformity is available in the Download Area of the Endress+Hauser website: <a href="http://www.endress.com">www.endress.com</a> → Downloads.
<b>Reverse polarity protection</b>	<b>2-wire AC/DC</b> <ul style="list-style-type: none"><li>■ AC mode: the device has reverse polarity protection.</li><li>■ DC mode: in the event of reverse polarity the maximum safety mode is always detected. Check the wiring and perform a function check before commissioning. The device is not damaged in the event of reverse polarity.</li></ul> <b>3-wire DC-PNP</b> Integrated. In the event of reverse polarity, the device is deactivated automatically.
<b>Short-circuit protection</b>	<b>2-wire AC/DC</b> During switching the sensor checks whether a load, e.g. relay or contactor, is present (load check). If an error occurs, the sensor is not damaged. Smart monitoring: normal operation is resumed once the error is fixed. <b>3-wire DC-PNP</b> Overload protection/short-circuit protection at I > 200 mA; the sensor is not destroyed. Intelligent monitoring: Testing for overload at intervals of approx. 1.5 s; normal operation resumes once the overload/short-circuit has been rectified.

---

## Process

---

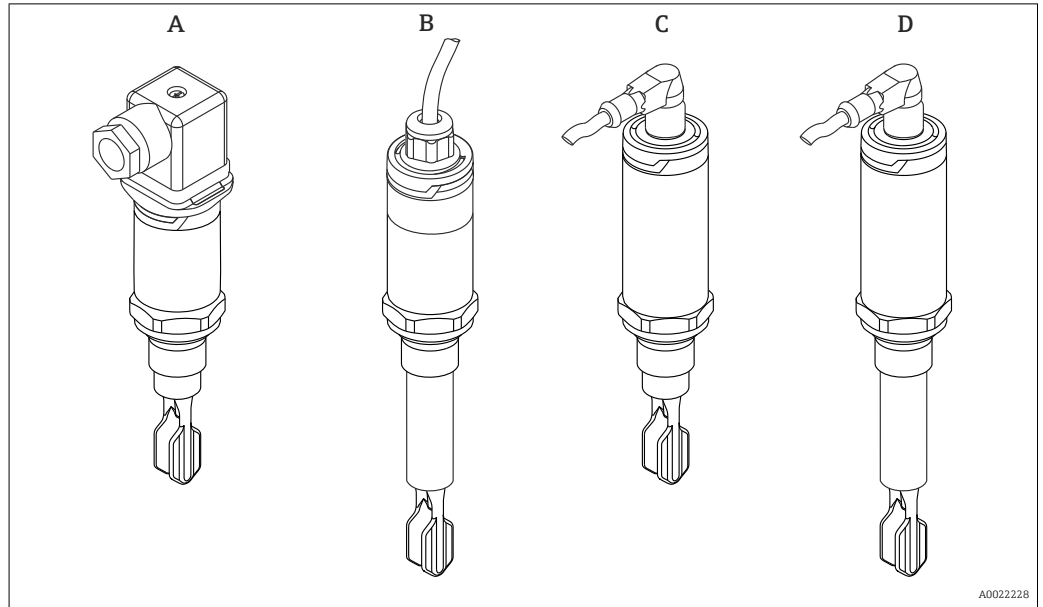
<b>Process temperature range</b>	-40 to +100 °C (-40 to +212 °F) -40 to +150 °C (-40 to +302 °F)
<b>Process pressure range</b>	Max. -1 to +40 bar (-14.5 to +580 psi)
<b>Density</b>	> 0.7 g/cm <sup>3</sup> (optionally available: > 0.5 g/cm <sup>3</sup> )
<b>State of aggregation</b>	Liquid
<b>Viscosity</b>	1 to 10 000 mPa·s, dynamic viscosity
<b>Solids contents</b>	∅ < 5 mm (0.2 in)
<b>Lateral loading capacity</b>	Lateral loading capacity of the tuning fork: maximum 200 N

## Mechanical construction

### Design


The point level switch is available in different versions, which can be assembled in accordance with user specifications.

The versions can be selected via the product structure in the Product Configurator, see the "Ordering information" section . Examples in the graphic below:



Versions	Examples			
	A	B	C	D
<b>Electrical connection</b>	Valve plug	Cable (cannot be disassembled)	M12 plug for housing cover IP66/68/69	M12 plug for housing cover IP65/67
<b>Housing (sensor design) for process temperatures up to:</b>	100 °C (212 °F) or 150 °C (302 °F)	100 °C (212 °F) or 150 °C (302 °F)	100 °C (212 °F) or 150 °C (302 °F)	100 °C (212 °F) or 150 °C (302 °F)
<b>Sensor type</b>	Compact version	Short tube version	Compact version	Short tube version

 For detailed information on the process connections, see the "Mechanical construction" -> "Sensor type" section

 For information on the short tube version, see the "Mounting" -> "Installation instructions" section

**Plug**

**Dimensions**

Dimensions mm (in)

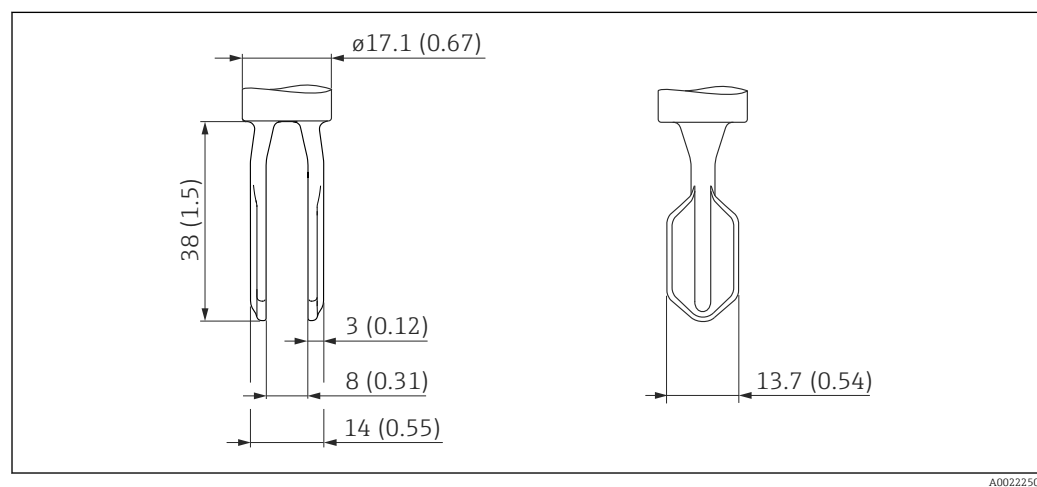
The following graphics illustrate the plugs together with the suitable housing covers on the housing of the point level switch.

Electrical connection with housing cover		Designation
<p><b>A</b></p>	<p><b>B</b></p>	<p><b>A:</b> Valve plug M16, NPT 1/2" for housing cover: PPSU plastic (IP65)</p> <p><b>B:</b> Valve plug QUICKON for housing cover: PPSU plastic (IP65)</p>
<p><b>A</b></p>	<p><b>B</b></p>	<p><b>A:</b> M12 plug for housing cover: 316L (IP66/68/69)</p> <p><b>B:</b> M12 plug for housing cover: PPSU plastic (IP65/67)</p>
		<p>Captive cable with housing cover: PPSU plastic (IP66/68)</p>

**Tuning fork**

**Dimensions**

Dimensions mm (in)



**Sensor type**

**Dimensions**

Dimensions mm (in)

The total dimensions of the device can vary depending on the plug selected.

**Information on the following tables**

- Meaning of symbols:
  - \* Dimension for process temperature max. 100 °C (212 °F)
  - \*\* Dimension for process temperature max. 150 °C (302 °F)
- If several versions have the same dimensions, one example of the compact version and one example of the short tube version is given.
- The versions in the second column refer to the process connections in the product structure.



For information on weld-in adapters, see the "Weld-in adapters, process adapters and flanges" documentation, TI00426F. → 34.

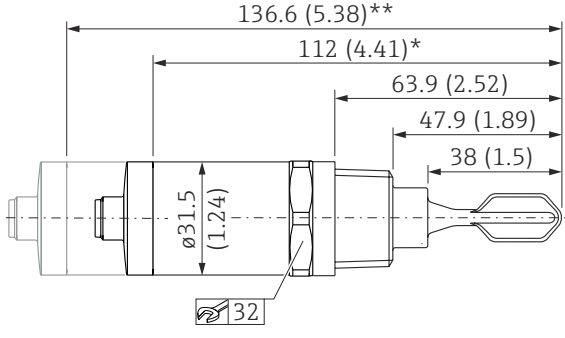
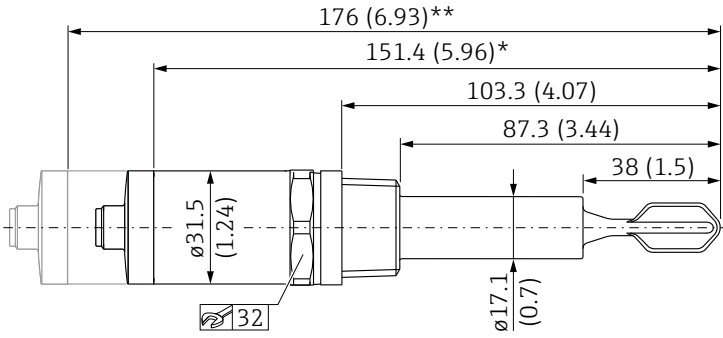
Available in the Download Area of the Endress+Hauser website ([www.endress.com/downloads](http://www.endress.com/downloads)).

Dimensions	Version	Description
<p>136.6 (5.38)**</p> <p>112 (4.41)*</p> <p>63.9 (2.52)</p> <p>38 (1.5)</p> <p>16 (0.63)</p> <p>∅31.5 (1.24)</p> <p>32</p> <p>13 Compact version, example G 1/2"</p> <p>A0021787</p>	<p>WBJ WCJ</p> <p>W5J</p>	<p><b>Thread ISO 228 G 1/2"</b></p> <p><b>Thread ISO 228 G 3/4"</b></p> <ul style="list-style-type: none"> <li>■ Material: 316L</li> <li>■ Scope of delivery: flat seal (FA)</li> <li>■ Pressure and temperature (maximum): +40 bar (+580 psi) at +150 °C (+302 °F)</li> </ul> <p><b>Thread ISO 228 G 3/4" for flush mount installation in weld-in adapter</b></p> <ul style="list-style-type: none"> <li>■ Material: 316L</li> <li>■ Scope of delivery: flat seal (FA)</li> </ul> <p>Accessory: weld-in adapter</p> <ul style="list-style-type: none"> <li>■ Scope of delivery: seal (VMQ)</li> <li>■ Pressure and temperature (maximum): +25 bar (+352 psi) at +150 °C (+302 °F) +40 bar (+580 psi) at +100 °C (+212 °F)</li> </ul> <p>The dimensions apply for G 1/2"; G 3/4" and G 3/4" for flush mount installation.</p>
<p>176 (6.93)**</p> <p>151.4 (5.96)*</p> <p>103.3 (4.07)</p> <p>38 (1.5)</p> <p>16 (0.63)</p> <p>∅31.5 (1.24)</p> <p>32</p> <p>∅17.1 (0.7)</p> <p>14 Short tube version, example G 1/2"</p> <p>A0021883</p>		

Dimensions	Version	Description
<p><b>15 Compact version</b></p> <p><b>16 Short tube version</b></p>	WDJ	<p><b>Thread ISO 228 G 1"</b></p> <ul style="list-style-type: none"> <li>Material: 316L</li> <li>Scope of delivery: flat seal (FA)</li> <li>Pressure and temperature (maximum): +40 bar (+580 psi) at +150 °C (+302 °F)</li> </ul>

Dimensions	Version	Description
<p><b>17 Compact version</b></p> <p><b>18 Short tube version</b></p>	WSJ	<p><b>Thread ISO 228 G 1"</b> <b>for flush mount installation in weld-in adapter</b></p> <ul style="list-style-type: none"> <li>Material: 316L</li> <li>Scope of delivery: flat seal (FA)</li> </ul> <p>Accessory: weld-in adapter</p> <ul style="list-style-type: none"> <li>Scope of delivery: seal (VMQ)</li> <li>Pressure and temperature (maximum): +25 bar (+362 psi) at +150 °C (+302 °F) +40 bar (+580 psi) at +100 °C (+212 °F)</li> </ul>



Dimensions	Version	Description
 <p data-bbox="845 593 901 616">A0021788</p> <p data-bbox="159 616 566 649">19 Compact version, example MNPT 3/4"</p>  <p data-bbox="845 1008 901 1030">A0021895</p> <p data-bbox="159 1030 582 1064">20 Short tube version, example MNPT 3/4"</p>	<p data-bbox="933 257 981 280">VAJ</p> <p data-bbox="933 302 981 324">VBJ</p> <p data-bbox="933 347 981 369">XBJ</p> <p data-bbox="933 392 981 414">XCJ</p>	<p data-bbox="1018 257 1252 280"><b>Thread ASME MNPT 1/2"</b></p> <p data-bbox="1018 302 1252 324"><b>Thread ASME MNPT 3/4"</b></p> <p data-bbox="1018 347 1236 369"><b>Thread EN10226 R 1/2"</b></p> <p data-bbox="1018 392 1236 414"><b>Thread EN10226 R 3/4"</b></p> <p data-bbox="1018 436 1380 481">Pressure and temperature (maximum): +40 bar (+580 psi) at +150 °C (+302 °F)</p> <p data-bbox="1018 504 1492 548">The dimensions apply for MNPT 1/2", MNPT 3/4"; R 1/2" and R 3/4".</p>

Dimensions	Version	Description
<p>A0022330</p> <p>21 Compact version, example MNPT 1"</p>	VCJ XDJ	<b>Thread ASME MNPT 1"</b> <b>Thread EN10226 R 1"</b> Pressure and temperature (maximum): +40 bar (+580 psi) at +150 °C (+302 °F) The dimensions apply for MNPT 1" and R 1".
<p>A0022331</p> <p>22 Short tube version, example MNPT 1"</p>		

**i** Pay attention to the temperature and pressure specifications for seals used at the customer site.

**i** Endress+Hauser supplies DIN/EN process connections with threaded connection in stainless steel in accordance with AISI 316L (DIN/EN material number 1.4404 or 1.4435). In terms of their stability-temperature property, the materials 1.4404 and 1.4435 are grouped in EN 1092-1 table 18 under 13E0. The chemical composition of the two materials can be identical.

Weight	Sensor type	Weight
	Compact version with process adapter G ½" and valve plug for process temperature up to 100 °C (212 °F)	Approx. 140 g (4.938 oz)
	Short tube version with process adapter G ½" and valve plug for process temperature up to 150 °C (302 °F)	Approx. 169 g (5.961 oz)

## Materials

Material specifications in accordance with AISI and DIN EN.

### Materials in contact with process

Component part	Material
Tuning fork	316L
Process adapter	316L (1.4404/1.4435)
Short tube	316L (1.4404/1.4435)
Seal for weld-in adapter with G ¾", G 1"	VMQ
Flat seal	FA (composite material based on aramid fibers combined with NBR)

*Materials not in contact with process*

Component part	Material
Housing cover with M12 plug (IP66/68/69)	316L
Housing cover with M12 plug (IP65/67)	PPSU
Housing cover with valve plug (IP65)	
Housing cover with cable (IP66/68)	
Cable gland	PVDF
Design ring	PBT/PC
Housing	316L (1.4404/1.4435)

---

**Surface roughness**

Metallic surface in contact with process:

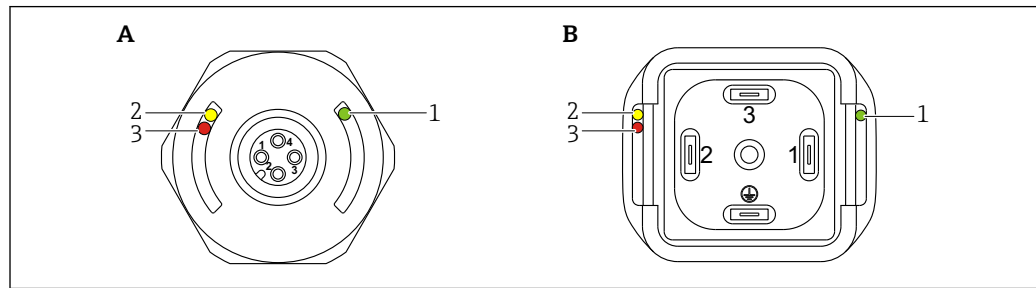
Ra ≤ 3.2 μm (126 μin)



The surface is not defined in the area of the welding seam.

## Operability

### LED display

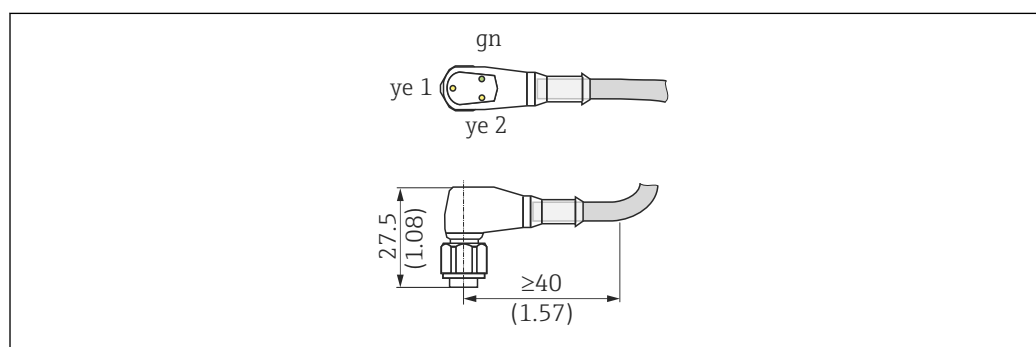


A0016856

- A M12 plug, (cable without graphic)  
 B Valve plug  
 1 Green LED (gn)  
 2 Yellow LED (ye)  
 3 LED red

Function	Description
Green LED (gn) Lit	Device is operational
Yellow LED (ye) Lit	<b>M12 plug</b> Indicates the sensor state: tuning fork is covered by liquid  <b>Valve plug / cable</b> Indicates the switching state: <ul style="list-style-type: none"> <li>▪ MAX operating mode (overflow protection): sensor is <b>not</b> covered by liquid</li> <li>▪ MIN operating mode (dry running protection): the sensor is covered by liquid</li> </ul>
LED red (rd) Flashing	Warning/maintenance required: error can be rectified, e.g. incorrect wiring; protective function if test magnet is held against the sensor for longer than 30 s
LED red (rd) Lit	Fault/device failure: error cannot be rectified, e.g. electronic error

**i** On the metal housing cover (IP69), there is no external signaling via LEDs.



A0020871

### Description of M12 plug with LED display (optional)

- LED gn: is lit when the supply voltage is applied
- LED ye 1: is lit when the sensor is covered
- LED ye 2: is lit when the sensor is **not** covered


**i** The connecting cable with an M12 plug and LED display can be optionally ordered as an accessory. See the "Accessories" section

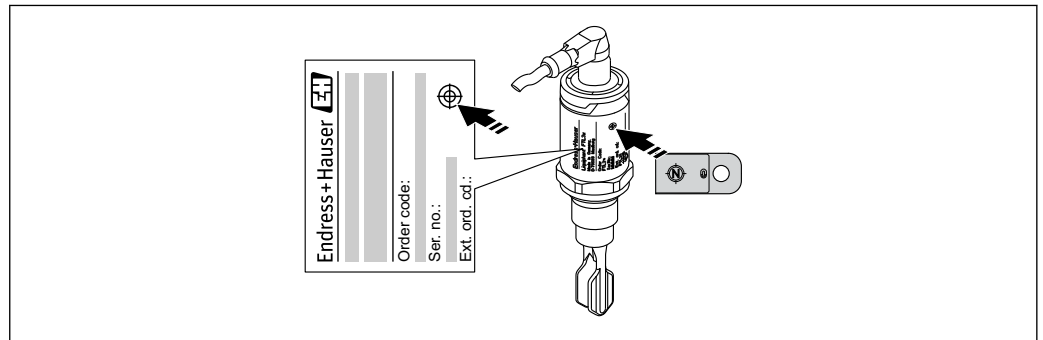
**Function test with test magnet**


Carry out a function test while the device is in operation.

- ▶ Hold the test magnet for at least 2 s against the marking on the housing.
  - ↳ This inverts the current switch status, and the yellow LED changes state. When the magnet is removed, the switch status valid at that time is adopted.

If the test magnet is held against the marking for longer than 30 s, the red LED will flash: the device returns automatically to the current switch status.


-  The test magnet is not included in the scope of delivery. It can optionally be ordered as an accessory. See the "Accessories" -> "Additional accessories" section





 23 Position for test magnet on housing

A0020960

## Certificates and approvals

 The following documents are also available in the Download Area of the Endress+Hauser website: [www.endress.com](http://www.endress.com) → Downloads.

<b>CE mark</b>	The measuring system complies with the statutory requirements of the applicable EC Directives. These are listed in the corresponding EC Declaration of Conformity together with the standards applied. Endress+Hauser confirms successful testing of the device by affixing to it the CE mark.
<b>EAC conformity</b>	The measuring system meets the legal requirements of the applicable EAC guidelines. These are listed in the corresponding EAC Declaration of Conformity together with the standards applied. Endress+Hauser confirms successful testing of the device by affixing to it the EAC mark.
<b>RCM-Tick marking</b>	The supplied product or measuring system meets the ACMA (Australian Communications and Media Authority) requirements for network integrity, interoperability, performance characteristics as well as health and safety regulations. Here, especially the regulatory arrangements for electromagnetic compatibility are met. The products are labelled with the RCM- Tick marking on the name plate.   <small>A0029561</small>
<b>Approval</b>	CSA C/US General Purpose
<b>Overfill protection</b>	 Prior to mounting the device, pay attention to the WHG approval documents. The documents are available on the Endress+Hauser website: <a href="http://www.endress.com">www.endress.com</a> → Downloads.  <b>WHG</b> <ul style="list-style-type: none"> <li>▪ Overfill detection system: Z-65.11-531</li> <li>▪ Leak detection system: Z-65.40-532</li> </ul>
<b>Marine approvals</b>	<ul style="list-style-type: none"> <li>▪ GL (Germanischer Lloyd)/ DNV (Det Norske Veritas)</li> <li>▪ ABS (American Bureau of Shipping)</li> <li>▪ LR (Lloyd's Register)</li> <li>▪ BV (Bureau Veritas)</li> </ul>
<b>CRN approval</b>	Versions with a CRN approval (Canadian Registration Number) are listed in the corresponding registration documents. CRN-approved devices are labeled with registration number 0F16950.5C on the nameplate. For further details on the maximum pressure values, see the Download Area of the Endress+Hauser website.
<b>Inspection certificates</b>	The following documents can be ordered with the device (optional): <ul style="list-style-type: none"> <li>▪ Acceptance test certificate as per EN 10204-3.1</li> <li>▪ Final inspection report</li> </ul>
<b>Manufacturer declaration</b>	The following manufacturer declarations can be ordered (optional): <ul style="list-style-type: none"> <li>▪ FDA conformity</li> <li>▪ TSE-free, materials free from animal origin</li> <li>▪ ROHS-compliant in accordance with Endress+Hauser regulation</li> </ul>
<b>Pressure Equipment Directive</b>	The device does not fall within the scope of Pressure Equipment Directive 97/23/EC as it does not have a pressurized housing as defined in Article 1, Section 2.1.4 of the directive.
<b>Other standards and guidelines</b>	The applicable European guidelines and standards can be found in the relevant EU Declarations of Conformity.

## Ordering information

### Ordering information

Detailed ordering information is available from your nearest sales organization [www.addresses.endress.com](http://www.addresses.endress.com) or in the Product Configurator under [www.endress.com](http://www.endress.com).



#### Product Configurator - the tool for individual product configuration

- Up-to-the-minute configuration data
- Depending on the device: Direct input of measuring point-specific information such as measuring range or operating language
- Automatic verification of exclusion criteria
- Automatic creation of the order code and its breakdown in PDF or Excel output format
- Ability to order directly in the Endress+Hauser Online Shop

### Services (optional)

In addition, the following services can be selected via the product structure in the Product Configurator:

- Cleaned of oil+grease
- PWIS-free (PWIS = paint-wetting impairment substances)
- Density setting  $> 0.5 \text{ g/cm}^3$
- Switching delay setting

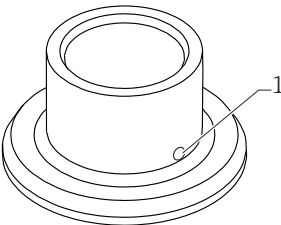
## Accessories

### Weld-in adapter

Various weld-in adapters are available for installation in vessels or pipes.



The adapters are optionally available with inspection certificate 3.1 EN10204.

View (example)	Description
 <p style="text-align: right; margin-right: 50px;">A0023557</p> <p>1 Leakage hole</p>	<b>G 3/4"</b> ø29 pipe installation ø50 vessel installation FDA-listed materials as per 21 CFR Part 175-178
	<b>G 1"</b> ø53 pipe installation ø60 vessel installation

If installed horizontally and weld-in adapters with a leakage hole are used, ensure that the leakage hole is pointing down. This allows leaks to be detected as quickly as possible.



For detailed information, see "Technical Information" TI00426F (Weld-in adapters, process adapters and flanges)

Available in the Download Area of the Endress+Hauser website ([www.endress.com/downloads](http://www.endress.com/downloads)).

### Plug-in jack, cable



The plug-in jacks listed are suitable for use in the temperature range  $-25$  to  $+70 \text{ °C}$  ( $-13$  to  $+158 \text{ °F}$ ).



#### Wire colors of M12 plug-in jacks:

1 = BN (brown), 2 = WT (white), 3 = BU (blue), 4 = BK (black)

Engineering unit mm (in)

Plug-in jack M12 IP69 with LED	Description	Order number
	<ul style="list-style-type: none"> <li>Angled</li> <li>Terminated at one end</li> <li>5 m (16 ft) PVC cable (orange)</li> <li>Slotted nut 316L</li> <li>Body: PVC (transparent)</li> </ul>	52018763

Plug-in jack M12 IP69	Description	Order number
	<ul style="list-style-type: none"> <li>Terminated at one end</li> <li>Angled</li> <li>5 m (16 ft) PVC cable (orange)</li> <li>Slotted nut 316L</li> <li>Body: PVC (orange)</li> </ul>	52024216

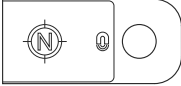
Plug-in jack M12 IP67	Description	Order number
	<ul style="list-style-type: none"> <li>Angled</li> <li>5 m (16 ft) PVC cable (gray)</li> <li>Slotted nut Cu Sn/Ni</li> <li>Body: PUR (black)</li> </ul>	52010285

Plug-in jack M12 IP67	Description	Order number
	<ul style="list-style-type: none"> <li>Self-terminated connection to M12 plug</li> <li>Slotted nut Cu Sn/Ni</li> <li>Body: PBT</li> </ul>	52006263

## Additional accessories

Socket wrench for mounting	Description	Order number
	<ul style="list-style-type: none"> <li>Hexagonal</li> <li>Size across flats AF32</li> </ul>	52010156



Test magnet	Description	Order number
 <small>A0021732</small>	Information in the "Operation" section	71267011

## Supplementary documentation



For an overview of the scope of the associated Technical Documentation, refer to the following:

- *W@M Device Viewer* ([www.endress.com/deviceviewer](http://www.endress.com/deviceviewer)): Enter the serial number from nameplate
- *Endress+Hauser Operations App*: Enter the serial number from the nameplate or scan the 2D matrix code (QR code) on the nameplate

---

### Operating Instructions Liquiphant FTL31



BA01285F

---

### Additional documentation

#### Weld-in adapters, process adapters and flanges (overview)



TI00426F

#### Weld-in adapter (installation instructions)



SD01622Z

#### Valve plug (installation instructions)



SD00356F

---

### Certificates

#### Overfill protection



ZE01010F

#### Leak



ZE01011F

---



[www.addresses.endress.com](http://www.addresses.endress.com)

---