

# Battery Holder

## Features

- RoHS and REACH compliant
- Used to contain cells when inserted into battery compartments
- Battery holder suitable for AAA batteries
- Polarity clearly marked for orientation

## Applications

- Computer memory, power backup systems
- Telecommunications
- Residential, industrial and commercial security systems
- PLC and industrial controls



## Specification

Number of Cells	2
Suitable for	2x AAA Battery
Battery Holder Type	Compartment
Connector Connection Method	Soldering

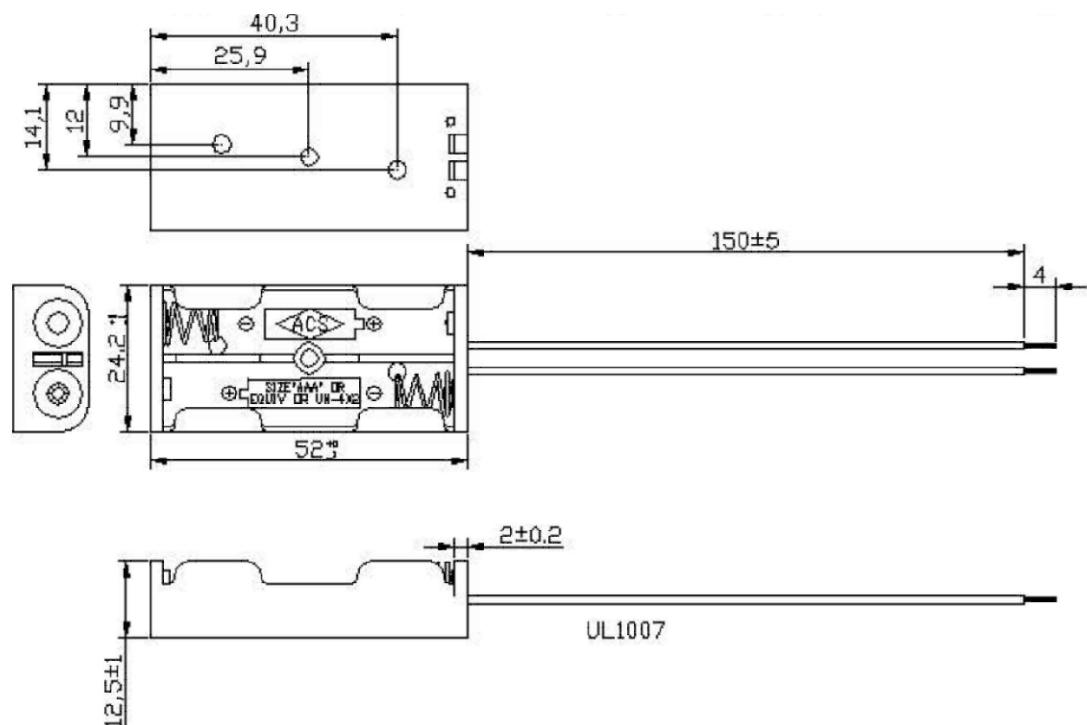
## Cable Specification

Cross-Section AWG	26 AWG
Number of Cores	2
Jacket Material	PVC
Outside Diameter	1.3 * 2.6 mm
Colour	Black / Red

## Material Specification

Wire	Tinned Copper
Contact	Nickel-Plated Copper
Body Material	PP

## Drawing



Art Nr.  
RND 305-00048