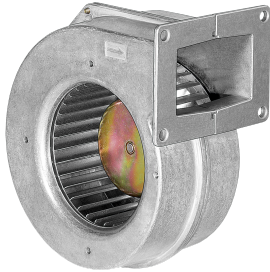


G1G120-AB67-02

EC centrifugal fan with housing (small flange)

forward curved, single inlet



ebm-papst Mulfingen GmbH & Co. KG

Bachmühle 2

74673 Mulfingen

Phone: +49 7938 81-0

Fax: +49 7938 81-110

www.ebmpapst.com

info1@de.ebmpapst.com

Nominal data

| | | |
|--------------------------|----------------------|----------|
| Type | G1G120-AB67-02 | |
| Motor | M1G055-BD | |
| Nominal voltage | [VDC] | 24 |
| Nominal voltage range | [VDC] | 16 .. 28 |
| Type of data definition | | rfa |
| Speed | [min ⁻¹] | 2200 |
| Power input | [W] | 40 |
| Current draw | [A] | 1.9 |
| Max. ambient temperature | [°C] | 60 |
| Air flow | [m ³ /h] | 250 |
| Back pressure | [Pa] | 0 |
| Sound pressure level | [dB(A)] | 61.3 |

ml = max. load · me = max. efficiency · rfa = running at free air · cs = customer specs · cu = customer unit
Subject to alterations

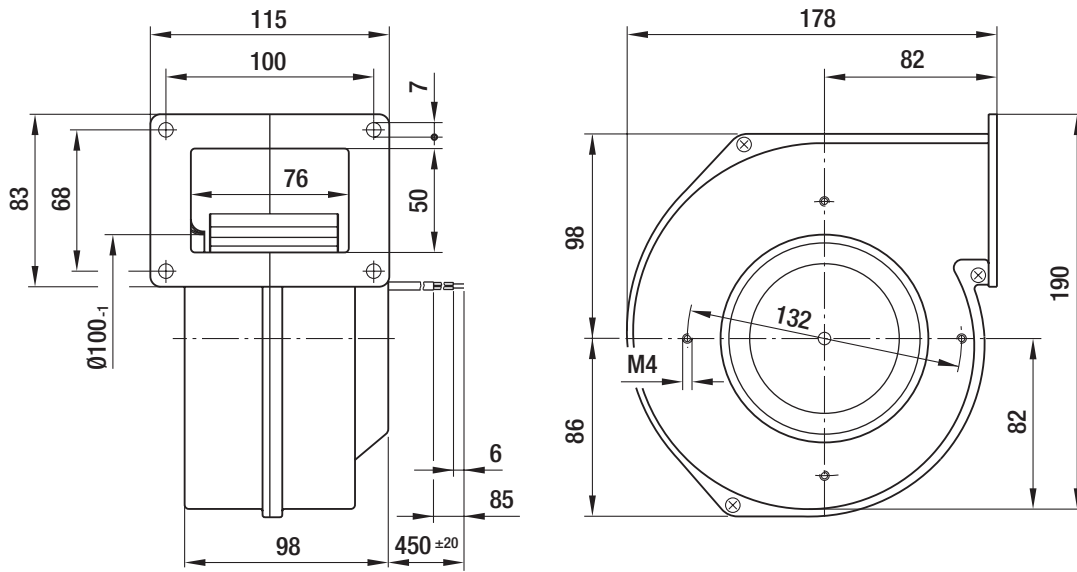
EC centrifugal fan with housing (small flange)

forward curved, single inlet

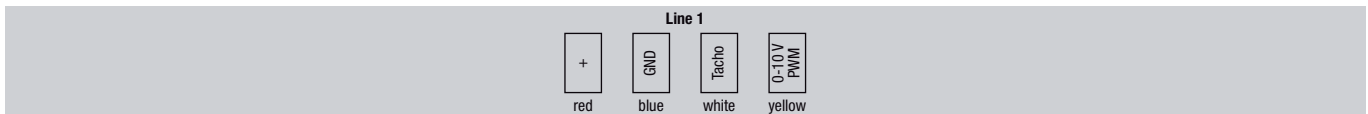
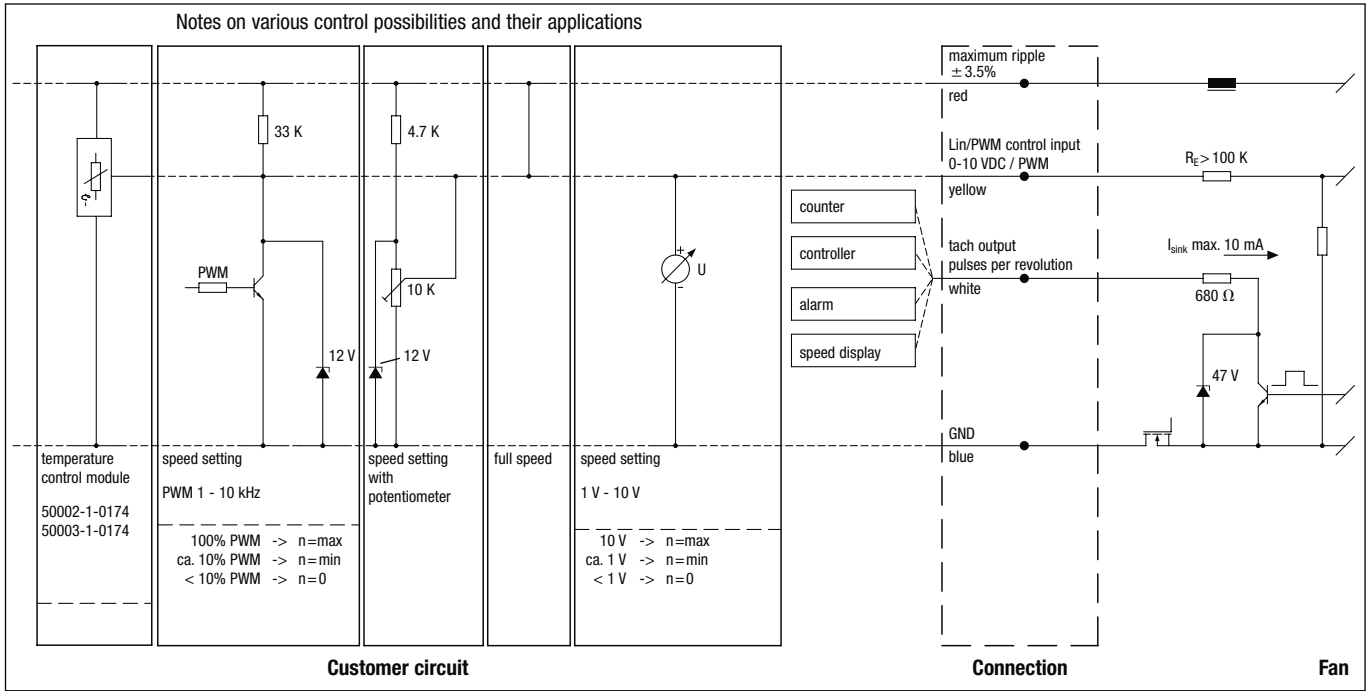
Technical features

| | |
|--|---|
| Leakage current | <= 0,25 mA |
| General description | Integrated electronics |
| Size | 120 mm |
| Operation mode | Continuous operation (S1) |
| Mounting position | Mounting position: Any; condensate discharge holes: none |
| Direction of rotation | Clockwise, seen on rotor |
| Insulation class | "B" |
| Cable exit | Axial |
| Bearing-motor | Ball bearing |
| Mass | 1.6 kg |
| Material of electronics housing | Rotor: Galvanized |
| Material of impeller | Hot-dip galvanized sheet steel |
| Motor protection | Reverse polarity and locked-rotor protection |
| Type of protection | IP 22 |
| Protection class | I |
| Technical features | Control input 0-10 VDC / PWM, tach output, polarity and locked rotor protection |
| Approval | CSA C22.2 Nr.77; UL 1004 |

Product drawing

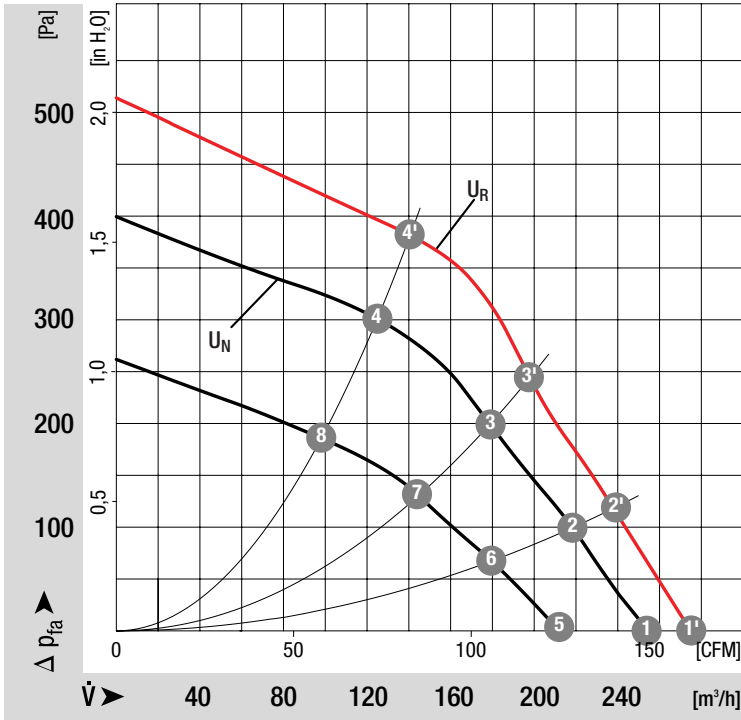


Connection screen



| Line | Signal | Colour | Assignment / function | Line | Signal | Colour | Assignment / function |
|------|--------|--------|----------------------------|------|--------------|--------|------------------------------------|
| 1 | + | red | maximum ripple $\pm 3.5\%$ | 1 | Tacho | white | Tach output: pulses per revolution |
| | GND | blue | GND | | 0-10 V / PWM | yellow | Control input |

Charts: Air flow



| | n | P ₁ | η _{TL} |
|----|----------------------|----------------|-----------------|
| | [min ⁻¹] | [W] | [%] |
| 1' | 2410 | 50 | |
| 2' | 2620 | 47 | 58 |
| 3' | 2870 | 44 | 60 |
| 4' | 3200 | 36 | 55 |
| 1 | 2200 | 40 | |
| 2 | 2410 | 36 | 59 |
| 3 | 2600 | 32 | 62 |
| 4 | 2880 | 25 | 55 |
| 5 | 1870 | 24 | |
| 6 | 1990 | 21 | 58 |
| 7 | 2100 | 18 | 61 |
| 8 | 2310 | 14 | 54 |