

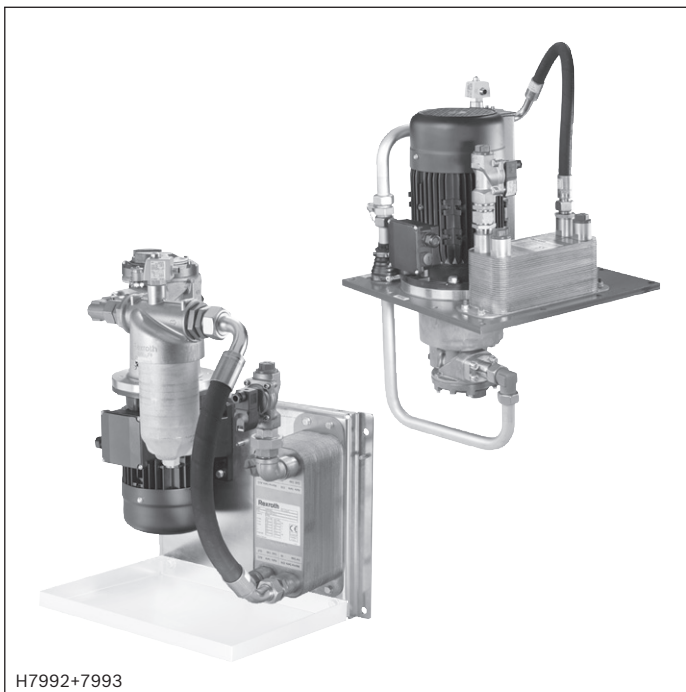
Filter cooler unit with inline filter according to DIN24550

RE 50125

Edition: 2013-04

Replaces: 50126

Type ABUGK



H7992+7993

Features

- ▶ Compact unit with pump, installed low-pressure filter and plate heat exchanger
- ▶ Modular design
- ▶ Mounting as required on a console or on installation plate
- ▶ Low-noise versions available

- ▶ Component series 4X
- ▶ With gerotor pump, external gear pump SILENCE PLUS or screw spindle pump
- ▶ With electric motors sizes 90 S to 132 S
- ▶ With low-pressure inline filter according to DIN 24550
- ▶ With plate heat exchanger
- ▶ Maximum operating pressure 10 bar

Contents

Features	1, 2
Noise guide values	2
Ordering code	3
Circuit diagram	4
Selection table of standard/preferred types ABUGK 4X	5
Technical data	6
Noise guide values	7
Cooling power characteristic curves	7, 8
Dimensions	
▶ Type ABUGK-..K... 4 and 7.5 kW (console mounting)	9
▶ Type ABUGK-..K... base (console mounting)	10
▶ Type ABUGK-..K... noise-optimized (console mounting)	11
▶ Type ABUGK-..V... 4 and 7.5 kW (tank top mounting)	12
▶ Type ABUGK-..V... base (tank top mounting)	13
▶ Type ABUGK-..V... noise-optimized (tank top mounting)	14, 15
Mounting option	16
Optional accessories and spare parts	17
Port sizes for flanges and fittings	17
Flange connections for suction line	18

Features (continued)

Application range

Any hydraulic system, in which heat is generated through power losses, requires active cooling during continuous operation.

The dissipation capacity of the tank is often not sufficient to ensure a stable heat balance during long duty cycles. Due to their compact design, these units can be mounted to the tank walls, on top of the tank or on other machine components.

The basic element is the gerotor pump. Low-noise versions are based on external gear pumps (SILENCE PLUS) or screw spindle pumps, low-pressure filters and plate heat exchangers.

General information

The units are fitted with a low-pressure filter. Electrical maintenance indicators signal when an element has to be changed.

The water consumption depends on the utilization of the power unit and the inlet temperature difference.

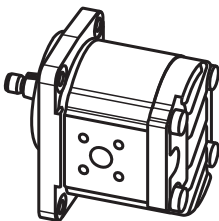
The water supply for cooling purposes is regulated by an electrically operated water valve.

Circulation units of version ABUKG-..K are optionally fitted with a collecting pan for collecting oil that is spilled during filter exchanges.

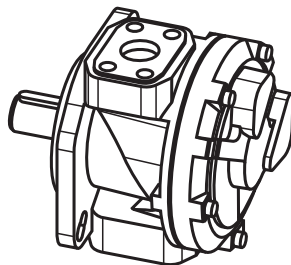
Noise guide values

Cooling power in kW ¹⁾	Base	Noise-optimized
	Sound pressure level in dB(A)	
	External gear pump SILENCE PLUS	
4	59	
7.5	59	
	Gerotor pump	Screw spindle pump
11	64	59
15	64	59
22	66	60
30	68	62
37	70	63
45	69	63
55	72	65
75	74	66

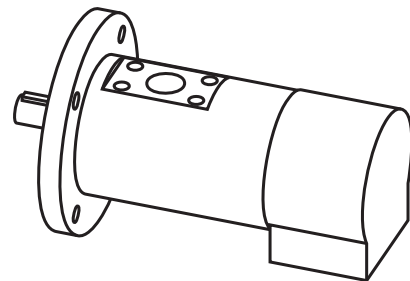
External gear pump SILENCE PLUS



Gerotor pump



Screw spindle pump



Noise levels are measured according to DIN EN ISO 11202

Accuracy class 3

Measuring distance 1 m;

Measured at 1450 min⁻¹;

with an operating temperature of $v = 50\text{ °C}$;

Hydraulic fluid: Mineral oil HLP according to DIN 51524, part 2 ¹⁾ (Characteristic curves see page 7)

Ordering code

01	02	03	04	05	06	07	08	09	10	11	12	13	14	15	16
ABUKG	-		-	4X	/		K	/		/		4	5	/	HOY

01	Filter cooler unit	ABUKG
----	--------------------	--------------

Cooling power with inlet temperature difference 35 K

02	4 ... 75 kW (characteristic curves see page 7)	04 ... 75
----	--	------------------

Design principle

03	Console mounting	K
	Tank top mounting	V

04	Component series 40 to 49 (40 to 49: Unchanged installation and connection dimensions)	4X
----	--	-----------

Heat exchanger

05	Size	0
06	Version	K
07	Number of plates	48

Pump

08	Displacement (in l/min with 1450 min ⁻¹)	
	116 l/min	116
09	Noise behavior	
	Base	B
	Noise-optimized	G

Electric motor

10	Motor power (in kW)	
	3 kW	3.00
11	Rated voltage	
	230/400V - 50 Hz	CA
	400/690V - 50 Hz	CB
12	Number of pole pairs	
	4-pole	4
13	Rated frequency	
	50 Hz	5

Filter

14	Size, inline filter DIN 24550 according to data sheet 51447	160
----	---	------------

Oil pan

15	Without oil pan	-
	With oil pan	T

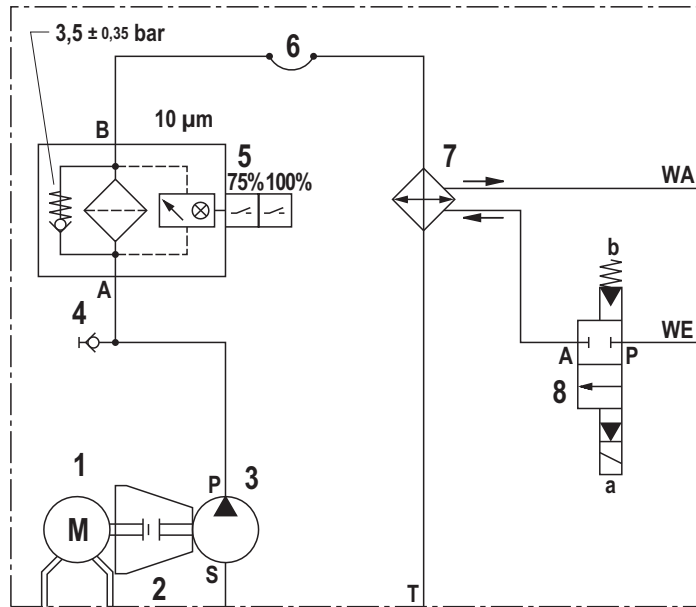
Motor supplier

16	Hoyer Motors	HOY
----	--------------	------------

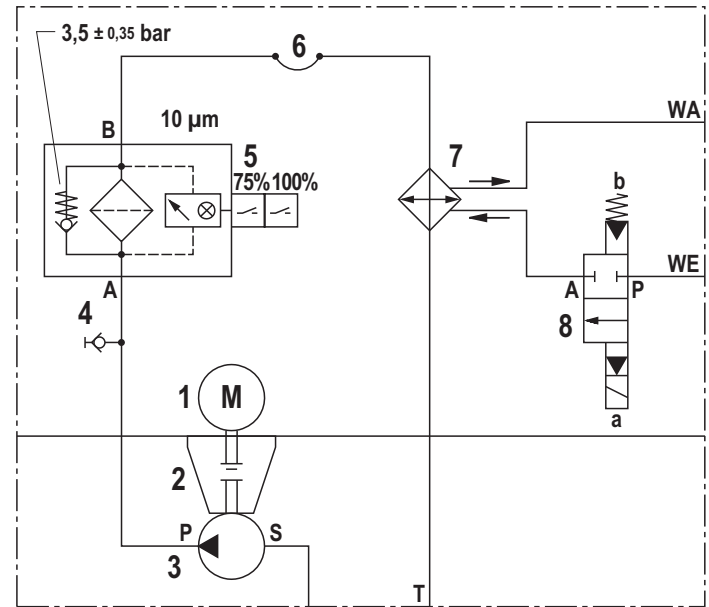
Order example:**ABUKG-37K-4X/0K48/116B/3,0CA45/160 HOY**

Circuit diagram

Type ABUKG-..K...



Type ABUKG-..V...



- 1 Electric motor
- 2 Pump carrier + coupling
- 3 Displacement pump

- 4 Pressure measuring port
- 5 Inline filter with maintenance indicator

- 6 Hose line
- 7 Oil-water heat exchanger
- 8 Electrically operated water valve

Selection table of standard/preferred types ABUGK 4X

Console mounting

Frequency		50 Hz 1450 min ⁻¹		Electric motor frame size	Power in kW	Pump	ABUGK-...K... material no (console mounting)	MKZ ²⁾	Weight in kg
Cooling power in kW ¹⁾	q_v max in l/min	p max. in bar							
4.0	17	10	90S	1.10	External gear pump SILENCE PLUS	R901337662	A2	38	
7.5	23	10	90S	1.10		R901337663	A2	39	
11.0	28	10	90L	1.50	Gerotor pump (base)	R901355119	A3	60	
15.0	46	10	100L	2.20		R901337655	A3	62	
22.0	71	10	100L	2.20		R901337656	A3	61	
30.0	88	10	100L	3.00		R901337657	A3	63	
37.0	116	10	100L	3.00		R901337658	A3	67	
45.0	88	10	100L	3.00		R901337659	A3	83	
55.0	144	10	112M	4.00		R901337660	A3	85	
75.0	186	10	132S	5.50		R901337661	A3	118	
11.0	29	10	90S	1.10		Screw spindle pump (noise-optimized)	R901355118	A2	48
15.0	38	10	90S	1.10	R901337664		A2	51	
22.0	74	10	100L	2.20	R901337665		A2	67	
30.0	89	10	100L	3.00	R901337666		A3	73	
37.0	105	10	100L	3.00	R901337667		A3	73	
45.0	105	10	100L	3.00	R901337668		A3	89	
55.0	105	10	112M	4.00	R901337669		A3	90	
75.0	166	10	132S	5.50	R901337670		A3	133	

Tank top mounting

Frequency		50 Hz 1450 min ⁻¹		Electric motor frame size	Power in kW	Pump	ABUGK-...V... material no (tank top mounting)	MKZ ²⁾	Weight in kg
Cooling power in kW ¹⁾	q_v max in l/min	p max. in bar							
4.0	17	10	90S	1.10	External gear pump SILENCE PLUS	R901338099	A3	47	
7.5	23	10	90S	1.10		R901338103	A3	47	
11.0	28	10	90L	1.50	Gerotor pump (base)	R901355121	A3	75	
15.0	46	10	100L	2.20		R901338092	A3	79	
22.0	71	10	100L	2.20		R901338093	A3	77	
30.0	88	10	100L	3.00		R901338094	A3	82	
37.0	116	10	100L	3.00		R901338095	A3	86	
45.0	88	10	100L	3.00		R901338096	A3	101	
55.0	144	10	112M	4.00		R901338097	A3	117	
75.0	186	10	132S	5.50		R901338098	A3	141	
11.0	29	10	90S	1.10		Screw spindle pump (noise-optimized)	R901355120	A3	60
15.0	38	10	90S	1.10	R901338104		A3	63	
22.0	74	10	100L	2.20	R901338105		A3	80	
30.0	89	10	100L	3.00	R901338106		A3	92	
37.0	105	10	100L	3.00	R901338107		A3	91	
45.0	105	10	100L	3.00	R901338108		A3	108	
55.0	105	10	112M	4.00	R901338109		A3	132	
75.0	166	10	132S	5.50	R901338111		A3	156	

1) Cooling power with inlet temperature difference of approx. 35 K
(characteristic curves see page 7)

A2 = Preferred delivery range

A3 = Standard delivery range

2) MKZ = material mark

Technical data

(for applications outside these parameters, please consult us!)

Line connections (see page 17)	▶ Oil side	Connection thread according to ISO 1179 Pipe connections according to DIN 2353 / ISO 8434 Flanges according to ISO 6162	
	▶ Water side	Thread according to ISO 228/1	
Type of piping	Fitting according to DIN 2353 light / heavy series For ABUGG-V: Precision steel pipes According to DIN 2391/C, DIN EN ISO 1127		
Hydraulic fluids	Mineral oil HLP46 according to DIN 51524, part 2 (other hydraulic fluids upon request) Please observe our specifications and data sheet 90220.		
Hydraulic fluid temperature range	°C	25 ... 80; for other temperatures please consult us	
Installation position	Vertical		
Coolant	Potable, process, stream and river water (filtration recommended) Min. cooling water need: $V_K = 0.5 \times V_{oil}$ [l/min] (min. 0.1 bar at water valve) Heating (H ₂ O): $\Delta v = 14 \times \text{power loss (kW)} / V_K$ [°K]		
Adm. operating pressures at inlet (absolute)	▶ Oil side	– Gerotor pump	bar 0.7 ... 2 (short-time, upon start 0.5 bar)
		– Screw spindle pump	bar 0.3 ... 4
		– External gear pump SILENCE PLUS	bar 0.7 ... 3
		– p_{max}	bar 10
	▶ Water side		bar 16 (at least 3 ... 5 bar)
Motor voltage /	▶ 4 ... 45 kW cooling power (motor 90S-100L)	230/400 V – 50 Hz	
frequency	▶ 55 ... 75 kW cooling power (motor 112M-132S)	400/690 V – 50 Hz	
Direction of rotation of pump	Clockwise		
Water valve	Type ABZAW-G1-G24K4 according 50235 (included in the scope of delivery)		
Cleanliness classes according to ISO code	Maximum admissible degree of contamination of the hydraulic fluid according to ISO 4406 (c) and according to the pump type used. At least cleanliness class 20/18/15 must be achieved.		
Filter rating	µm	10 (further ratings on request)	
Surface protection	By default, all steel components and components are at least provided with temporary corrosion protection (e.g. for transport).		

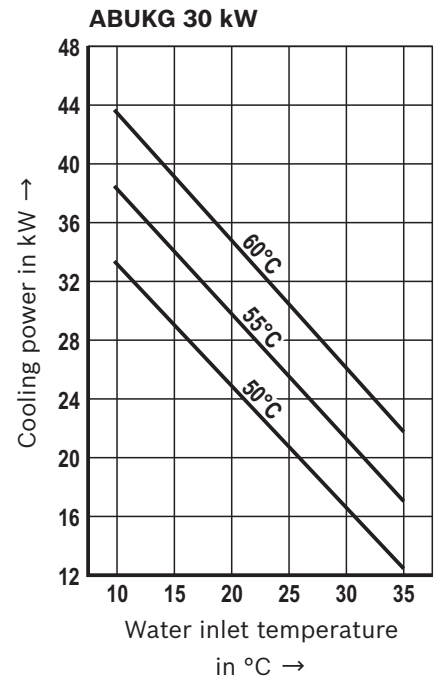
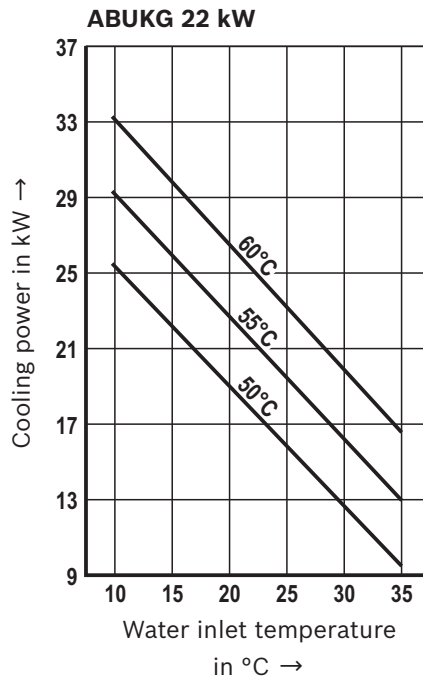
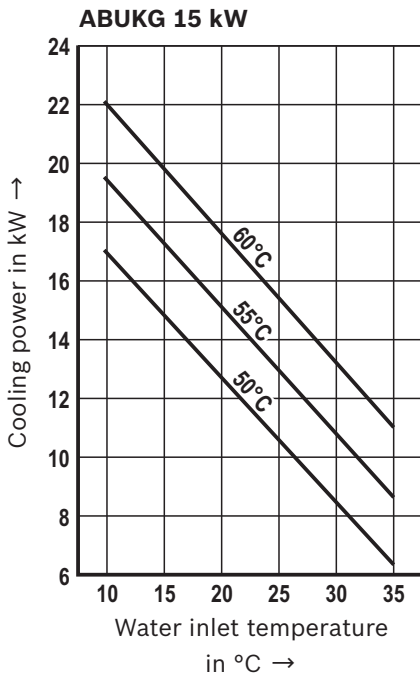
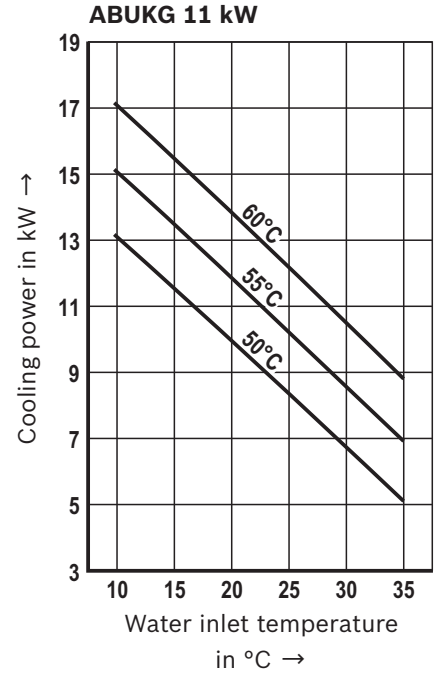
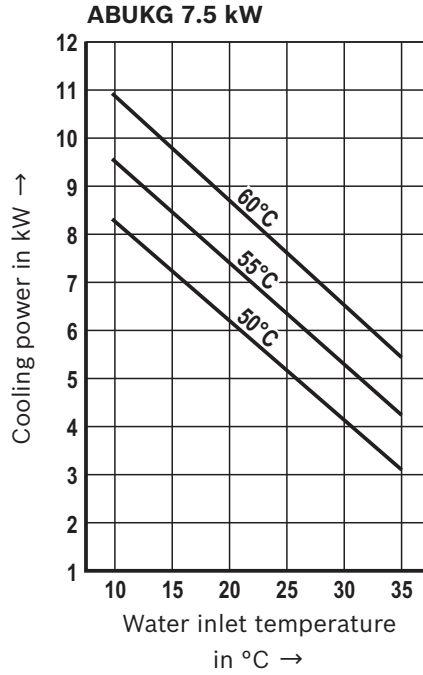
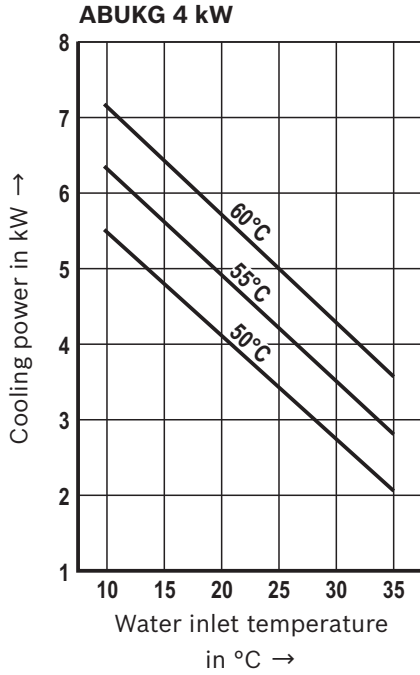
For assembly, commissioning and maintenance of oil hydraulic systems please observe the data sheet 07900!

Further data sheets: **AB 32-12 Heat exchanger oil/water system: Plate heat exchanger**
51447 Inline filter with filter element according to DIN 24550
10545 Gerotor pump PGZ
10094 External gear pump SILENCE PLUS

The units are designed and manufactured in accordance with the harmonized EN standards / specifications.

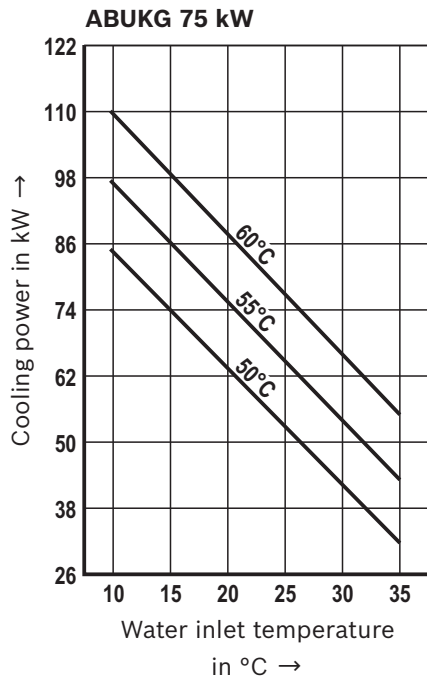
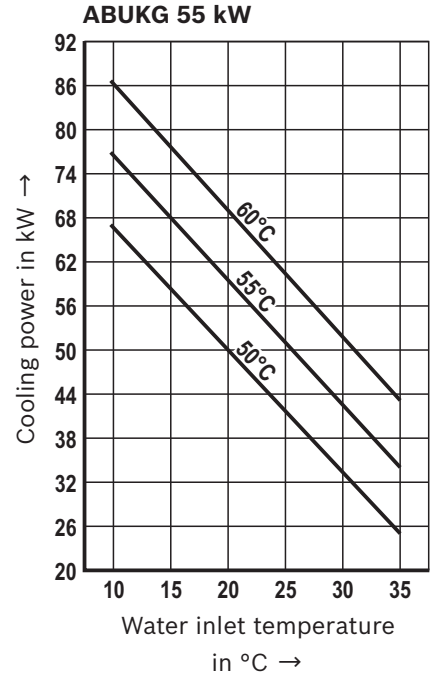
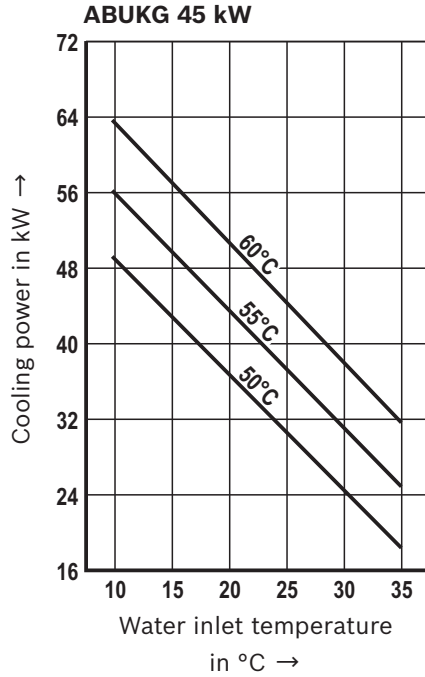
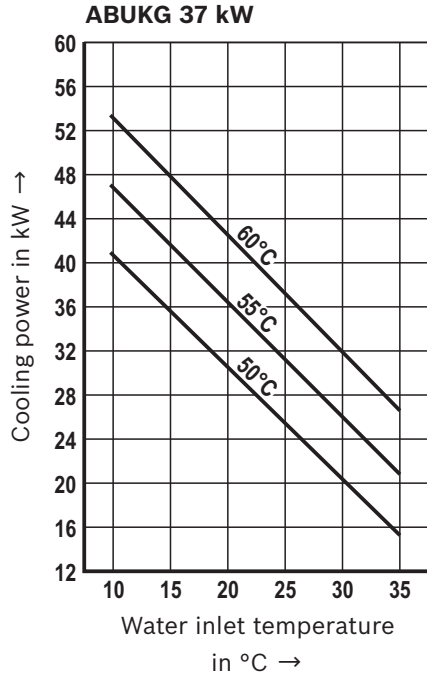
Cooling power characteristic curves

The cooling powers of the individual units differ depending on the water and oil inlet temperatures. The selected oil inlet temperatures were 50, 55 and 60 °C.

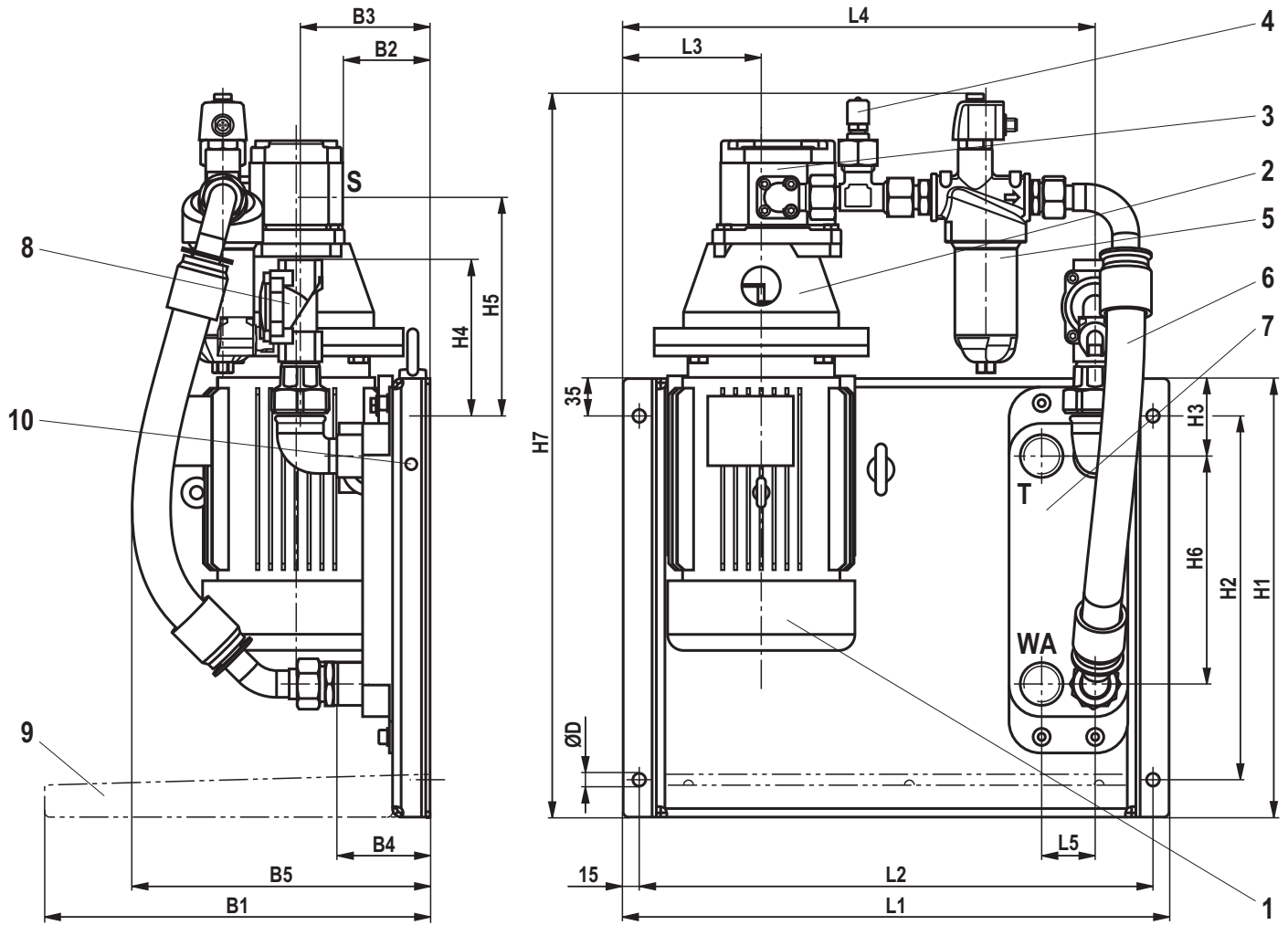


Cooling power characteristic curves

The cooling powers of the individual units differ depending on the water and oil inlet temperatures. The selected oil inlet temperatures were 50, 55 and 60 °C.



Dimensions: Type ABUKG-..K... 4 and 7.5 kW (dimensions in mm)



- 1 Electric motor
- 2 Pump carrier + coupling
- 3 Silence Plus pump
- 4 Pressure measuring port
- 5 Inline filter with maintenance indicator
- 6 Hose line
- 7 Oil-water heat exchanger
- 8 Electrically operated water valve
- 9 Oil pan (optional)
- 10 Equipotential bonding

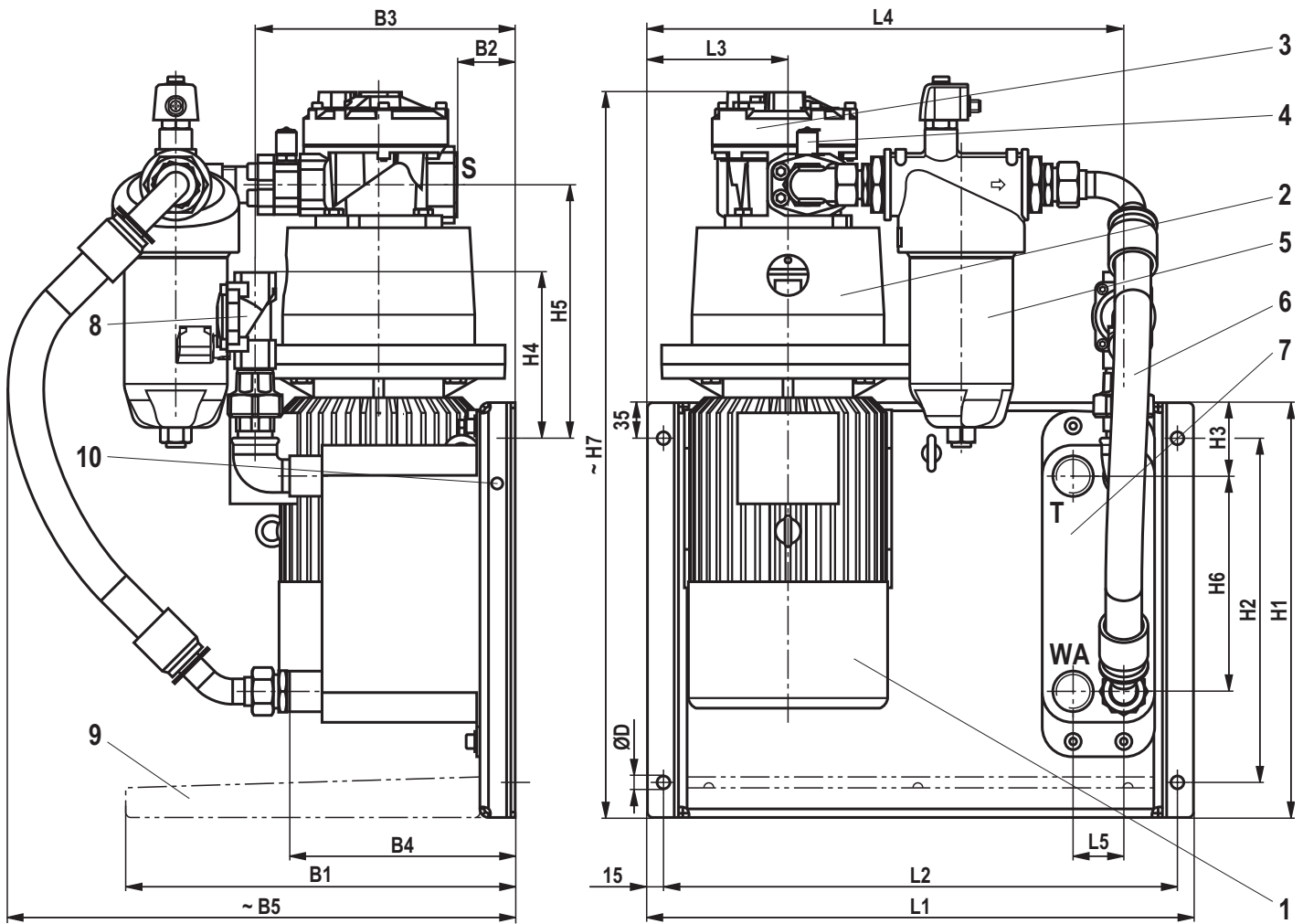
Cooling power in kW	Dimensions																	
	L1	L2	L3	L4	L5	B1	B2	B3	B4	B5	H1	H2	H3	H4	H5	H6	H7	D1
4	510	480	129	441	50	385	81.5	118	87	300	410	340	72.5	146	205	213	700	12
7.5	510	480	129	441	50	385	81.5	122	111	350	410	340	72.5	146	209	213	700	12

Port sizes S, T, WE and WA see page 17 bottom.

Tolerances according to:

- ▶ General tolerances ISO 2768-mK
- ▶ Tolerancing principle ISO 8015

Dimensions: Type ABUKG-..K... base (dimensions in mm)



- | | | | |
|---------------------------|--|-------------------------------------|--------------------------|
| 1 Electric motor | 4 Pressure measuring port | 6 Hose line | 9 Oil pan (optional) |
| 2 Pump carrier + coupling | 5 Inline filter with maintenance indicator | 7 Oil-water heat exchanger | 10 Equipotential bonding |
| 3 Gerotor pump | | 8 Electrically operated water valve | |

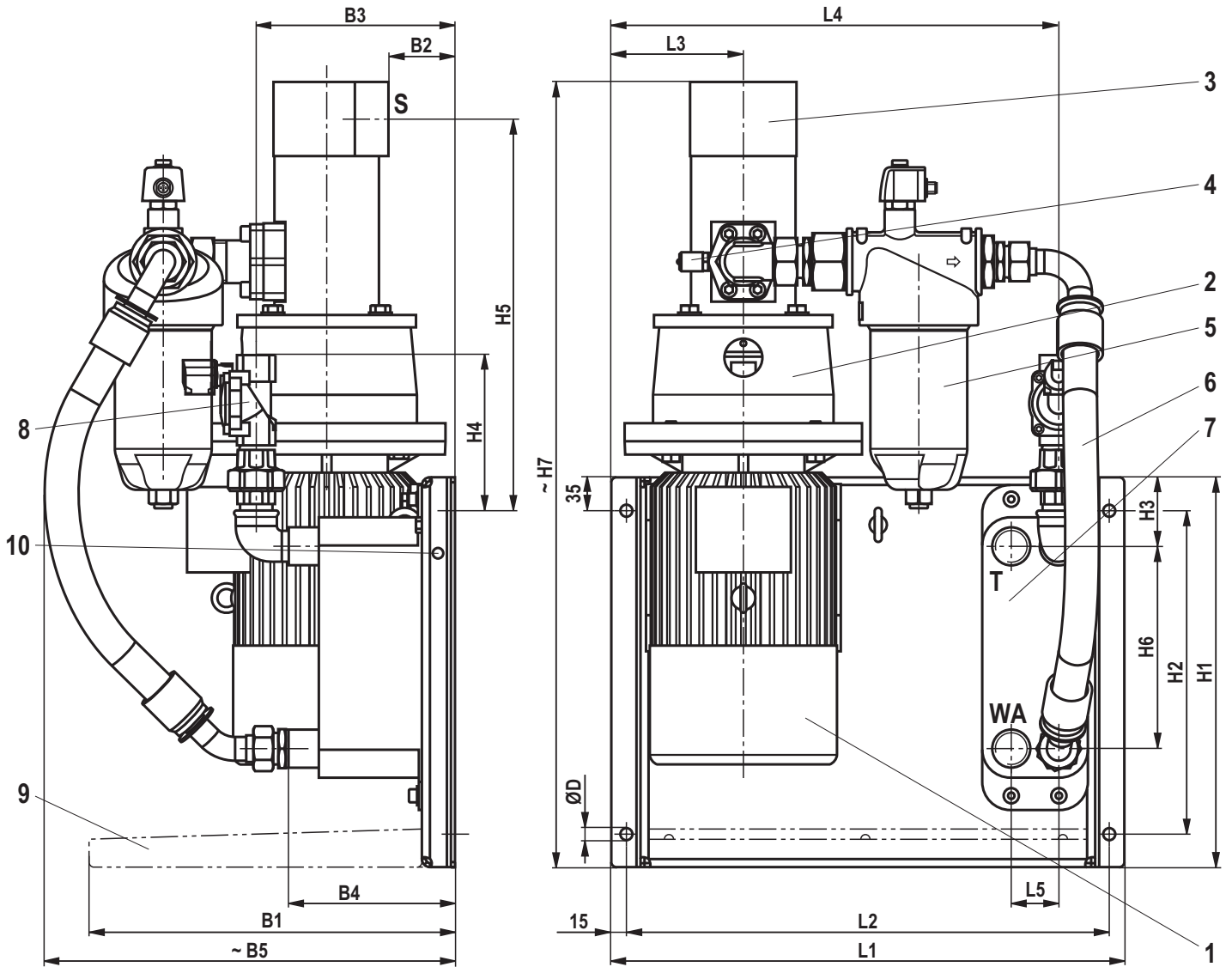
Cooling power in kW	Dimensions																	
	L1	L2	L3	L4	L5	B1	B2	B3	B4	B5	H1	H2	H3	H4	H5	H6	H7	D1
11	510	480	129	471	50	385	58	195	159	500	410	340	72.5	146	250.5	213	740	12
15	510	480	129	441	50	385	58	226	191	500	410	340	72.5	146	250.5	213	740	12
22	540	510	139	471	50	385	58	210	175	500	410	340	72.5	164	250.5	213	740	12
30	540	510	139	471	50	385	58	258	223	550	410	340	72.5	164	250.5	213	740	12
37	540	510	139	471	50	385	58	258	223	550	410	340	72.5	164	250.5	213	740	12
45	710	680	144	630	94	395	70	297	247	600	550	480	79	159	235.5	309	850	14
55	710	680	149	630	94	395	84	317	271	600	550	480	79	159	242.5	309	870	14
75	710	680	172	630	94	395	105	345	295	650	550	480	79	159	282.5	309	920	14

Port sizes S, T, WE and WA see page 17 bottom.

Tolerances according to:

- ▶ General tolerances ISO 2768-mK
- ▶ Tolerancing principle ISO 8015

Dimensions: Type ABUKG-..K... noise-optimized (dimensions in mm)



- 1 Electric motor
- 2 Pump carrier + coupling
- 3 Screw spindle pump
- 4 Pressure measuring port
- 5 Inline filter with maintenance indicator
- 6 Hose line
- 7 Oil-water heat exchanger
- 8 Electrically operated water valve
- 9 Oil pan (optional)
- 10 Equipotential bonding

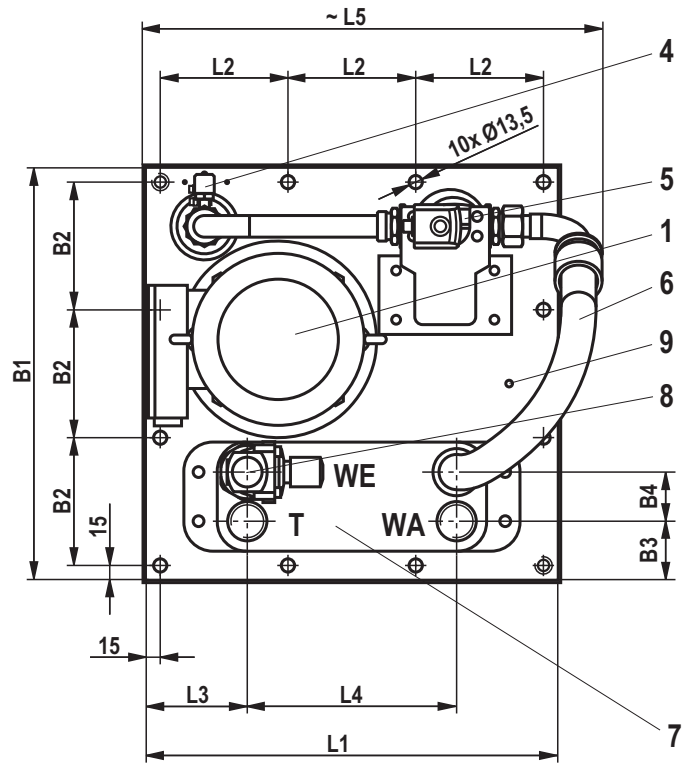
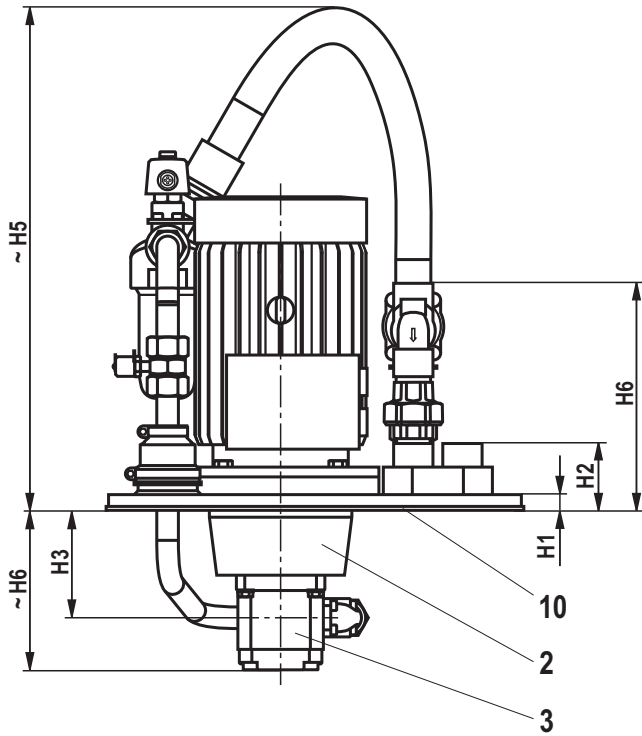
Cooling power in kW	Dimensions																	
	L1	L2	L3	L4	L5	B1	B2	B3	B4	B5	H1	H2	H3	H4	H5	H6	H7	D1
11	510	480	129	471	50	385	70	195	159	500	410	340	72.5	146	360	213	770	12
15	540	480	129	441	50	385	70	226	191	500	410	340	72.5	164	360	213	770	12
22	540	510	139	471	50	385	70	210	175	500	410	340	72.5	164	412.5	213	827	12
30	540	510	139	471	50	385	50	258	223	550	410	340	72.5	164	486.5	213	907	12
37	540	510	139	471	50	385	51.5	258	223	550	410	340	72.5	164	486	213	907	12
45	710	680	144	630	94	395	61.5	297	247	600	550	480	79	159	471	309	1032	14
55	710	680	149	630	94	395	73.5	317	271	600	550	480	79	159	478	309	1039	14
75	710	680	172	630	94	395	82	345	295	650	550	480	79	159	539.5	309	1007	14

Port sizes S, T, WE and WA see page 17 bottom.

Tolerances according to:

- ▶ General tolerances ISO 2768-mK
- ▶ Tolerancing principle ISO 8015

Dimensions: Type ABUKG-..V... 4 and 7.5 kW (dimensions in mm)



- | | | | |
|----------------------------------|---|--|--|
| 1 Electric motor | 4 Pressure measuring port | 6 Hose line | 9 Equipotential bonding |
| 2 Pump carrier + coupling | 5 Inline filter with maintenance indicator | 7 Oil-water heat exchanger | 10 Cork seal according to AB03333 |
| 3 Silence Plus pump | | 8 Electrically operated water valve | |

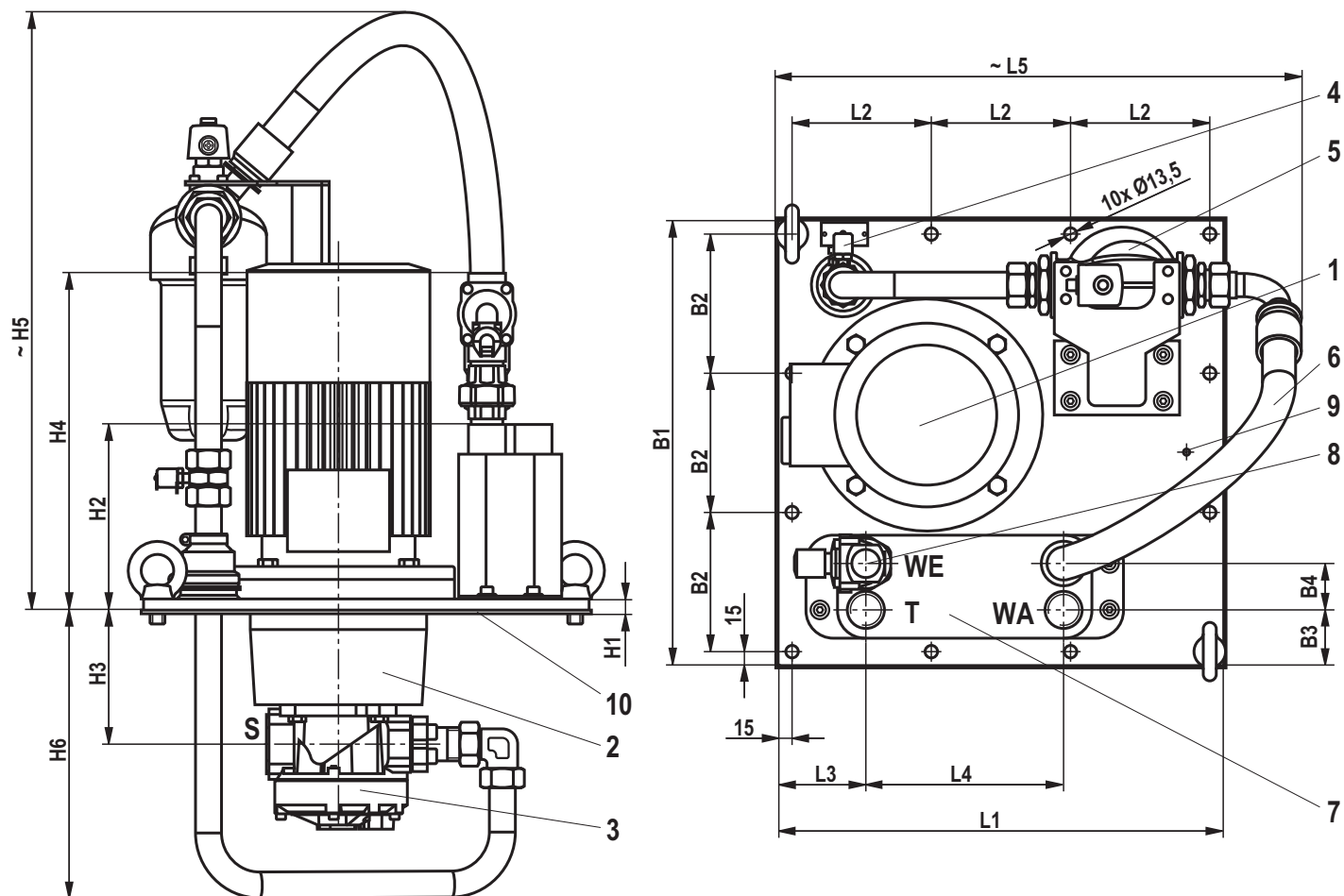
Cooling power in kW	Dimensions														
	L1	L2	L3	L4	L5	B1	B2	B3	B4	H1	H2	H3	H4	H5	H6
4	420	130	103.5	213	500	420	130	60	50	16	68	109.5	231	550	163
7.5	420	130	103.5	213	500	420	130	60	50	16	92	113.5	255	600	170

Port sizes S, T, WE and WA see page 17 bottom.

Tolerances according to:

- ▶ General tolerances ISO 2768-mK
- ▶ Tolerancing principle ISO 8015

Dimensions: Type ABUKG-..V... base (dimensions in mm)



- 1 Electric motor
- 2 Pump carrier + coupling
- 3 Gerotor pump
- 4 Pressure measuring port
- 5 Inline filter with maintenance indicator
- 6 Hose line
- 7 Oil-water heat exchanger
- 8 Electrically operated water valve
- 9 Equipotential bonding
- 10 Cork seal according to AB03333

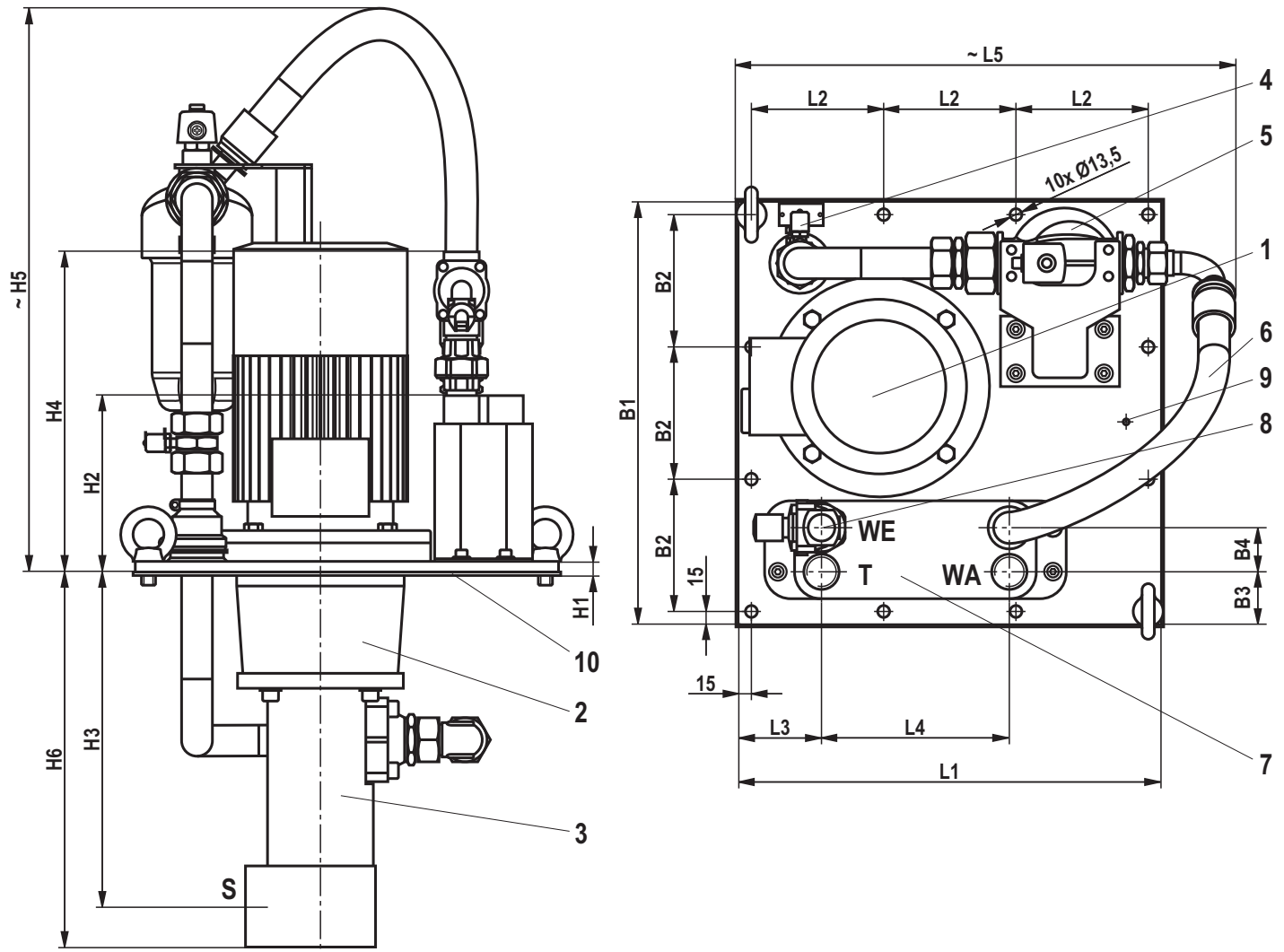
Cooling power in kW	Dimensions														
	L1	L2	L3	L4	L5	B1	B2	B3	B4	H1	H2	H3	H4	H5	H6
11	420	130	103.5	213	550	420	130	60	50	16	172	140.5	335	650	320
15	420	130	103.5	213	550	420	130	60	50	16	172	140.5	335	650	320
22	480	150	94.5	213	600	480	150	60	50	16	156	140.5	318	650	320
30	480	150	94.5	213	600	480	150	60	50	16	204	140.5	367	650	320
37	480	150	94.5	213	600	480	150	60	50	16	244	140.5	407	750	320
45	570	180	116	309	700	570	180	64	94	16	194	140.5	372	750	320
55	570	180	116	309	700	570	180	64	94	16	242	140.5	420	850	350
75	630	200	126	309	700	630	200	71	94	16	266	159.5	444	950	400

Port sizes S, T, WE and WA see page 17 bottom.

Tolerances according to:

- ▶ General tolerances ISO 2768-mK
- ▶ Tolerancing principle ISO 8015

Dimensions: Type ABUKG-..V... noise-optimized (dimensions in mm)

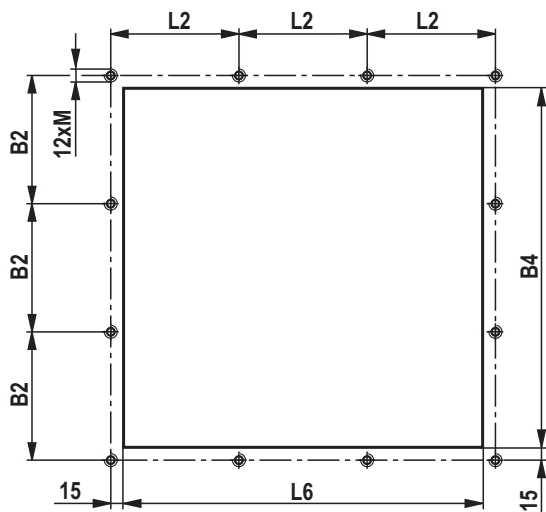


- 1 Electric motor
- 2 Pump carrier + coupling
- 3 Screw spindle pump
- 4 Pressure measuring port
- 5 Inline filter with maintenance indicator
- 6 Hose line
- 7 Oil-water heat exchanger
- 8 Electrically operated water valve
- 9 Equipotential bonding
- 10 Cork seal according to AB03333

Cooling power in kW	Dimensions														
	L1	L2	L3	L4	L5	B1	B2	B3	B4	H1	H2	H3	H4	H5	H6
11	420	130	103.5	213	550	420	130	60	50	16	172	260	335	650	294
15	420	130	103.5	213	550	420	130	60	50	16	172	260	335	650	294
22	480	150	94.5	213	600	480	150	60	50	16	156	302	318	650	341
30	480	150	94.5	213	600	480	150	60	50	16	204	376.5	367	650	421.5
37	480	150	94.5	213	600	480	150	60	50	16	244	376	407	750	421.5
45	570	180	116	309	700	570	180	64	94	16	194	376	372	750	421.5
55	570	180	116	309	700	570	180	64	94	16	242	376	420	850	421.5
75	630	200	126	309	700	630	200	71	94	16	266	419.5	444	950	469

Dimensions: Type ABUKG-..V... noise-optimized (dimensions in mm)

Recommended tank break-through for ABUKG-..V-...



Port sizes S, T, WE and WA see page 17 bottom.

Tolerances according to:

- ▶ General tolerances ISO 2768-mK
- ▶ Tolerancing principle ISO 8015

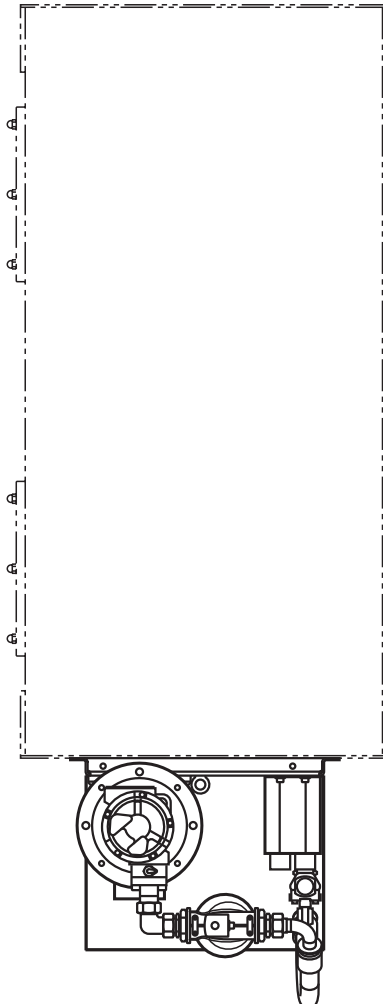
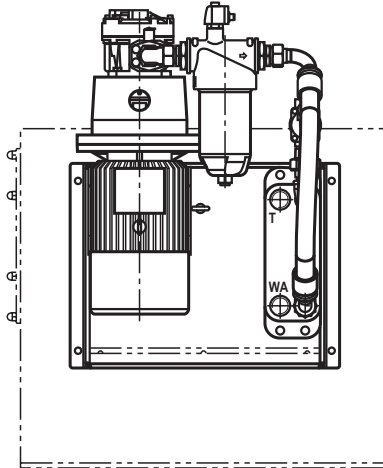
Cooling power in kW	Dimensions				
	L2	L6	B2	B5	M
4 / 7.5 / 11 / 15 ¹⁾	130	360	130	360	M12
15 ²⁾ / 22 / 30 / 37	150	420	150	420	M12
45 / 55	180	510	180	510	M12
75	200	570	200	570	M12

1) Noise-optimized

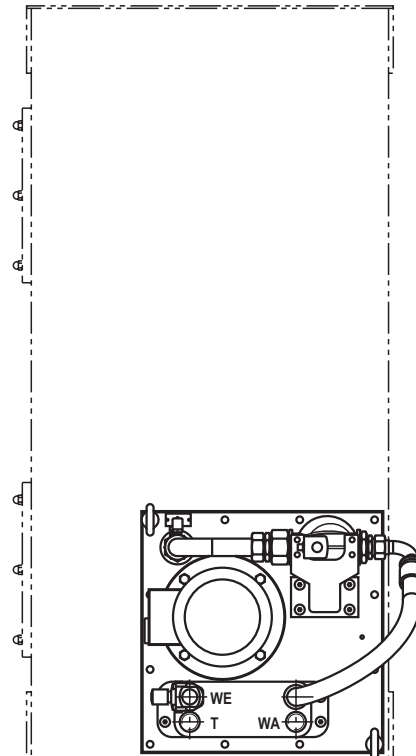
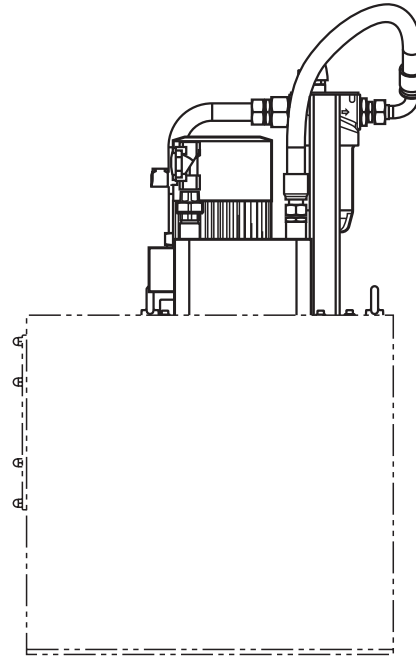
2) Base

Mounting option

The filter cooler unit version **ABUKG-..K-...** is to **be mounted preferably to the side** of a hydraulic tank. It may also be mounted separately.



The filter cooler unit version **ABUKG-..V-...** is to **be mounted preferably on top** of a hydraulic tank. It cannot be mounted separately without an appropriate bracket.



Optional accessories and spare parts

Suction port

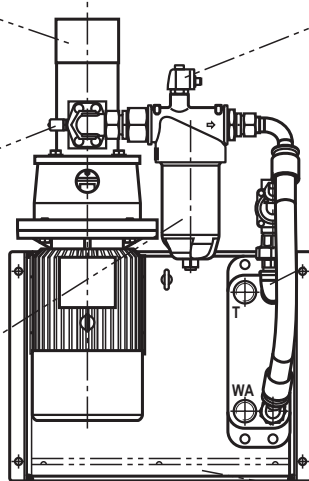
Flange connections for suction line
(see page 18)

Measuring port

Pressure gauge data sheet 50205
DC-FS measurement technology data sheet 51501

Filters and filter elements

(included in the scope of delivery)
Data sheet 51447



Maintenance indicator

Electronic switching element
Data sheet 51450 (included in the scope of delivery)
Mating connectors data sheet 08006

Water on

Pressure gauge data sheet 50205
DC-FS measurement technology data sheet 51501
Isolator valve data sheet 50235 (included in the scope of delivery)
Dirt trap AB 42-25

Oil pan

4 - 15 ¹⁾ kW	R901343957
15 ²⁾ - 37 kW	R901343958
45 - 75 kW	R901343959

Port sizes for flanges and fittings

Cooling power in kW	Type ABUKG-.. base				Type ABUKG-.. noise-optimized			
	Suction port S	Oil outlet T	Water on WE	Water off WA	Suction port S	Oil outlet T	Water on WE	Water off WA
4	-	-	-	-	Square flange 20X40 M6x13	G1	G1	G1
7.5	-	-	-	-				
11	SAE 1 1/2"	G1	G1	G1	SAE 1 1/4"	G1 1/2	G1 1/2	G1 1/2
15					SAE 1 1/2"			
22								
30								
37								
45					SAE 2"			
55	SAE 2"	G1 1/2	G1 1/2	G1 1/2	SAE 2 1/2"	G1 1/2	G1 1/2	G1 1/2
75								

¹⁾ Noise-optimized

²⁾ Base

Flange connections for suction line (dimensions in mm)

Figure 1

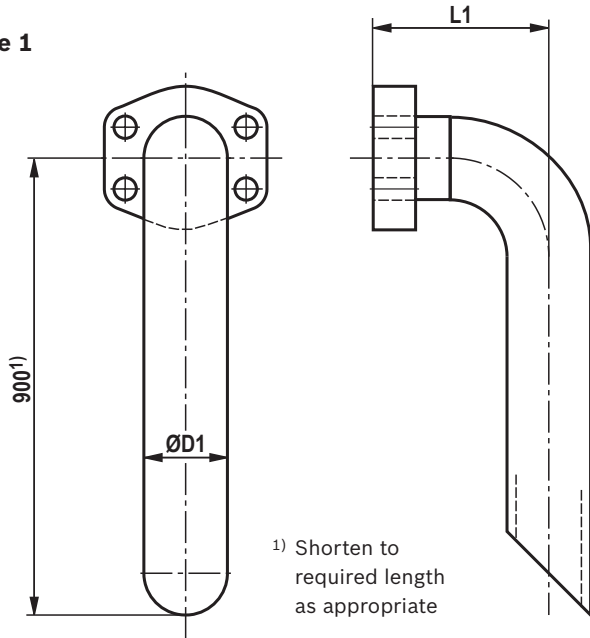


Figure 2

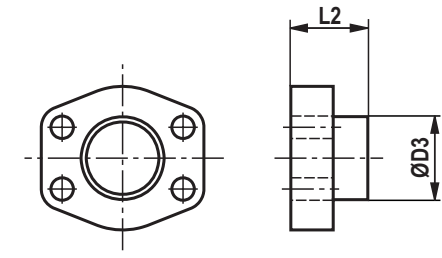
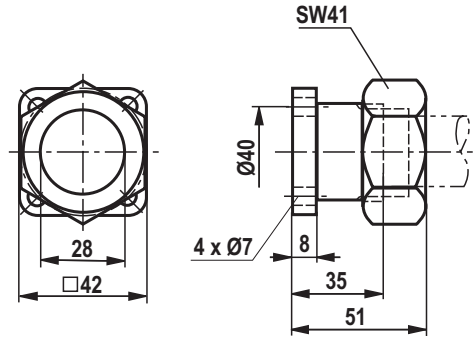


Figure 3



ABUKG-..K-...

Cooling power in kW	Material no.	Base		Noise-optimized			Figure
		L1	ØD1	Material no.	L1	ØD1	
4	R900323237	-	-	-	-	-	3
7.5							
11	R900026561	103.5	48.3	R900722888	100	42	1
15				R900026561	103.5	48.3	
22							
30							
37							
45	R900026562	123	60.3				
55							
75							
	R900026562	123	60.3	R900026563	147	76.1	

ABUKG-..V-...

Cooling power in kW	Material no.	Base		Noise-optimized			Figure
		L2	ØD2	Material no.	L2	ØD2	
4	R900323237	-	-	-	-	-	3
7.5							
11	R900013501	57	42	R900012341	41	42	2
15				R900013501	57	42	
22							
30							
37							
45	R900013502	42	60.3				
55							
75							
	R900013502	42	60.3	R901013503	50	77	

Bosch Rexroth AG
 Hydraulics
 Zum Eisengießer 1
 97816 Lohr am Main, Germany
 Phone +49 (0) 93 52/18-0
 documentation@boschrexroth.de
 www.boschrexroth.de

© This document, as well as the data, specifications and other information set forth in it, are the exclusive property of Bosch Rexroth AG. It may not be reproduced or given to third parties without its consent.
 The data specified above only serve to describe the product. No statements concerning a certain condition or suitability for a certain application can be derived from our information. The information given does not release the user from the obligation of own judgment and verification.
 It must be remembered that our products are subject to a natural process of wear and aging.