

Directional spool valves, direct operated, with solenoid actuation

Type FTWE 4 K

RE 58008

Edition: 2014-07

Replaces: 06.99



H7978

- ▶ Size 4
- ▶ Component series 1X
- ▶ Maximum operating pressure 210 bar
- ▶ Maximum flow 7 l/min

Features

- ▶ 3/2-way version
- ▶ Screw-in cartridge valve
- ▶ Minimized size
- ▶ Wet-pin DC solenoid
- ▶ Electrical connection as individual connection
- ▶ With manual override
- ▶ For use in vehicles and mobile machines

Contents

Features	1
Ordering code, valve types	2
Function, section, symbol	3
Technical data	4, 5
Characteristic curves	5
Dimensions	6
Mounting cavity	7
Available individual components	8
More information	8

Ordering code (valve without coil) ¹⁾

01 02 03 04 05 06 07 08 09 10 11

FTWE	4	K		1X	/	210	A			V	*
-------------	----------	----------	--	-----------	----------	------------	----------	--	--	----------	----------

01	Directional spool valve, non-standard design, electric actuation	FTWE
02	Size 2	4
03	Screw-in cartridge valve	K
04	Switching characteristics (more on request)	C
05	Component series 10 ... 19 (10 ... 19; unchanged installation and connection dimensions)	1X
06	Maximum nominal pressure 210 bar	210
07	Solenoid, wet-pin	A

Supply voltage

08	Control electronics 12 V DC	G12
	Control electronics 24 V DC	G24

Electrical connection ¹⁾

09	Without mating connector, with connector DT 04-2P (Deutsch connector)	K40
	Without mating connector, with connector AMP Junior-Timer	C4 ²⁾

Seal material

10	FKM seals	V
	Observe compatibility of seals with hydraulic fluid used! (Other seals on request)	
11	Further details in the plain text	*

¹⁾ Mating connectors, separate order, see data sheet 08006.

²⁾ The manual override can only be performed once the connector is removed!

Notice:

For other valve types than those listed in the data sheet, please consult us!

Valve types

Type	Material no.
FTWE 4 KC1X/210AG12C4V	R900568315
FTWE 4 KC1X/210AG12K40V	R901119907
FTWE 4 KC1X/210AG24C4V	R900568316
FTWE 4 KC1X/210AG24K40V	R901772014

Function, section, symbol

General

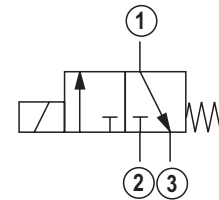
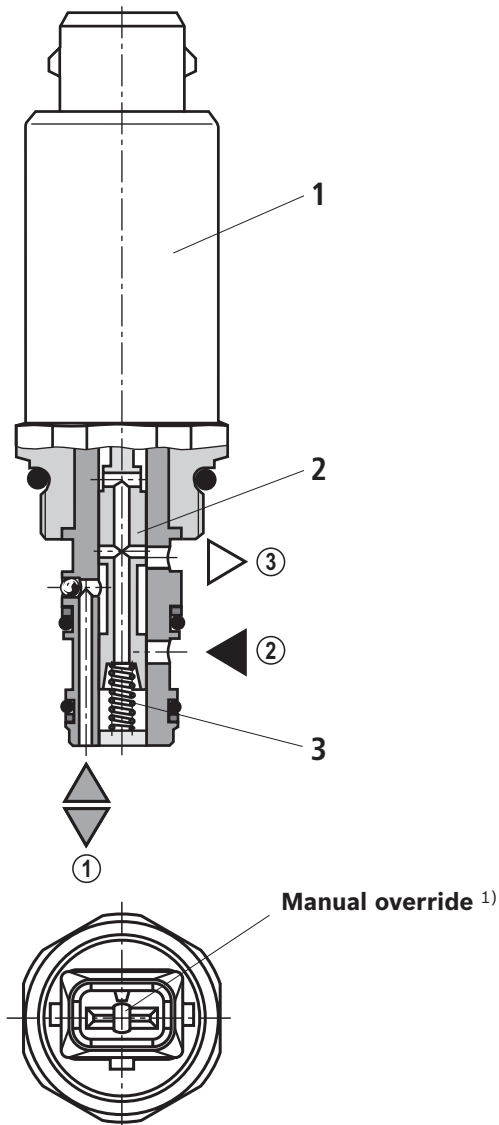
The directional spool valves type FTWE 4 K are direct operated, pressure-compensated screw-in cartridge valves in 3-way design. They control the start, stop and direction of a flow.

Function

In the de-energized condition, the control spool (2) is held in the initial position by the return spring (3).

Initial position from ① → ③; on actuation, the valve opens from ② → ①.

The control spool (2) is actuated by wet-pin DC solenoids (1). Main ports ① and ② can be charged continuously with 210 bar operating pressure; main port ③ with a maximum of 30 bar.



Notice:

Special versions on request. Special installation drawings apply for all special versions.

- ① = Main port 1 (A)
- ② = Main port 2 (P)
- ③ = Main port 3 (T)

Type FTWE 4 KC1X/..C4..

¹⁾ Actuated via pin tool (to actuate the manual override the connector must be removed (version "C4" and "K40"). Maximum number of plug-in processes 10 (specification AMP 108-18013).

Technical data

(For applications outside these parameters, please consult us!)

General	
Weight	kg approx. 0.16
Installation position	any
Ambient temperature range	°C -30 ... +80
Salt spray test according to ISO 9227	h 600 (NSS test)
Solenoid surface protection	Coating according to DIN 50962-Fe//ZnNi with thick film passivation

Hydraulic		
Maximum operating pressure	▶ Main port ① (A) bar	210
	▶ Main port ② (P) bar	210
Maximum counter pressure	▶ Main port ③ (T) bar	30
Maximum flow ($\Delta p = 5 \text{ bar}$) ¹⁾	l/min	7
Maximum leakage flow	▶ Main port ③ (T) cm ³ /min	≤ 115 ($p_p = 100 \text{ bar}$ and control current $I = 0$)
Hydraulic fluid	see table below	
Hydraulic fluid temperature range	°C	-30 ... +80
Viscosity range	mm ² /s	10 ... 380
Maximum admissible degree of contamination of the hydraulic fluid cleanliness class according to ISO 4406 (c)	Class 20/18/15 ²⁾	
Load cycles	10 million ¹⁾	

Hydraulic fluid	Classification	Suitable sealing materials	Standards
Mineral oils	HL, HLP	FKM	DIN 51524
Biodegradable	- insoluble in water	FKM	ISO 15380
	- soluble in water	HEPG	

**Important information on hydraulic fluids!**

- ▶ For more information and data on the use of other hydraulic fluids, please refer to data sheet 90220 or contact us!
- ▶ There may be limitations regarding the technical valve data (temperature, pressure range, service life, maintenance intervals, etc.)!

- ▶ The flash point of the hydraulic fluid used must be 40 K higher than the maximum solenoid surface temperature.
- ▶ Biodegradable: If biodegradable hydraulic fluids are used that are also zinc-solvent, there may be an accumulation of zinc

¹⁾ Rexroth standard test condition (HLP32; $\vartheta_{oil} = 40 \text{ °C} \pm 5 \text{ °C}$)

²⁾ The cleanliness classes stated for the components need to be maintained in hydraulic systems. Effective filtration prevents faults and at the same time increases the service life of the components.

For the selection of the filters see www.boschrexroth.com/filter.

We recommend using a filter with a minimum retention rate of $\beta_{10} \geq 75$.

Technical data

(For applications outside these parameters, please consult us!)

Electrical			
Voltage type		Direct voltage	
Supply voltages ($\pm 15\%$)	V	12 DC	24 DC
Power consumption (at 20 °C)	W	14.4	
Coil resistance (cold value at 20 °C)	Ω	10	40
Duty cycle	%	100	
Maximum coil temperature ³⁾	°C	150	
Switching time	► ON	ms	≤ 30
	► OFF	ms	≤ 25
Protection class according to DIN EN 60529	► Version "C4"	IP 65 with mating connector mounted and locked	
	► Version "K40"	IP 67 and IP 69K with Rexroth mating connector (material no. R901022127)	
Switching frequency	Hz	5	
Design		as per VDE 0580	

³⁾ Surface temperature > 50 °C possible, provide contact protection in accordance with standards ISO 13732-1 and ISO 4413 .

When establishing the electrical connection, the protective earthing conductor (PE $\frac{1}{2}$) has to be connected correctly.

Notice:

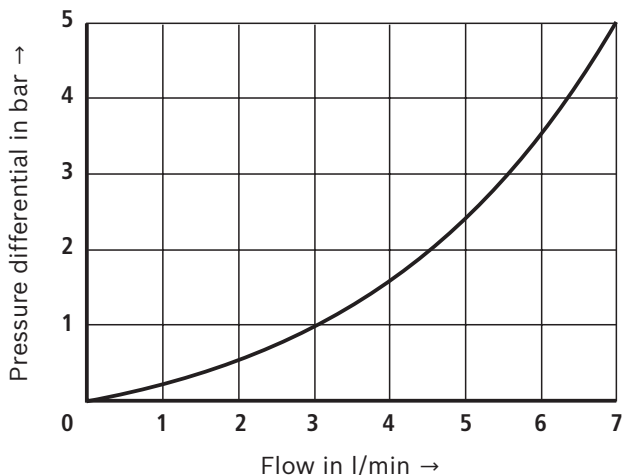
- The technical data were determined at a viscosity of 46 mm²/s (HLP46; 40 °C).
- For further information relating to correct usage of Rexroth hydraulic products, refer to data sheet 64020-B, "Hydraulic valves for mobile applications – General information".

Characteristic curves

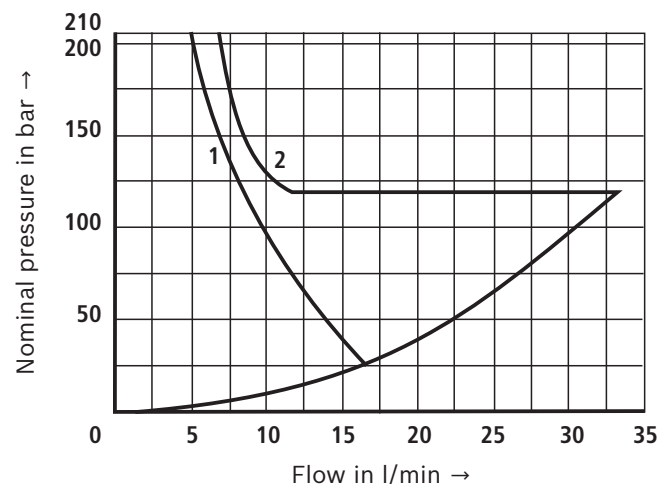
(measured with HLP46, $\vartheta_{oil} = 40 \pm 5$ °C)

Δp - q_v characteristic curve ($q_v =$ minimum value)

②(P) → ①(A); ①(A) → ③(T)



Power limit

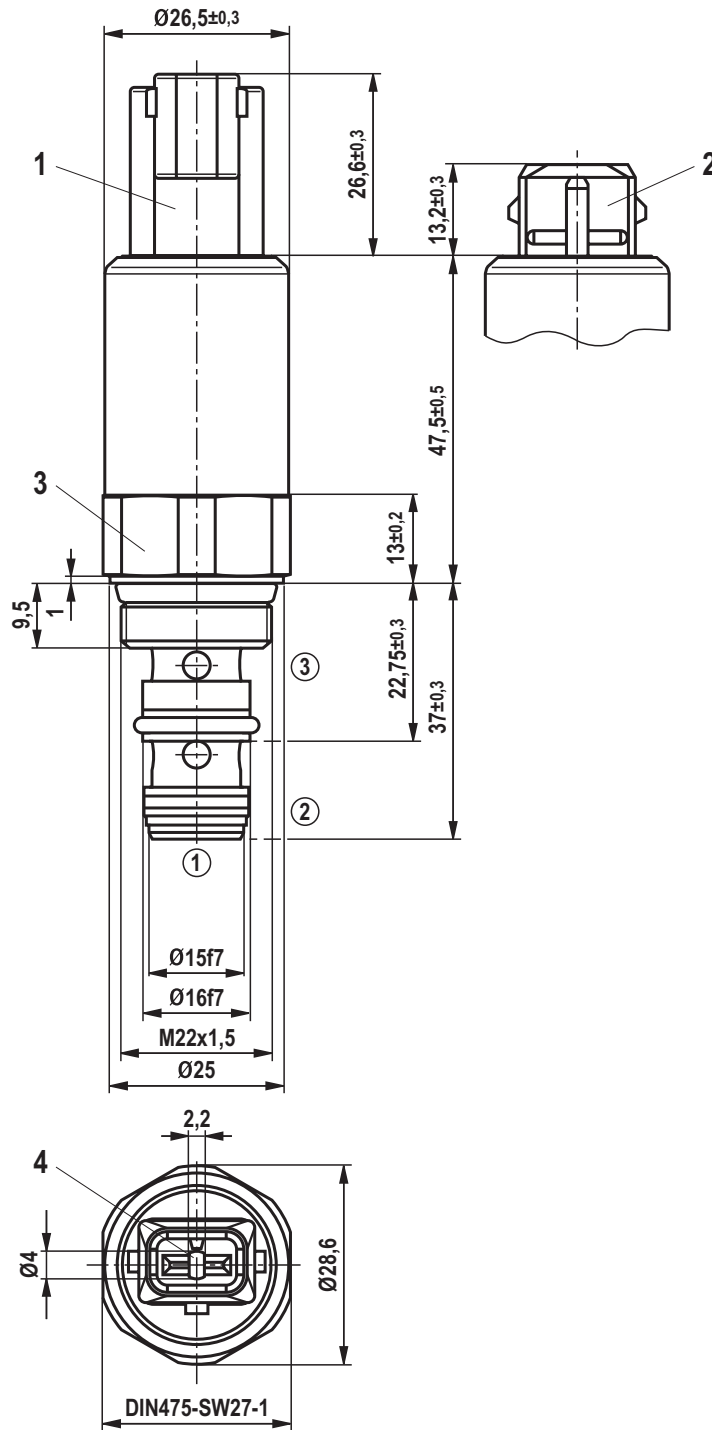


- 1 Main port ①(A) → ③(T)
- 2 Main port ②(P) → ①(A)

Notice:

The power limit was determined when the solenoids were at operating temperature and at 10 % undervoltage.

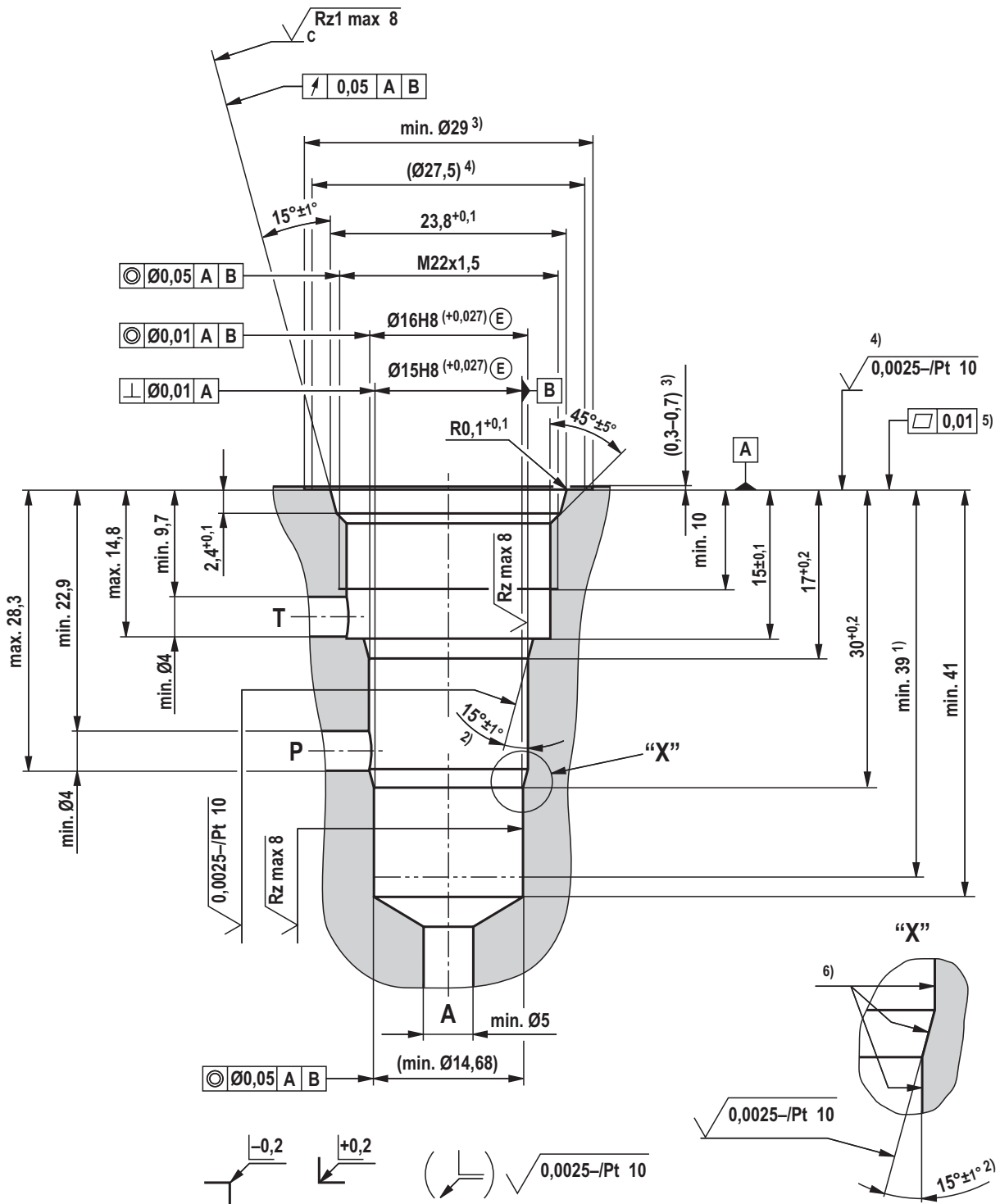
Dimensions
(dimensions in mm)



- ① = main port 1 (A)
- ② = main port 2 (P)
- ③ = main port 3 (T)

- 1 Mating connector for connector “K40” (separate order, see data sheet 08006)
- 2 Mating connector for connector “C4” (separate order, see data sheet 08006)
- 3 Wrench size 27; $M_A = 12^{+5} \text{ Nm}$
- 4 Manual override: Actuated via pin tool (to actuate the manual override the connector must be removed (version “C4” and “K40”). Maximum number of plug-in processes 10 (specification AMP 108-18013)).

Mounting cavity
(dimensions in mm)

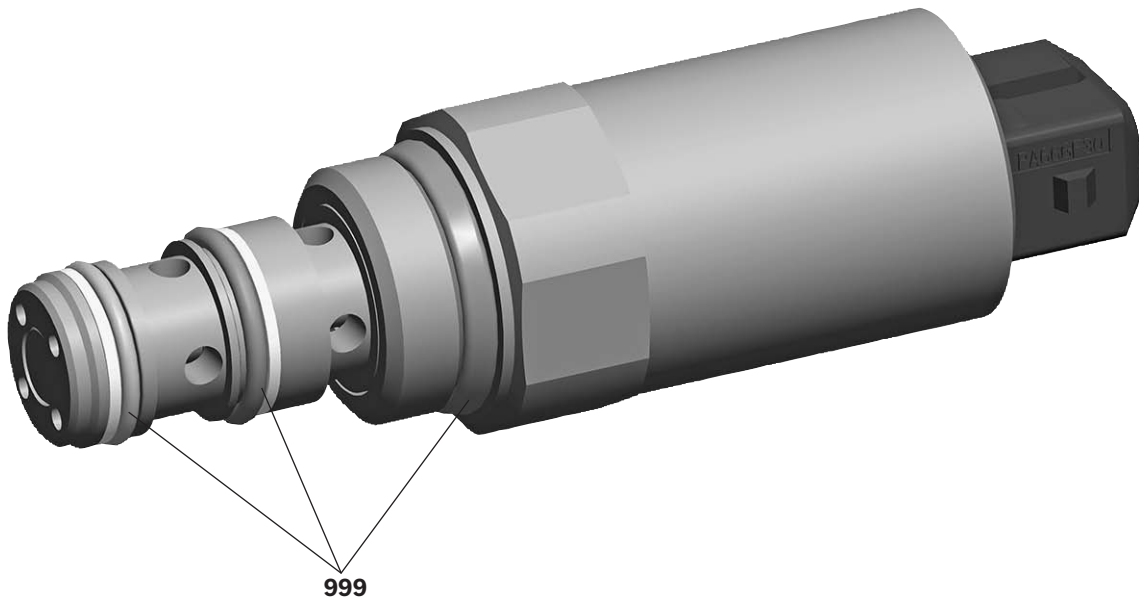


Standards:

Workpiece edges	ISO 13715
Form and position tolerance	ISO 1101
General tolerance for metal-cutting procedures	ISO 2768 (mK)
Tolerance	ISO 8015
Surface condition	ISO 1302

- 1) Depth of fit
- 2) All seal ring insertion faces are rounded and free of burrs
- 3) If counterbore depth >1 mm → counterbore Ø ≥33 mm
- 4) Required roughness up to Ø27.5 mm
- 5) Required evenness up to Ø27.5 mm
- 6) Entire contour finished with molding tool

Available individual components



Item	Designation	Seal material	Material no.
999	Seal kit of the valve	FKM	R900846072

Seal kits with other seals on request.

More information

- ▶ Hydraulic valves for mobile applications
- ▶ Mineral-oil-based hydraulic fluids
- ▶ Filter range

Data sheet 64020-B

Data sheet 90220

www.boschrexroth.com/filter

Bosch Rexroth AG
 Hydraulics
 Zum Eisengießer 1
 97816 Lohr am Main, Germany
 Phone +49 (0) 93 52/ 18-0
documentation@boschrexroth.de
www.boschrexroth.de

© This document, as well as the data, specifications and other information set forth in it, are the exclusive property of Bosch Rexroth AG. It may not be reproduced or given to third parties without the consent of Bosch Rexroth AG. The data specified above only serve to describe the product. No statements concerning a certain condition or suitability for a certain application can be derived from our information. The information given does not release the user from the obligation of own judgment and verification. It must be remembered that our products are subject to a natural process of wear and aging.