



Sample image

**Order symbol:** TA111107

**Product nbr:** 5814039

**Description:** Enclosure. ABS

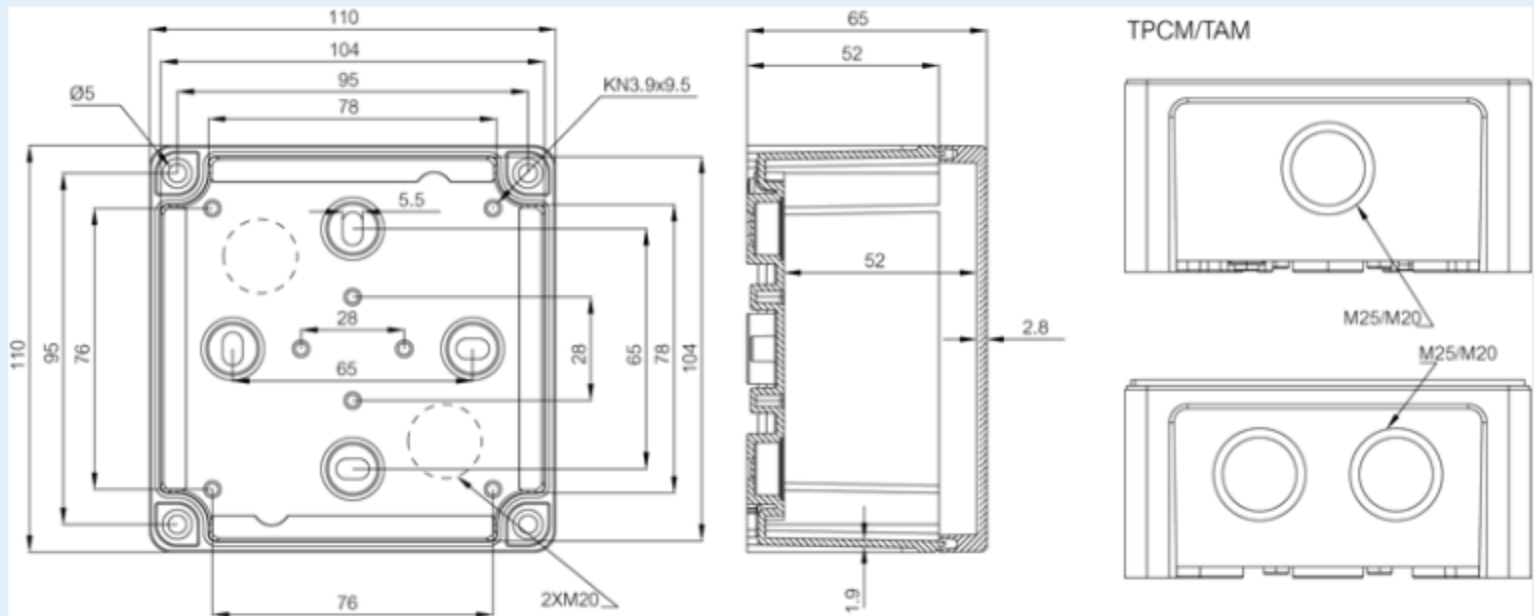
**Remarks:** Opaque cover

**Including:** Base with PUR gasket and screws for mounting plate/DIN-rail. cover with polyamide cover screws and plastic hinges.

**EAN:** 6418074011473

**El. number:**

- Finland:
- Denmark: 8212045224
- Sweden: 5814039



**Dimensions:**

	Height	Width	Depth
mm:	110	110	65
inch:	4.33	4.33	2.56

**Accessories:**

FP 10674	Mounting foot kit (2 pcs) incl. screws
----------	--

**Materials:**

Material:	ABS
Base colour:	
Cover colour:	
Gasket material:	

**Temperatures:**

Temperature °C (short term):	-40 ... 80
Temperature °C (continuous):	
Temperature °F (short term):	-40 ... 175
Temperature °F (continuous):	-40 ... 140

**Rating:**

Ingress protection (EN 60529):	IP65;
Impact Resistance (EN 62262):	IK07;
Electrical insulation:	Totally insulated
Halogen free (DIN/VDE 0472, Part 815):	1
UV resistance:	-
Flammability Rating:	UL 94 HB
Glow Wire Test (IEC 695-2-1) °C:	650 °C
NEMA Class	

**Certificates:**

Certificate FI 40343