

SERIES 1930 – ROCKER SWITCH

DUST AND WATER PROTECTION IP 65



ADVANTAGE

High rating

Suitable for harsh environments

High reliability

Numerous versions

Attractive, flexible design

PRODUCT FEATURES

- Up to 20 A and UL 1 HP, inrush peak currents up to 120 A, versions with 400 AC approval available
- With bellow seal, protected against dust and water (IP 65)
- Switching system, tried and tested 100 million times
- Illuminated and non-illuminated versions, different terminal versions and switching functions available
- Rocker and bellows available in different colors and with various prints (also customer specific)

EXAMPLES OF APPLICATION

- Recreational vehicles
- Cleaning equipment
- Canteen kitchen and catering technology
- Power tools
- Laboratory equipment
- Illumination
- Garden technology

Rating	
→ Europe	20 (4) A 250 V AC 1E4 10 (8) A 250 V AC 5E4
→ America	16 A 125 - 250 V AC 125 V AC 1/3 HP or 250 V AC 1 HP
Mechanical life	5E4
Actuating force	3 - 8 N
Inrush peak current (capacitive)	120 A; 100 A (basic type 1939); 50 A (basic type 1934)
Contact resistance (new condition)	< 100 mOhm (1 A 12 V DC)
Insulation resistance (new condition)	> 100 MOhm (500 V DC)
Creep resistance	250 PTI
Protection type	IP 65 (recessed installation)
Ambient temperature	
→ Terminal side	-30 °C ... +105 °C
→ Actuator side	-30 °C ... +55 °C
Flammability	UL 94 V-2, UL 94 V-0 (housing and socket only)
Glow wire test temperature	850 °C
Material Actuator	PC / TPU (bellows)
Material Housing	PA
Material Terminal	Silver-plated
Plug force of the terminals	≤ 80 N
Approval marks	
Suitable for appliances of protection class II	

SERIES 1930 – ROCKER SWITCH

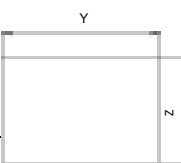
DUST AND WATER PROTECTION IP 65

VARIANTS

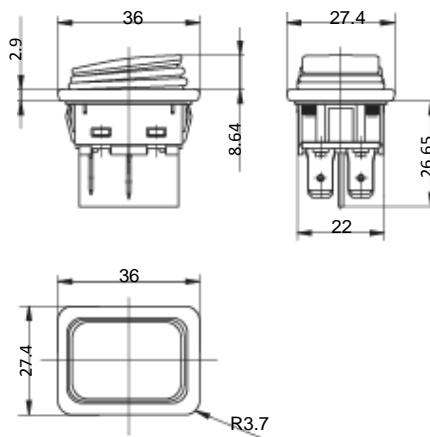
Basic type	Illuminated	Switching function	Terminal type	Miscellaneous
1932		ON/OFF and momentary (DPST, DPNO, DPNC)	Quick-connect terminal 6.3 Quick-connect terminal 4.8	
1934		Changeover switch (DPDT) and momentary	Quick-connect terminal 6.3 PCB terminal	
1935	●	ON/OFF (DPDT, DPNO)	Quick-connect terminal 6.3	12 V, 24 V, 125 V, 400 V
1939		Changeover switch with OFF position in the center (DPDT); Momentary on one or both sides	Solder terminal, Quick-connect terminal 6.3	Gold contacts

DRAWINGS

(Dimensions in mm)



Cut-out		
Wall thickness	Y	Z
0.75 – 1.25	30.0 ^{-0.1}	22.0 ^{+0.2}
1.25 – 2.00	30.2 ^{-0.1}	22.0 ^{+0.2}
2.00 – 3.00	30.6 ^{-0.1}	22.0 ^{+0.2}



RECOMMENDED MOUNTING

(Recessed for optimum protection against dust and water)




MARQUARDT