

MODLINK MSDD FRAME DBL METALIC

Closure Daimler

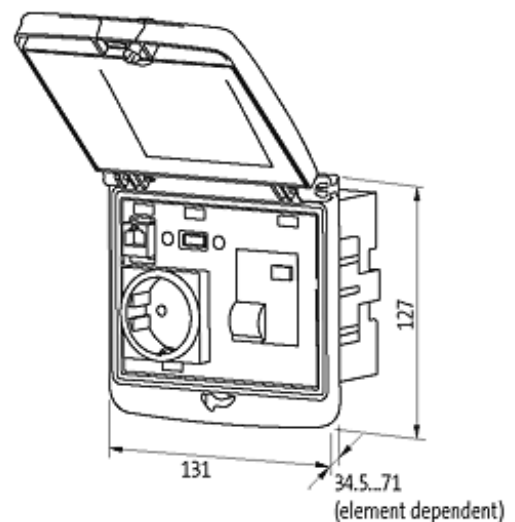
Mounting frame plastic PBT black

Lid: plastic, ABS gray

Closure: Daimler

[Link to Product](#)

Illustration



Product may differ from Image

Frame

suitable for mounting with wall thickness 1...5 mm

Protection IP65

Dimensions H x W x D 91x117x5

Temperature range	-30...+70 °C (storage temperature -30...+80 °C)
-------------------	---

General data

Dimensions H × W × D	127×131×32 mm
----------------------	---------------

Commercial data

country of origin	CZ
-------------------	----

customs tariff number	85389099
-----------------------	----------

minimum order quantity	1
------------------------	---