

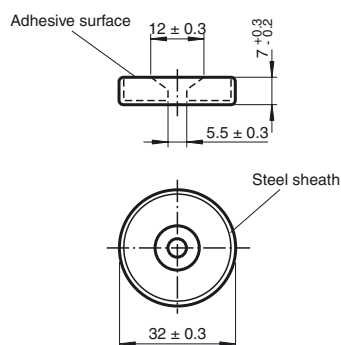


Model Number

DM 25-32-07

Permanent magnet for magnetic field sensors

Dimensions



Technical data

Ambient conditions

Ambient temperature -40 ... 85 °C (-40 ... 185 °F)

Mechanical specifications

Material BaFe with steel jacket
 Dimensions Height: 7 mm
 Diameter: 32 mm

Technical details

The hard ferrite magnet consists of a steel casing, which is open towards the adhesive surface and equipped with a barium ferrite magnet (BaFe). The magnetisation already takes place during the shaping and is thus in imposed axial direction (anisotropic).

The magnetic clamp disk can be screwed onto a surface through a centre hole with a countersunk screw to save space. For fastening, screw in a M5 countersunk screw made of unmagnetic, non-conducting material, e. g. V2A or brass from the direction of the adhesive surface.

Characteristic	Value		
Power product	(W x H) max.	12	kJ/m ³
Remanence	B _r	245	mT
Coercive field strength	JH _C	207	kA/m
Coercive field strength	BH _C	175	kA/m
Relative remanent permeability	μ ₀ μ _r	1.4	mT/ kA/m
Temperature coefficient of the remanence	α	-0,20	%/°C
Density	r	3.7	g/cm ³