



CE

### Model Number

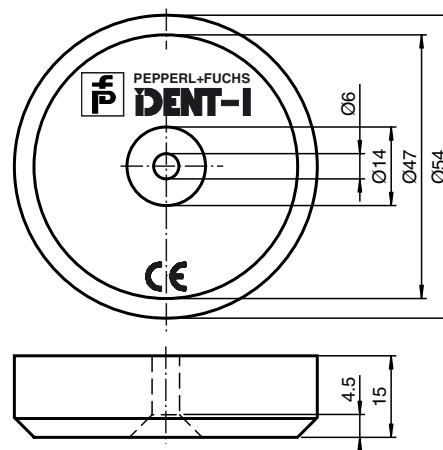
IPC03-54

Data carrier

### Features

- Battery-free data carrier
- 32 bit fixcode
- 928 bits memory available
- Readable and writable from both sides
- Degree of protection IP67
- Mounting holes for simple installation

### Dimensions



### Technical data

#### General specifications

Operating frequency	125 kHz
Transfer rate	2 kBit/s
Distance	distance tables, see introduction

#### Memory

Type/Size	EEPROM 928 Bit ROM 32 Bit
Read cycles	unlimited
Write cycles	> 100000
Data retention period	10 years at 55 °C (131 °F)

#### Ambient conditions

Ambient temperature	-25 ... 85 °C (-13 ... 185 °F)
Storage temperature	-25 ... 85 °C (-13 ... 185 °F)

#### Mechanical specifications

Degree of protection	IP67 according to EN 60529
Material	
Housing	Polyurethane (PUR)

#### Compliance with standards and directives

Directive conformity	
R&TTE Directive 1995/5/EC	EN 300330-2:2010 V1.5.1
Standard conformity	
Degree of protection	EN 60529:2000

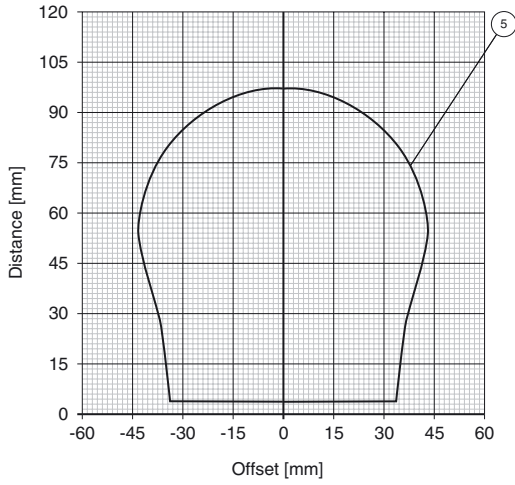
### Notes

The transponder can be read and written from either side.

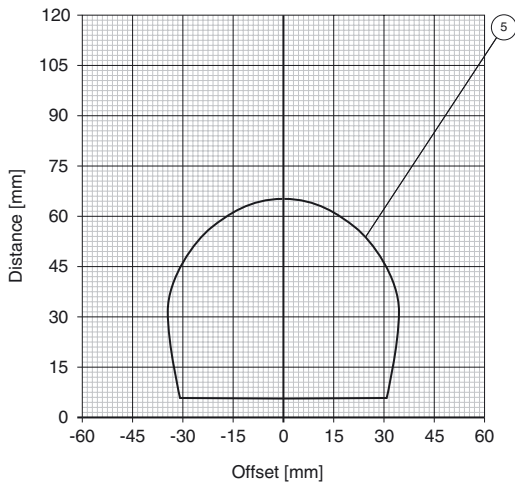
**Read/write distances**

- ① IPH-18GM-V1    ③ IPH-F61    ⑤ IPH-FP-V1    ⑦ IPT1-FP-V1
- ② IPH-30GM-V1    ④ IPH-L2-V1    ⑥ IPH-F15-V1

Reading range in air IPC03-54



Reading range on steel IPC03-54



Release date: 2014-03-20 16:00 Date of issue: 2014-03-24 119711\_eng.xml