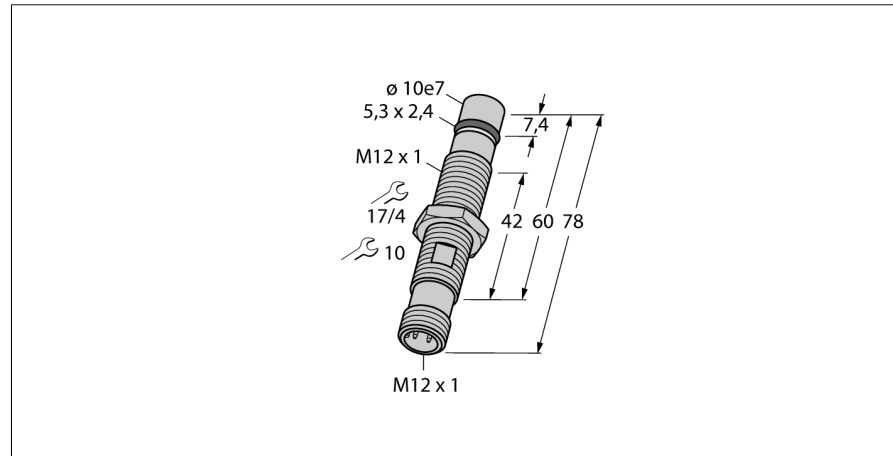
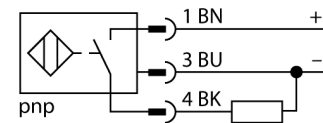


**Inductive sensor
For high pressures
BID1,5-G120-AP6-H1141**



- Threaded barrel, M12 x 1
- Stainless steel, 1.4301
- Admissible static pressure 500 bar
- Admissible peak pressure 1000 bar
- Suitable for use in high vacuum
- DC 3-wire, 10...30 VDC
- NO contact, PNP output
- M12 x 1 male connector

Wiring Diagram



Functional principle

Inductive sensors detect metal objects contactless and wear-free. For this, they use a high-frequency electromagnetic AC field that interacts with the target. This field is generated by an LC resonant circuit with a ferrite core.

Pressure resistant inductive sensors withstand pressures of up to 1000 bar which makes them perfectly suited for position control in hydraulic cylinders.

Type designation	BID1,5-G120-AP6-H1141
Ident no.	1682000
Rated switching distance S_n	1.5 mm
Mounting conditions	Flush
Secured operating distance	≤ (0,81 x S _n) mm
Correction factors	St37 = 1; Al = 0,2; Cu = 0,12; Edelstahl = 0,75; Ms = 0,34
Repeat accuracy	≤ 7 % of full scale
Static pressure	≤ 500 bar
Dynamic pressure	≤ 500 bar
Vakuumfest bis	10 ⁻⁴ Torr
Temperature drift	≤ ± 15 %
Hysteresis	3...15 %
Ambient temperature	-25...+80 °C
Operating voltage	10...30 VDC
Residual ripple	≤ 20 % U _{ss}
DC rated operational current	≤ 200 mA
No-load current I ₀	≤ 10 mA
Residual current	≤ 0.1 mA
Isolation test voltage	≤ 0.5 kV
Short-circuit protection	yes/ Cyclic
Voltage drop at I ₀	≤ 2 V
Wire breakage/Reverse polarity protection	yes/ Complete
Output function	3-wire, NO contact, PNP
Switching frequency	0.6 kHz
Design	Threaded barrel, M12 (1)
Dimensions	78 mm
Housing material	Stainless steel, V2A (1.4305)
Active area material	Plastic, ZrO ₂
Max. tightening torque housing nut	40 Nm
Electrical connection	Connector, M12 (1)
Vibration resistance	55 Hz (1 mm)
Shock resistance	30 g (11 ms)
Protection class	IP68
MTTF	1053 years acc. to SN 29500 (Ed. 99) 30 °C

**Inductive sensor
For high pressures
BID1,5-G120-AP6-H1141**

Distance W	3 x Sn
Distance T	3 x B
Distance S	1.5 x B
Distance G	6 x Sn

Diameter active area B	Ø 12 mm
------------------------	---------

