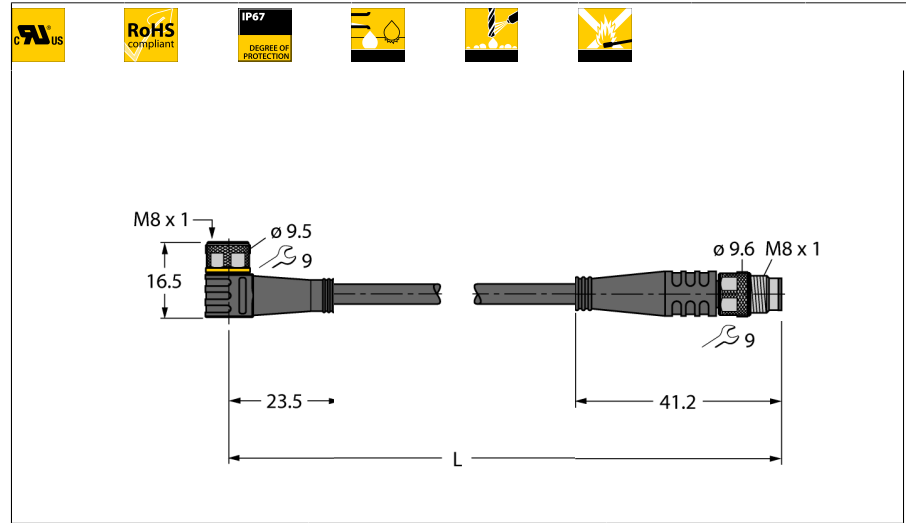


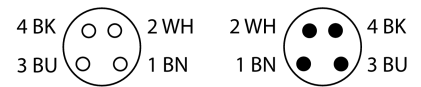
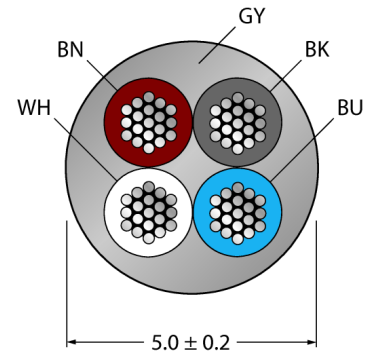
Actuator And Sensor Cable / PVC extension cable
PKW4M-1-PSG4M/TEG



- Female M8, angled, 4-pin
- Male M8, straight, 4-pin
- Sheath material: PVC
- Sheath color: grey
- Resistant to chemicals and oils
- Flame retardant
- Resistant to acids and alkaline solutions
- Resistant to microbes and hydrolysis
- LABS free
- Approval: cULus
- RoHS conform
- Protection class IP67
- Cable length: 1.0 m

Type designation	PKW4M-1-PSG4M/TEG
Ident no.	6630163
Connector A side	
Number of pins	Female connector, M8 (↙ 1, Angled)
Contacts	4
Contact carriers	Brass, CuZn, Gold-plated
Grip	Plastic, TPU, Black
Coupling nut/screw	Plastic, TPU, Black
Seal	Brass, CuZn, Nickel-plated
Protection class	Plastic, FPM/FKM
Mechanical lifespan	IP67, A + B side screwed together
Pollution degree	> 100 Mating cycles
Tightening torque	3
	0.5 ... 0.6 Nm (observe max. torque of counter piece!)
Connector B side	
Number of pins	Connector, M8x1, Straight
Contacts	4 pins
Contact carriers	brass, CuZn, Gold-plated
Grip	Plastic, TPU, Black
Coupling nut/screw	plastic, TPU, black
Protection class	Brass, CuZn, Nickel-plated
Mechanical lifespan	IP67, only in screwed state
Pollution degree	> 100 Mating cycles
Tightening torque	3
	0.5 ... 0.6 Nm (observe max. torque of counter piece!)
General data	
Cable diameter	5 ± 0.20mm
Cable length	1 m
Cable quality	PVC
Cable color	Gray
Core insulation	PVC
Core colors	BN, WH, BU, BK
Core cross-section	4x0.34mm ²
Arrangement of strands	42x0.1 mm
Electrical features at +20 °C	
Current	4 A
Rated voltage	30 V
Insulation resistance	> 30.5 MΩ/km
Test voltage	2000 V
Forward resistance	max. 57 Ω/km

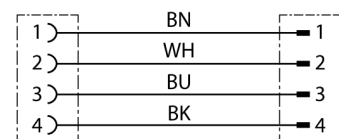
Cable Cross-section



General information

Drawing shows design status including hexagon coupling nut (Start of production CW21/2016).

Circuit Diagram



**Actuator And Sensor Cable / PVC
extension cable
PKW4M-1-PSG4M/TEG**

Mechanical and chemical properties


Bending radius (stationary laying)	> 5 x Ø
Bending radius (flexible use)	> 10 x Ø
Ambient temperature	
Stationary	-40...+105°C
In motion	0...+80°C

**Actuator And Sensor Cable / PVC
extension cable
PKW4M-1-PSG4M/TEG**

TURCK

Industrial
Automation

Accessories

Type code	Ident no.	Description	
Torque-Wrench-Set-AS	6936170	Torque wrench set; handles with adjustable torque 0.4-1.0 Nm, torque wrench for M8 (SW9), fork wrench for M12 (SW 14)	
BLANK-LABEL-FOR-CORDESETS-TEL-TXL	6936206	Label for TEL and TXL cables, length: 18 mm, height: 4 mm, material: polycarbonate (PC), color: white, halogen-free and flame-retardant	