

Product Reference Guide

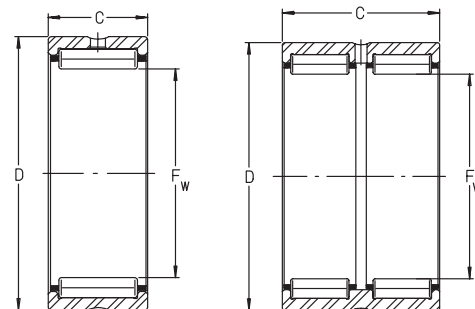


INA USA CORPORATION

Precision Needle Bearings

NCS, NK, NKS, RNA48, RNA49, RNA69 SERIES

- Without inner rings
- Inch and metric
- Ground raceways with ribs
- Cage guided rollers



NCS, NK, RNA48, NKS

RNA69

For details on part numbers, descriptive suffixes and various technical references, please refer to front of this section.

For engineering or technical information contact your local sales representative or call Distributor Sales (800)523-6572.

PART NUMBER	SHAFT	SHAFT	OD	OD	WIDTH	WIDTH	WGT.	WGT.	DYN.	DYN.	STAT.	STAT.	SPEED
	F _w	F _w	D	D	C	C							
	inch	mm	inch	mm	inch	mm	lbs	g	lbf	N	lbf	N	oil
NK 38/20	1.496	38	1.890	48	0.787	20	0.175	79.4	5,700	25500	10,100	45000	11000
NK 38/30	1.496	38	1.890	48	1.181	30	0.256	116	8,500	38000	17,100	76000	11000
NCS 2416	1.500	38.1	2.063	52.388	1.000	25.4	0.34	154	8400	37500	13700	61000	12000
NCS 2420	1.500	38.1	2.063	52.388	1.250	31.75	0.42	190	12600	56000	20400	91000	11000
NK 40/20	1.575	40	1.969	50	0.787	20	0.182	82.7	5,800	26000	10,600	47000	11000
NK 40/30	1.575	40	1.969	50	1.181	30	0.276	125	8,800	39000	17,800	79000	11000
RNA 49/32	1.575	40	2.047	52	0.787	20	0.196	89.1	6,900	30500	10,700	47500	12000
RNA 69/32	1.575	40	2.047	52	1.417	36	0.357	162	10,600	47000	18,400	82000	11000
NKS 40	1.575	40	2.165	55	0.866	22	0.284	129	8,500	38000	12,100	54000	10000
NCS 2616	1.625	41.275	2.188	55.563	1.000	25.4	0.36	163	10500	47000	16600	74000	11000
NCS 2620	1.625	41.275	2.188	55.563	1.250	31.75	0.46	209	11100	49500	20000	89000	11000
NK 42/20	1.654	42	2.047	52	0.787	20	0.189	85.8	6,000	26500	11,000	49000	10000
NK 42/30	1.654	42	2.047	52	1.181	30	0.287	130	8,900	39500	18,400	82000	10000
RNA 4907	1.654	42	2.165	55	0.787	20	0.236	107	7,100	31500	11,200	50000	11000
RNA 6907	1.654	42	2.165	55	1.417	36	0.426	193	10,800	48000	19,300	86000	10000
NK 43/20	1.693	43	2.087	53	0.787	20	0.19	86	6,100	27000	11,500	51000	10000
NK 43/30	1.693	43	2.087	53	1.181	30	0.293	133	9,100	40500	19,100	85000	10000
NKS 43	1.693	43	2.283	58	0.866	22	0.306	139	8,700	39000	12,800	57000	9500
NCS 2816	1.750	44.45	2.313	58.738	1.000	25.4	0.39	177	9400	42000	16500	73000	10000
NCS 2820	1.750	44.45	2.313	58.738	1.250	31.75	0.48	218	13300	59000	22800	102000	10000
NK 45/20	1.772	45	2.165	55	0.787	20	0.202	91.5	6,200	27500	11,900	53000	10000
NK 45/30	1.772	45	2.165	55	1.181	30	0.306	139	9,200	41000	19,800	88000	10000
NKS 45	1.772	45	2.362	60	0.866	22	0.319	145	9,100	40500	13,500	60000	9500
NK 47/20	1.850	47	2.244	57	0.787	20	0.208	94.5	6,400	28500	12,600	56000	9500
NK 47/30	1.850	47	2.244	57	1.181	30	0.313	142	9,700	43000	21,100	94000	9500
NCS 3016	1.875	47.625	2.438	61.913	1.000	25.4	0.41	186	9600	42500	17300	77000	9500
NCS 3020	1.875	47.625	2.438	61.913	1.250	31.75	0.51	231	12000	53000	23000	102000	9500
RNA 4908	1.890	48	2.441	62	0.866	22	0.309	140	9,700	43000	15,100	67000	9500
RNA 6908	1.890	48	2.441	62	1.575	40	0.564	256	14,800	66000	26,000	116000	9000
NK 50/25	1.969	50	2.441	62	0.984	25	0.348	158	8,500	38000	16,600	74000	9000
NK 50/35	1.969	50	2.441	62	1.378	35	0.487	221	11,200	50000	23,800	106000	9000
NKS 50	1.969	50	2.559	65	0.866	22	0.345	157	9,500	42500	15,000	67000	8500
NCS 3216	2.000	50.8	2.563	65.088	1.000	25.4	0.39	177	11400	51000	18800	84000	9000
NCS 3220	2.000	50.8	2.563	65.088	1.250	31.75	0.5	227	14300	64000	26500	117000	9000
RNA 4909	2.047	52	2.677	68	0.866	22	0.401	182	10,100	45000	16,400	73000	8500
RNA 6909	2.047	52	2.677	68	1.575	40	0.745	338	15,500	69000	28,500	127000	8000
NK 55/25	2.165	55	2.677	68	0.984	25	0.397	180	9,000	40000	18,400	82000	8000
NK 55/35	2.165	55	2.677	68	1.378	35	0.551	250	11,900	53000	26,500	118000	8000
NKS55	2.165	55	2.835	72	0.866	22	0.486	221	10,100	45000	16,600	74000	7500
NCS 3624	2.250	57.15	3.000	76.2	1.500	38.1	0.93	422	20400	91000	37500	168000	7500
RNA 4910	2.284	58	2.835	72	0.866	22	0.359	163	10,600	47000	18,000	80000	8000
RNA 6910	2.284	58	2.835	72	1.575	40	0.684	310	16,400	73000	31,500	139000	7500
NK 60/25	2.362	60	2.835	72	0.984	25	0.408	185	9,400	42000	20,200	90000	7500
NK 60/35	2.362	60	2.835	72	1.378	35	0.569	258	12,600	56000	29,000	130000	7500
NKS 60	2.362	60	3.150	80	1.102	28	0.737	335	14,000	63000	22,000	98000	7000
RNA 4911	2.480	63	3.150	80	0.984	25	0.562	255	13,000	58000	22,500	100000	7500

