

Series KQ2

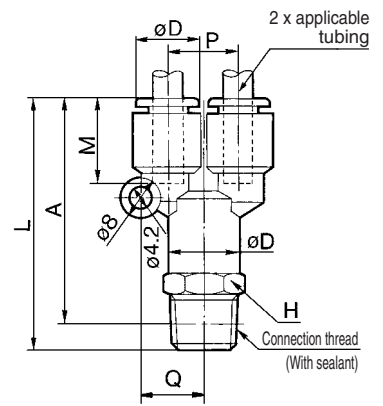
Branch "Y": KQ2U



| Applicable tubing O.D. (inch) | Connection thread NPT | Model | H (Width across flats) | Note) ϕD | L | P | Q | A* | M | Min. port size | Mass (g) | |
|-------------------------------|-----------------------|------------|------------------------|----------------|-------|------|------|------|------|----------------|----------|----|
| 1/8 | 1/8 | KQ2U01-34S | 12.7 | 9.6 | 39.6 | 9.6 | 9 | 36.5 | 15.5 | 2.5 | 14 | |
| | 1/4 | KQ2U01-35S | 14.29 | | 44 | | | 38.5 | | | | |
| 5/32 | 1/8 | KQ2U03-34S | 12.7 | 10.4 | 41.1 | 10.4 | 9.7 | 38 | 16 | 3 | 16 | |
| | 1/4 | KQ2U03-35S | 14.29 | | 45.5 | | | 40 | | | | |
| 3/16 | 1/8 | KQ2U05-34S | 12.7 | 11.4 | 43.1 | 11.4 | 10.6 | 40 | 16.5 | 3.5 | 18 | |
| | 1/4 | KQ2U05-35S | 14.9 | | 48 | | | 42.5 | | | | |
| 1/4 | 1/8 | KQ2U07-34S | 14.29 | 13.2 | 45.6 | 13.2 | 12 | 42.5 | 17 | 4.6 | 19 | |
| | 1/4 | KQ2U07-35S | | | 49 | | | 43.5 | | | | |
| | 3/8 | KQ2U07-36S | | | 17.46 | | | 50.4 | | | | 45 |
| 5/16 | 1/8 | KQ2U09-34S | 17.46 | 15.2 | 51.6 | 15.2 | 13.7 | 48.5 | 18.5 | 6 | 21 | |
| | 1/4 | KQ2U09-35S | | | 55 | | | 49.5 | | | 22 | |
| | 3/8 | KQ2U09-36S | | | 17.46 | | | 55.4 | | | 50 | 35 |
| 3/8 | 1/4 | KQ2U11-35S | 19.05 | 17.9 | 59.5 | 17.9 | 15.6 | 54 | 21 | 7 | 42 | |
| | 3/8 | KQ2U11-36S | | | 19.05 | | | 59.9 | | | 54.5 | 43 |
| | 1/2 | KQ2U11-37S | | | 22.23 | | | 63.6 | | | 56.5 | 56 |
| 1/2 | 1/4 | KQ2U13-35S | 22.23 | 21.7 | 64 | 21.7 | 18.8 | 58.5 | 22 | 9.6 | 31 | |
| | 3/8 | KQ2U13-36S | | | 22.23 | | | 64.4 | | | 59 | 41 |
| | 1/2 | KQ2U13-37S | | | 22.23 | | | 67.6 | | | 60.5 | 68 |

* Reference dimensions after NPT thread installation.

Note) ϕD : Max. diameter

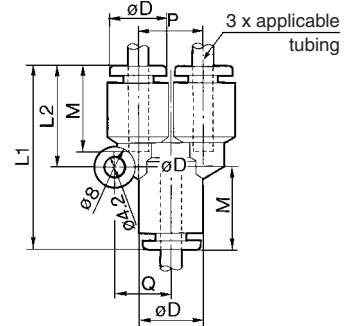


Union "Y": KQ2U



| Applicable tubing O.D. (inch) | Model | Note) ϕD | L1 | L2 | P | Q | M | Min. port size | Mass (g) |
|-------------------------------|-----------|----------------|------|------|------|------|------|----------------|----------|
| 1/8 | KQ2U01-00 | 9.6 | 33 | 17.5 | 9.6 | 9 | 15.5 | 2.5 | 6 |
| 5/32 | KQ2U03-00 | 10.4 | 34 | 18 | 10.4 | 9.7 | 16 | 3 | 7 |
| 3/16 | KQ2U05-00 | 11.4 | 36.5 | 20.5 | 11.4 | 10.6 | 16.5 | 3.5 | 9 |
| 1/4 | KQ2U07-00 | 13.2 | 38 | 21.5 | 13.2 | 12 | 17 | 4.6 | 9 |
| 5/16 | KQ2U09-00 | 15.2 | 42.5 | 24.5 | 15.2 | 13.7 | 18.5 | 6 | 11 |
| 3/8 | KQ2U11-00 | 17.9 | 48 | 27.5 | 17.9 | 15.6 | 21 | 7 | 16 |

Note) ϕD : Max. diameter

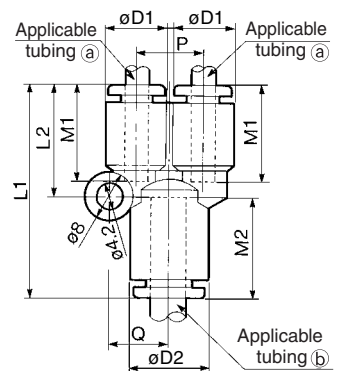


Different diameter union "Y": KQ2U



| Applicable tubing O.D. (inch) | Model | | Note) $\phi D1$ | Note) $\phi D2$ | L1 | L2 | P | Q | M1 | M2 | Min. port size | Mass (g) |
|-------------------------------|-------|-----------|-----------------|-----------------|------|------|------|------|------|------|----------------|----------|
| | Ⓐ | Ⓑ | | | | | | | | | | |
| 1/8 | 5/32 | KQ2U01-03 | 9.6 | 10.4 | 33.5 | 17.5 | 9.6 | 9 | 15.5 | 16 | 2.5 | 5 |
| | 1/4 | KQ2U01-07 | | | 13.2 | 38 | 21.5 | 13.2 | | 12 | | 17 |
| 5/32 | 3/16 | KQ2U03-05 | 10.4 | 11.4 | 36.5 | 20.5 | 11.4 | 10.6 | 16 | 16.5 | 3 | 8 |
| | 1/4 | KQ2U03-07 | | | 13.2 | 38 | 21.5 | 13.2 | | 12 | | 17 |
| 3/16 | 1/4 | KQ2U05-07 | 11.4 | 13.2 | 38 | 21.5 | 13.2 | 12 | 16.5 | 17 | 3.5 | 9 |
| | 5/16 | KQ2U07-09 | | | 15.2 | 42.5 | 24.5 | 15.2 | | 13.7 | | 17 |
| 1/4 | 3/8 | KQ2U07-11 | 13.2 | 17.9 | 47 | 27.5 | 17.9 | 15.6 | 17 | 21 | 4.6 | 23 |
| | 5/16 | KQ2U09-11 | | | 15.2 | 17.9 | 47 | 27.5 | | 17.9 | | 15.6 |
| 5/16 | 1/2 | KQ2U09-13 | 15.2 | 21.7 | 51 | 30 | 21.7 | 18.8 | 18.5 | 22 | 6 | 34 |
| | 3/8 | KQ2U11-13 | | | 17.9 | 21.7 | 51.5 | 30.5 | | 21.7 | | 18.8 |

Note) $\phi D1, \phi D2$: Max. diameter

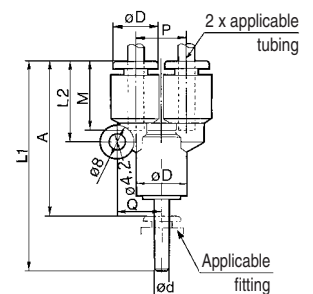


Plug-in "Y": KQ2U



| Applicable tubing O.D. (inch) | Applicable fitting size ϕd (inch) | Model | Note) ϕD | L1 | L2 | P | Q | A | M | Min. port size | Mass (g) |
|-------------------------------|---|-----------|----------------|------|------|------|------|------|------|----------------|----------|
| 1/8 | 1/8 | KQ2U01-99 | 9.6 | 50 | 17.5 | 9.6 | 9 | 35 | 15.5 | 2 | 10 |
| 5/32 | 5/32 | KQ2U03-99 | 10.4 | 51.5 | 18 | 10.4 | 9.7 | 35.5 | 16 | 2.5 | 12 |
| 3/16 | 3/16 | KQ2U05-99 | 11.4 | 56 | 20.5 | 11.4 | 10.6 | 39.5 | 16.5 | 3.5 | 17 |
| 1/4 | 1/4 | KQ2U07-99 | 13.2 | 56.5 | 21.5 | 13.2 | 12 | 39.5 | 17 | 4.6 | 18 |
| 5/16 | 5/16 | KQ2U09-99 | 15.2 | 64.5 | 24.5 | 15.2 | 13.7 | 46 | 18.5 | 6 | 21 |

Note) ϕD : Max. diameter



Series KQ2: White body
Series KQ: Black body

Guide

Collet

Chuck

Suitable for use with nylon and urethane.
Large retaining force.
Has large retaining force while holding force is increased by the collet.

Seal

Can be used for a wide range of pressures from a low vacuum up to a pressure of 1 MPa.
The use of a special profile ensures sealing and reduces resistance when the tube is inserted.

Connection thread
UNF, NPT

Release button

KQ2: Orange
KQ : Red

Light force for removal
When the fitting is removed from the tube, the chuck and collet are released, thus preventing them from biting into the tube excessively.

Tube

Inch size
Ø1/8", Ø5/32", Ø3/16", Ø1/4", Ø5/16", Ø3/8", Ø1/2"

Body

O-ring

Stud

Effective when piping in a confined space.
The body and the threaded portion can rotate (for positioning to some extent).

PAT.

- K
- M
- H
- KK
- D
- MS
- LQ
- MQR
- T



Product's Color

| Series | Body | Release button |
|------------|-------|----------------|
| Series KQ2 | White | Orange |
| Series KQ | Black | Red |

Applicable Tubing

| | |
|---------------|---|
| Tube material | FEP, PFA, Nylon, Soft nylon (1), Polyurethane |
| Tube O.D. | Ø 1/8", Ø 5/32", Ø 3/16", Ø 1/4", Ø 5/16", Ø 3/8", Ø 1/2" |

Note 1) Soft nylon tubing is not compatible with water.

Specifications

| | | |
|--------------------------------------|-------------------------|--|
| Fluid | | Air/Water (2) |
| Operating pressure range (3) | | -100 kPa to 1 MPa |
| Proof pressure | | 3 MPa |
| Ambient and fluid temperature | | -5 to 60°C, Water: 0 to 40°C (No freezing) |
| Thread | Mounting section | ANSI/ASME B1.20.1 (NPT thread) JIS B0208 (UNF thread) |
| | Nut section | JIS B0208 (UNF thread) |
| Seal on the threads | | With sealant or none |



Note 2) The surge pressure must be under the maximum operating pressure.
Note 3) Do not use the fittings with a leak tester or for vacuum retention because they are not guaranteed for zero leakage.



Made to Order
Refer to page 75 for details.

Principal Parts Material

| | |
|----------------|---------------------------------|
| Body | C3604, PBT, PP |
| Stud | C3604 (Thread portion) |
| Chuck | Stainless steel 304 |
| Guide | Stainless steel 304, C3604, PBT |
| Collet | POM |
| Release button | POM |
| Seal, O-ring | NBR |
| Gasket | Stainless steel 304, NBR |