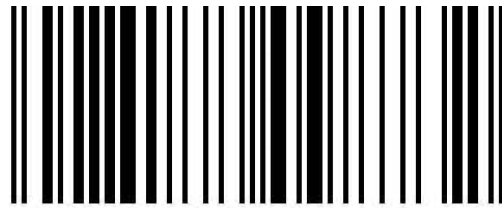


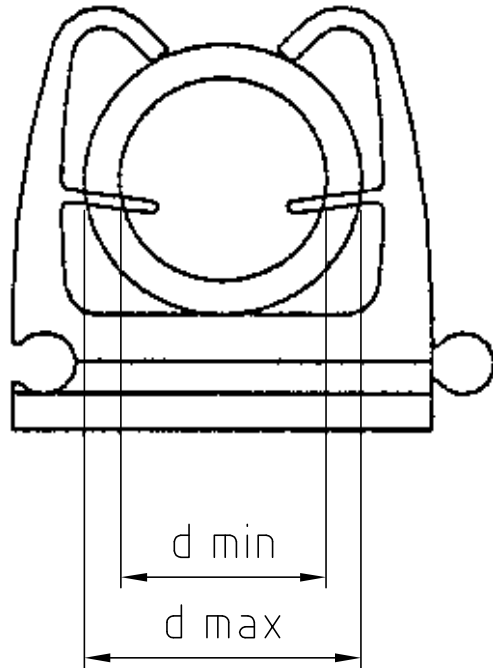
TS
4319.090



4028177098732

Raum für Verpackungsdatum
Area for date of packing
(MMJJTT / MMYDD)

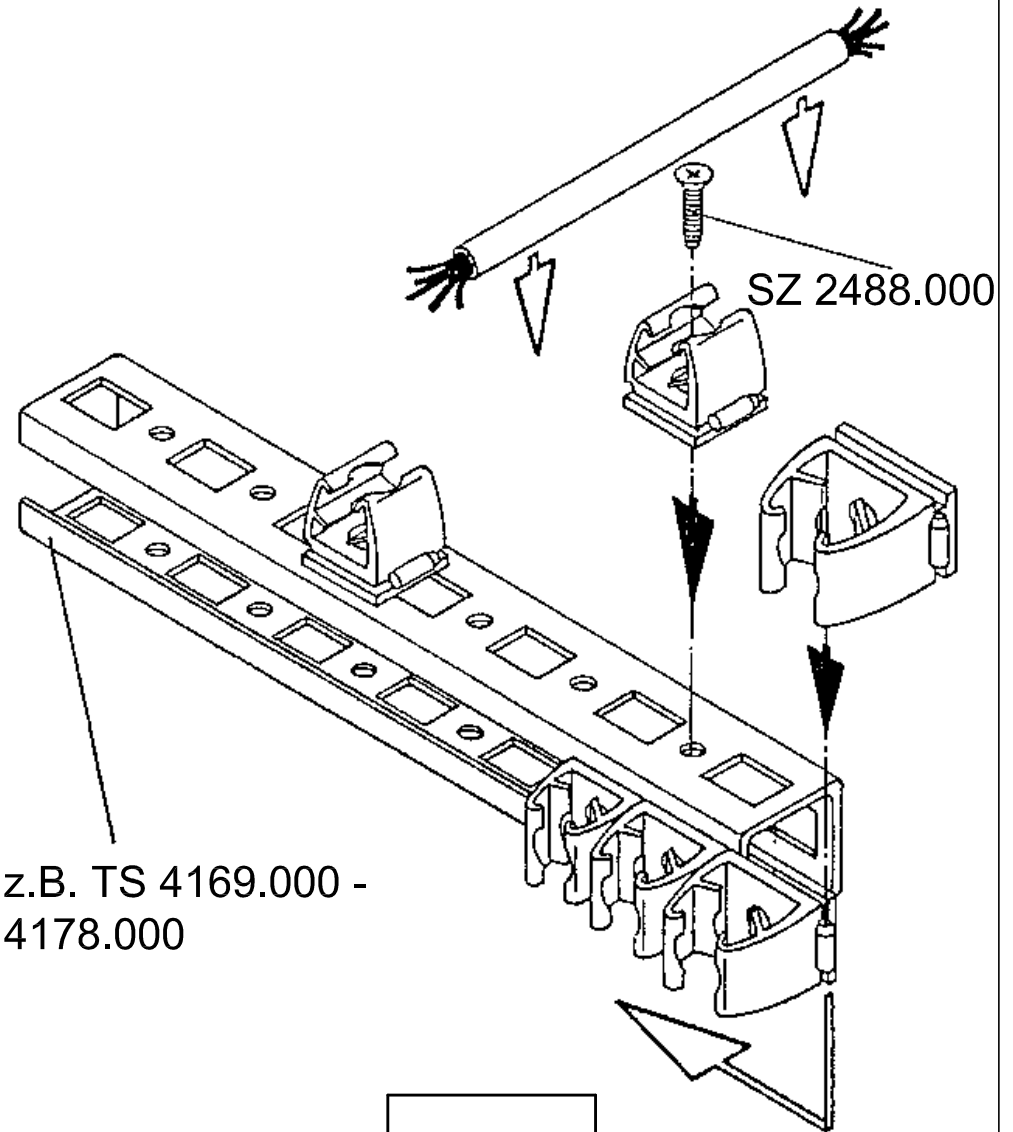
50x



d min = 6mm
d max = 9mm

Zchn.-Nr. / No. of dwg. : A1368402TS
Versandbeutel-Nr. / No. of accessory bag : -

Made in xxx
Lieferanten-Nr. / No. of supplier :



z.B. TS 4169.000 -
4178.000

