

## Cross laser, red, 635 nm, 90 °, 5 mW

CB635-5-5(16x45)-CON  
Order Number: 70133486

Main Parameters (*)	min	typ	max	Unit
Wavelength		635		nm
Optical Output Power		5		mW
Operating Voltage	4.5	5	5.5	V DC
Operating Current	20	35	55	mA
Operating Temperature	-20		50	°C
Storage Temperature	-40		80	°C

### Main Data

Warranty	1 years
----------	---------

### Technical Parameters

Lifetime	> 10,000 h
RoHS	yes

### Optical Parameters

Beam Shape	Cross
Laser Class	1
Divergence	B - 0.3 mrad
Fan Angle	90 °
Line Thickness	<1.5mm@3m
Operating Distance	3 m
Optics	glass lens AR coated
Laser technology	Single Mode Diode
Focus	fixed (3000mm)
Verticality	< ± 0.5 °

### Electrical Parameters

Potential of Housing	isolated
Connector	2.1 mm DC plug (GND pole inner)
Power Supply	LFNT-5

### Mechanical Parameters

Size	Ø16x45 mm
Material	aluminium
Cable length	100 mm
Wire type	26AWG, 0,14mm <sup>2</sup>
Output Aperture	7 mm
Housing Color	black
Weight	23.5 g

(\*) Over the complete operating temperature range

## Features

- Operating Voltage 5 V DC
- Fan angle 90 °
- Laser Class 1
- Compact size
- Uniform line thickness

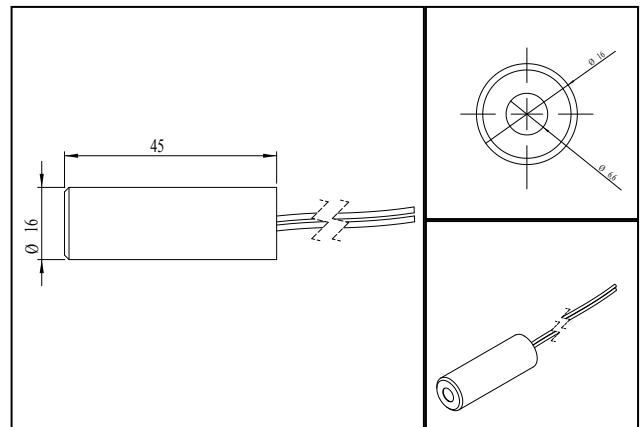
## Picture



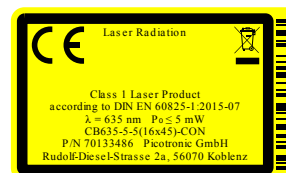
## Cable color

Ground		black	GND
positive		red	4.5 - 5.5, typ 5 V DC

## Drawing



## Safety Label



## Valid Revision

| 22-MAY-2018