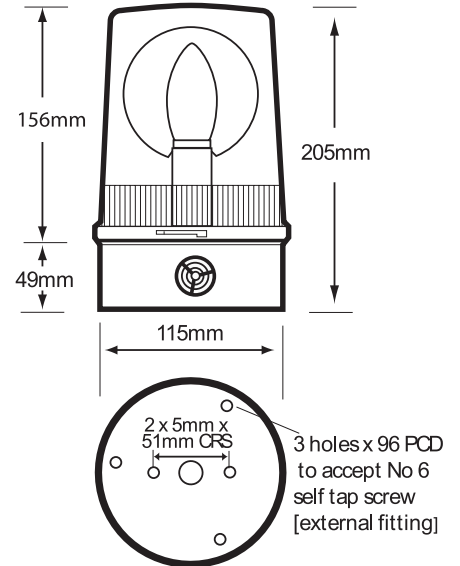




# Visual Signals **ROTATING BEACONS**



## Industrial Rotating Beacons > RA201/200 Series

### Product overview

The RA201/200 series beacon is a cost effective, single stage alarm, suitable for a wide range of applications where a powerful & commanding signal is required.

It incorporates a parabolic reflector which, when energised, revolves around a continuously illuminated lamp. This creates a powerful beam of light that sweeps through 360 degrees. The reflector is driven by a twin belt drive

system that is powered by a series wound motor for 'AC' units and a permanent magnet motor for 'DC' units.

In addition the unit incorporates a Piezo buzzer on the side of the base that is automatically activated when the light source is energised.

The buzzer cannot be powered independently of the beacon on the standard model. However independent buzzer control units can be made to order. The design allows for termination inside the enclosure through the base.

## RA201/200 Series > Ordering Information

Code No:	Voltage:	Light Source:	Current:
RA201-20	12v Dc ---	H1 x 55w	4.70 A
RA201-21	24v Dc ---	H1 x 70w	3.00 A
RA201-64	48v Dc ---	Ba15d x 35w	0.75 A
RA200-03	24v Ac ~	Ba15d x 48w	2.00 A
RA200-02	48v Ac ~	Ba15d x 35w	0.75 A
RA200-24	115v Ac ~	Ba15d x 60w	0.55 A
RA200-25	230v Ac ~	Ba15d x 60w	0.29 A

ADD THE FOLLOWING LENS CODES TO THE PRODUCT WHEN ORDERING **01** **02** **03** **04** **05**

### Features

- Continuously rated
- Suitable for surface, conduit box or wall mounting
- Optional wall bracket & guard available - see accessories
- 2 point fix
- Magnetic base versions available
- Low current consumption options
- 360° light output around the vertical axis
- Dustproof and Weatherproof

### Material

UV Stable Polycarbonate Lens  
UV Stable ABS Mounting Base

**Kg** 0.86

50 **Hz**

°C -10+55

**IP** 65

**RPM** 160 Dc

**RPM** 120 Ac

APPROVALS and CONFORMITIES



**dB** 95