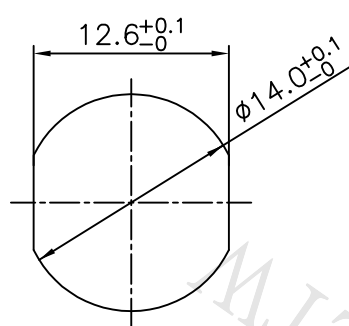
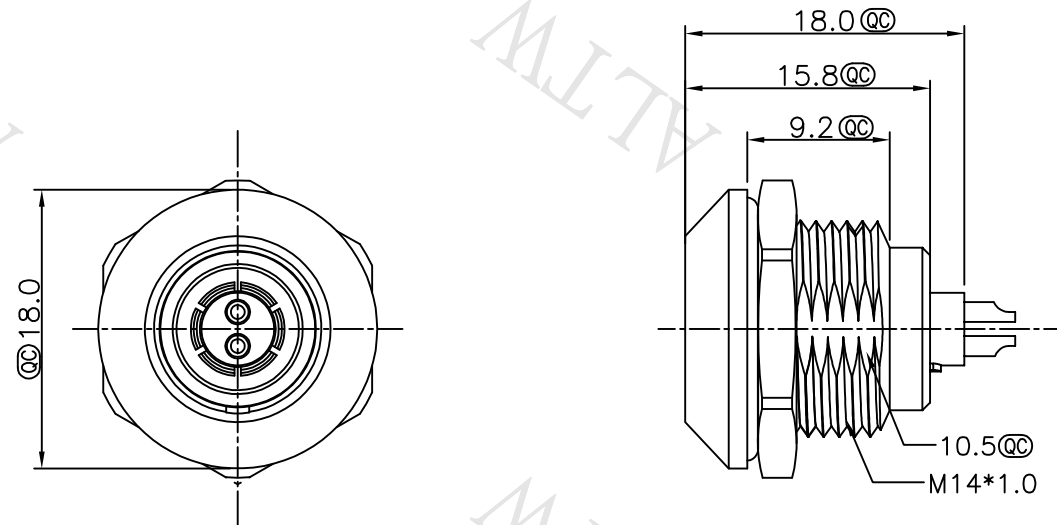
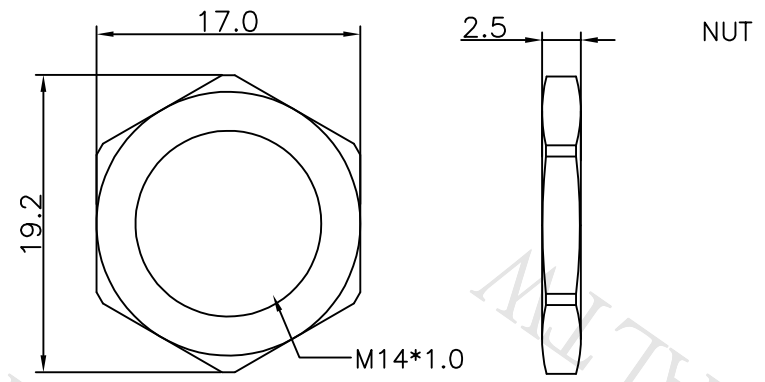


REV.	DESCRIPTION

THIS DOCUMENT IS SUBJECT TO CHANGE WITHOUT NOTICE. IT IS CONFIDENTIAL AND A PROPERTY OF Amphenol LTW. DISCLOSURE TO THIRD PARTY HAS TO BE AUTHORIZED BY Amphenol LTW.



Conn.
Pin Assignments
Front View



- Notes:
- * Ⓞ Important Dimensions To Check.
 - * Waterproof Rate: IP68(Mated)
 - * Female Pin: Copper Alloy, Gold Plated.
 - * Use Panel Thickness Max: 6.0mm

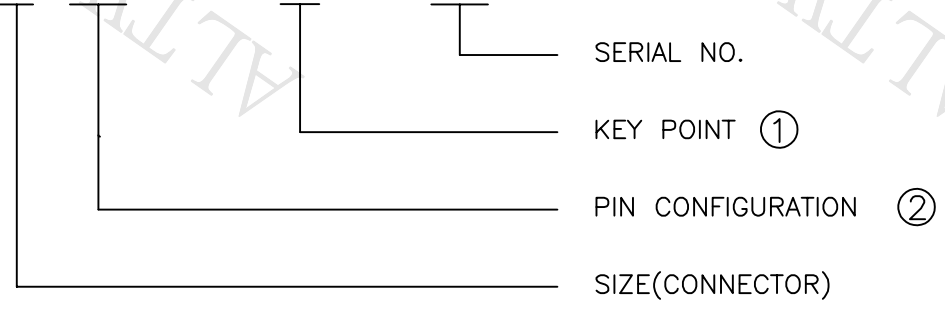
UNIT:mm	TITLE FLO OK PANEL CONNECTOR	
TOLERANCE ±0.5MM	SCALE Free	SHEET 1 OF 2
REV. 01	SIZE A4	Ⓞ : Inspection Item

Amphenol LTW
安費諾亮泰企業股份有限公司

ITEM NO FLKB-XXEGFS-XCP-XXX	DRAWN BY Ouyang	DATE 2018/09/05
DWG NO FLKB-XXEGFS-XCP-XXX	CHECKED BY Mafei	DATE 2018/09/05
CUSTOMER ALTW	APPROVED BY Jerry	DATE 2018/09/05

THIS DOCUMENT IS SUBJECT TO CHANGE WITHOUT NOTICE. IT IS CONFIDENTIAL AND A PROPERTY OF Amphenol LTW. DISCLOSURE TO THIRD PARTY HAS TO BE AUTHORIZED BY Amphenol LTW.

FLKB-XXEGFS-XCP-XXX



KEY POINT

CODE ①	G	A	B	C	D
	0°	30°	45°	60°	95°
GRAPHIC					

PIN CONFIGURATION (Solder Definition) ②

GRAPHIC							
	2 PIN	3 PIN	4 PIN	5 PIN	6 PIN	7 PIN	9 PIN

UNIT:mm		TITLE FLO OK PANEL CONNECTOR	
TOLERANCE	±0.5MM	SCALE Free	SHEET 2 OF 2
REV.	01	SIZE A4	QC : Inspection Item

Amphenol LTW
安費諾亮泰企業股份有限公司

ITEM NO FLKB-XXEGFS-XCP-XXX	DRAWN BY Ouyang	DATE 2018/09/05
DWG NO FLKB-XXEGFS-XCP-XXX	CHECKED BY Mafei	DATE 2018/09/05
CUSTOMER ALTW	APPROVED BY Jerry	DATE 2018/09/05