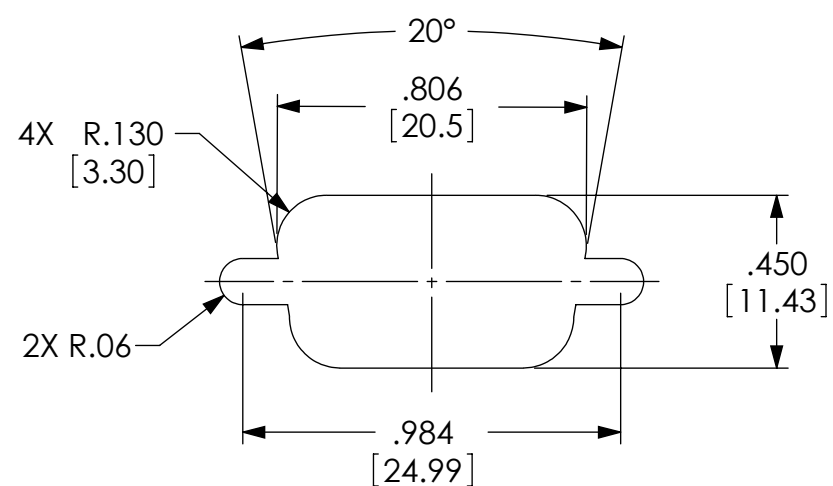


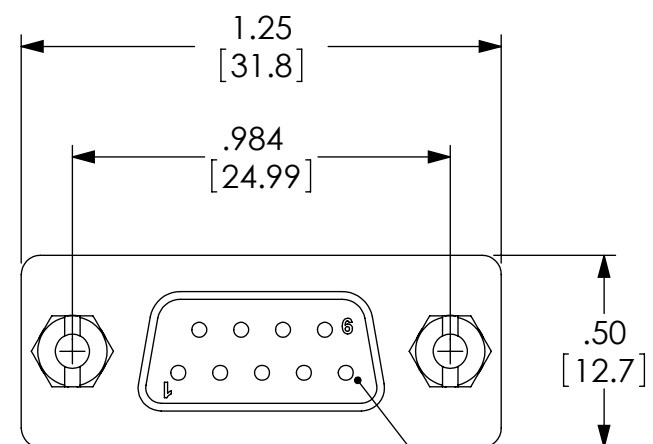
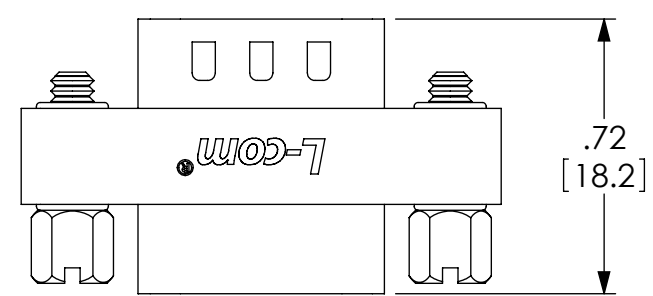
THE INFORMATION CONTAINED IN THIS DRAWING IS THE SOLE PROPERTY OF L-COM, INC. ANY REPRODUCTIONS IN PART OR WHOLE WITHOUT THE WRITTEN PERMISSION OF L-COM, INC. IS PROHIBITED.

REVISIONS			
REV	DESCRIPTION	DATE	CHANGED BY
A	RELEASED FOR PRODUCTION	02/16/01	MCCORMICK
B	ECN 1781 DRAWING UPDATE	06/30/04	MCCORMICK
C	ECN 4016: ADD SHELL TO SHELL IN WIRE MAP, NEW FORMAT	5/20/09	D.FRISIELLO

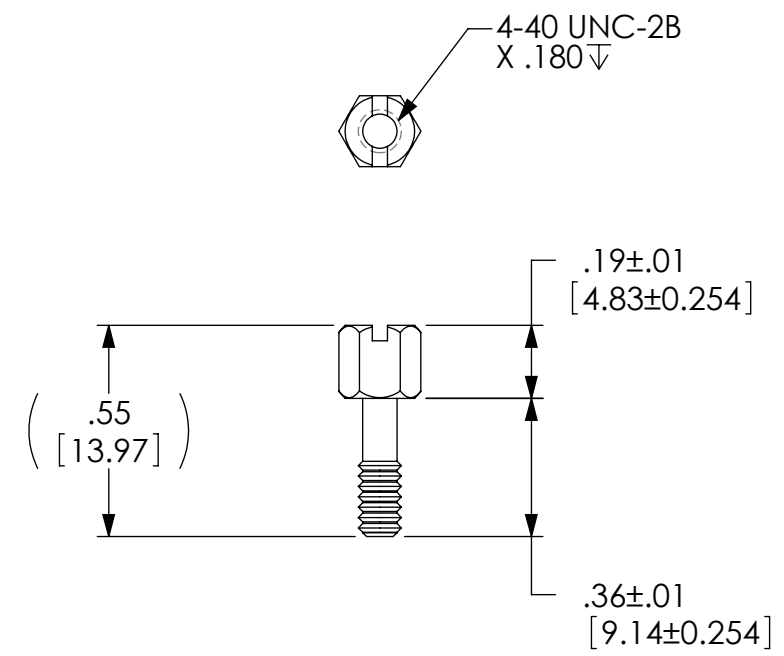


RECOMMENDED PANEL OPENING  
(MAX PANEL THICKNESS: 0.06")

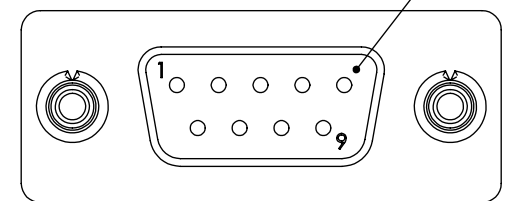
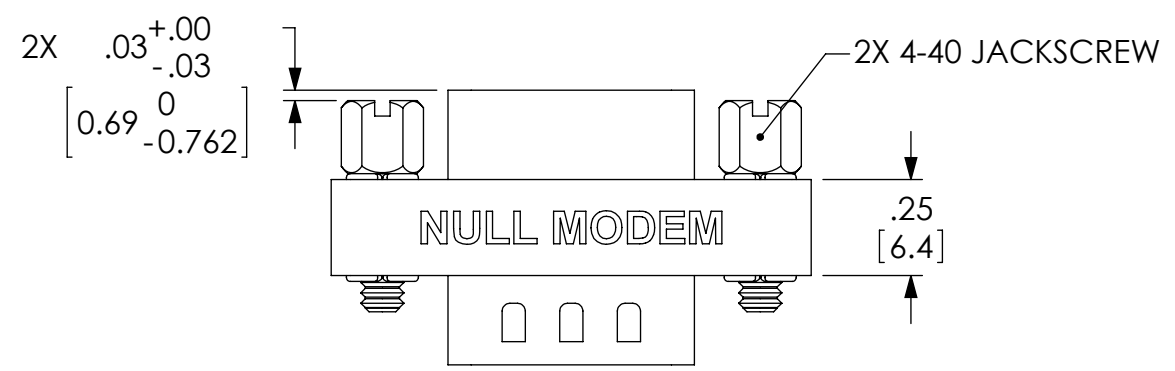
DB9F	DB9M
PIN 1 & 6	PIN 4
PIN 2	PIN 3
PIN 3	PIN 2
PIN 4	PIN 1 & 6
PIN 5	PIN 5
PIN 7	PIN 8
PIN 8	PIN 7
N/C	N/C
SHELL	SHELL



FEMALE, 9 PIN  
D-SUB CONNECTOR



JACKSCREW  
SPECIFICATION



MALE, 9 PIN  
D-SUB CONNECTOR

NOTES:

MATERIAL:  
SHELL: STEEL  
CONTACTS/TERMINALS: COPPER ALLOY  
HARDWARE: BRASS  
INSULATOR: PBT FIBER REINFORCED (UL94V-0)

FINISH:  
SHELL: TIN/NICKEL PLATE  
CONTACTS/TERMINALS: GOLD FLASH PLATED: 1-1.5μ INCHES.  
HARDWARE: NICKEL PLATED.

LABELING:  
PANTONE 2945 BLUE. "L-COM" FONT MyriaMM ITALIC.  
"NULL MODEM" FONT ARIAL BOLD, TEXT HEIGHTS; .085"  
TEXT COLOR; WHITE.

ELECTRICAL:  
CURRENT RATING: 3 AMP

COMPONENT SHALL BE TESTED FOR CONTINUITY.  
COMPONENT SHALL BE INDIVIDUALLY PACKAGED IN A POLY BAG.

UNLESS OTHERWISE SPECIFIED,  
DIMENSIONS ARE IN INCHES [mm]

DIMENSIONAL TOLERANCES:  
.X = ±.1  
.XX = ±.01  
.XXX = ±.005

ANGULAR TOLERANCES:  
ALL = ± 1°

PROJECTION

APPROVALS	DATE
DRAWN BY C.MCCORMICK	02/12/2001
CHECKED BY D.PARHAM	02/12/2001
APPROVED BY R.CARRICK	02/12/2001

CONFIGURATION DETAILS OF UNDIMENSIONED FEATURES MAY VARY

COLOR VARIATIONS MAY OCCUR

**L-com** Global Connectivity 45 BEECHWOOD DRIVE NORTH ANDOVER, MA 01845

CATEGORY

PRODUCT DESCRIPTION  
**NULL MODEM, DB9 MALE/FEMALE**

SIZE <b>B</b>	FSCM NO. <b>43321</b>	DWG. NO. <b>DMA060MF</b>	REV. <b>C</b>
------------------	--------------------------	-----------------------------	------------------

SCALE: 2:1 CAD FILE: DMA060MF.SLDDRW SHEET 1 OF 1