

Hubbell Gives You

More Ways to Charge Faster!

Device Charging Centers



Charge Devices
Simultaneously!



USB Stainless Steel Ports Rated for Minimum 10,000 Insertions and Removals

USB Charger Receptacles and Outlets

Features

More Ways to Charge Faster

Hubbell's USB Charger Duplex Receptacle provides both USB and electrical power in a standard single gang opening. Designed to provide maximum charging for portable electronics, the USB ports are capable of charging two tablets simultaneously.

The 4 Port Charger Outlet features a USB port door, which when open enables power. When closed, all power is switched off. This eliminates all current flow for a "zero" no-load draw. Buildings looking to provide 100% green efficiency in power delivery will maximize LEED and energy efficient design.

Designed for use with:

- Apple® Products
 - iPad®
 - iPod®
 - iPhone®
- Tablet computers
- Digital Readers
- Mobile Phones
- MP3 Players
- Smart Phones
- Smart Watches
- GPS
- USB fans, lights and accessories
- Other USB compatible products

USB Charger Duplex Receptacles

Receptacles Features

- Two USB ports 3 Amp, 5V DC, type A, class 2.0
- Tamper-Resistant decorator duplex receptacle
- Standard and Hospital grade
- cULus listed to UL498 and UI
- cETLus listed to UL498 and UL1310 (SNAPConnect®)



Duplex TR



SNAPConnect®

Common Features

- Green LED indicator to show USB power available
- USB stainless steel ports rated for minimum 10,000 insertions and removals
- Complies with battery charging specification USB BC1.2
- Compatible with USB 1.1/2.0/3.0 devices, including Apple® products

USB Charger 4 Port Outlet



4 Port

4 Port Features

- Four USB ports 5 Amp, 5V DC, type A, class 2.0
- Switch activated port door; when open enables power. When closed, all power is switched off, for a "zero" no-load draw
- cETLus listed to UL1310



Apple, iPad, iPod and iPhone are registered trademarks of Apple Inc.



USB Charger Receptacles and Outlets

Ordering Information

Standard USB Charger Duplex Receptacles



Description	Color	15A 125V AC	20A 125V AC
USB Charger Tamper-Resistant Receptacle, two USB type 2.0 ports 3 Amp, 5 Volt DC, 15 or 20 Amp, 125 Volt AC, Style Line® decorator duplex	Black	USB15X2BK	USB20X2BK
	Brown	USB15X2	USB20X2
	Gray	USB15X2GY	USB20X2GY
	Ivory	USB15X2I	USB20X2I
	Light Almond	USB15X2LA	USB20X2LA
	White	USB15X2W	USB20X2W
Hospital Grade USB Charger Tamper-Resistant Receptacle, two USB type 2.0 ports 3 Amp, 5 Volt DC, 15 or 20 Amp, 125 Volt AC, Style Line® decorator duplex	Black	USB8200BK	USB8300BK
	Brown	USB8200	USB8300
	Gray	USB8200GY	USB8300GY
	Ivory	USB8200I	USB8300I
	Light Almond	USB8200LA	USB8300LA
	Red	USB8200R	USB8300R
White	USB8200W	USB8300W	



USB15X2W



USB8300W

SNAPConnect® USB Charger Duplex Receptacles



Description	Color	15A 125V AC	20A 125V AC
SNAPConnect® USB Charger Tamper-Resistant Receptacle, two USB type 2.0 ports 3 Amp, 5 Volt DC, 15 or 20 Amp, 125 Volt AC, Style Line® decorator duplex	Black	SNAP15USBBK	SNAP20USBBK
	Brown	SNAP15USB	SNAP20USB
	Gray	SNAP15USBGY	SNAP20USBGY
	Ivory	SNAP15USBI	SNAP20USBI
	Light Almond	SNAP15USBLA	SNAP20USBLA
	White	SNAP15USBW	SNAP20USBW
Hospital Grade SNAPConnect® USB Charger Tamper-Resistant Receptacle, two USB type 2.0 ports 3 Amp, 5 Volt DC, 15 or 20 Amp, 125 Volt AC, Style Line® decorator duplex	Black	SNAP8200USBBK	SNAP8300USBBK
	Brown	SNAP8200USB	SNAP8300USB
	Gray	SNAP8200USBGY	SNAP8300USBGY
	Ivory	SNAP8200USBI	SNAP8300USBI
	Light Almond	SNAP8200USBLA	SNAP8300USBLA
	Red	SNAP8200USBR	SNAP8300USBR
White	SNAP8200USBW	SNAP8300USBW	



SNAP15USBW



SNAP8300USBW

SNAPConnect® Right Angle Pigtailed Connector

Description	Wire Type	Catalog Number
Clear right angle terminal with 6 inch leads #12 AWG THHN/THWN-2; Polycarbonate housing material	Solid	SNAP1RA
	Stranded	SNAP2RA



SNAP1RA

USB Charger 4 Port Outlet



Description	Color	Catalog Number
USB Charger 4 Port Outlet, four USB type 2.0 ports, 5 Amp, 5 Volt DC, Style Line® decorator	Black	USB4BK
	Brown	USB4
	Gray	USB4GY
	Ivory	USB4I
	Light Almond	USB4LA
	White	USB4W



USB4W

These receptacles/outlets are capable of delivering either 3 or 5 amps, 5V DC of USB power. If multiple portable devices are plugged in, the individual ports will allocate power as determined by the portable devices. Suitable for use on circuits with AFCI and GFCI protection.

USB Charger Receptacles and Outlets

Applications

Hubbell's USB Charger Duplex Receptacle provides both USB and electrical power in a standard single gang opening to provide more charging options.

Ideal for use in new construction and in double gang combinations with outlets.



Typical Applications

Ideal for use in new construction and renovation to add capacity for USB charging. Especially suited for use in:

- Offices
- Hotels
- Schools
- Hospitals
- Airports
- Homes
- and more

Energy Information

USB Charger	Energy consumed when USBs are not in use		Energy consumed when USBs are fully used	
Duplex Receptacle	No Load Current	.10A	Full Load Current	.323A
	No Load Watts	.63W	Full Load Watts	19.7W
SNAPConnect® Receptacle	No Load Current	.004A	Full Load Current	.323A
	No Load Watts	.21W	Full Load Watts	19.7W
4 Port Outlet	No Load Current	"0"	Full Load Current	.46A
	No Load Watts	"0"	Full Load Watts	29.3W



Spring activated door keeps USB ports protected. Shuts off power when not in use.

Ideal for use in renovations.



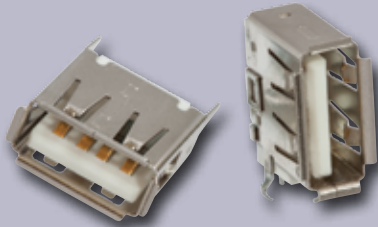
USB Charger Receptacles and Outlets

Q & A

Hubbell's USB Charger 4 Port Outlet is able to charge multiple portable devices simultaneously.



Heavy Duty Stainless Steel USB Ports



- Rated for minimum 10,000 insertions and removals
- Extends longevity to many years
- Firm holding connections

Why Design with a USB Charger?

- The USB Receptacle is a permanent solution for device charging, compatible with all USB powered portable devices. No more misplaced chargers or dealing with outlet clutter.
- The Hubbell USB Receptacle is designed to last. Its current transformer converts AC power to DC, providing clean, stable power, low heat, and longevity. Plug-in cubes and adapters tend to have a short product life, making the USB Receptacle the economical choice.
- Offering an industry-leading 3 amps of power at 5V DC, the Hubbell USB Duplex has the power to charge your device quickly. The 4 Port has 5 amps of available power for a similarly rapid charge.

Performance vs. Energy

- While our devices provide a fast charge, they also excel in efficiency when not in use. When it is not active, the USB Duplex enters a sleep mode and consumes minimal power. The 4 Port cuts power completely when the shutter is closed, making it our "Go Green" recommendation.

Where Should a USB Outlet be Installed?

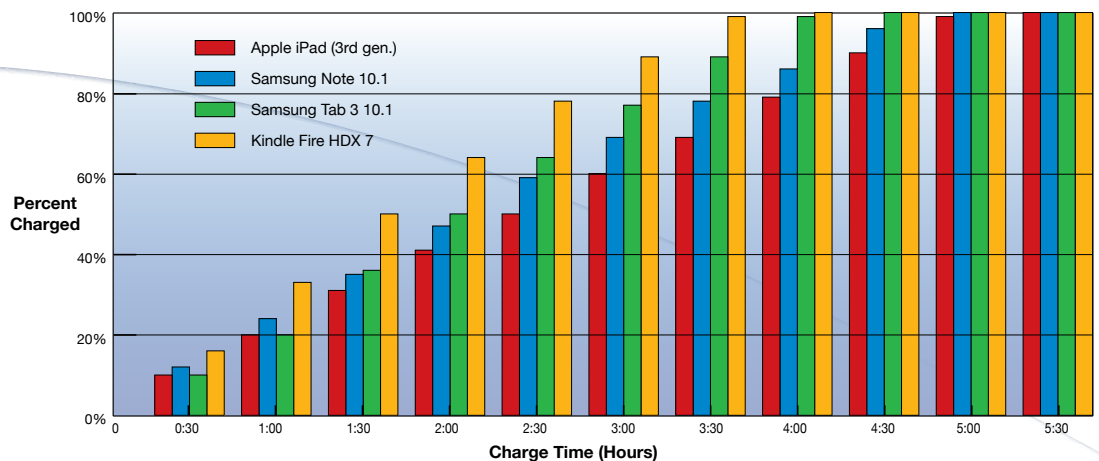
- Anywhere people work, meet or rest, they need access to charging power. Common spaces for charging include desks, counter-tops and end-tables. If you've seen a portable charger in a wall-box, it's a good choice for a permanent solution.
- It's not just for private homes: USB Receptacles are quickly becoming a standard in offices, airports, hospitals and other commercial spaces. From nurses who use tablets for patient care to business people charging their phones before their flights, everyone needs a quick charge -- and the Hubbell USB Receptacle line is the best choice for the job!

For more information visit www.hubbell-wiring.com, go to FAQ under the Technical tab.

How Fast Does it Charge?

There are many variables which determine total charging time like battery age, cord quality and length, and device condition. Hubbell's USB Chargers are designed to deliver more amperage. This enables you to get more power immediately when plugging in multiple portable devices. The individual ports will allocate power as determined by the portable devices. Below is testing done on some of the most popular products.

Charging Time with 4 Port USB Outlet



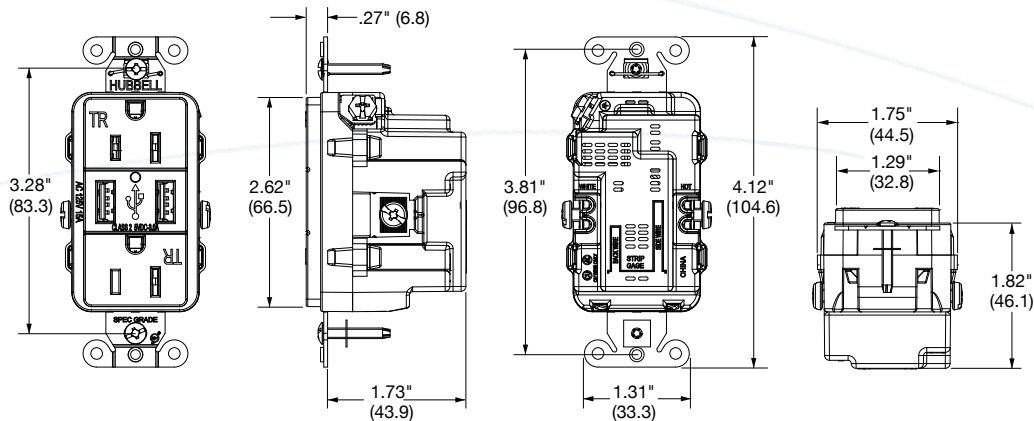
USB Charger Receptacles and Outlets

Technical Information

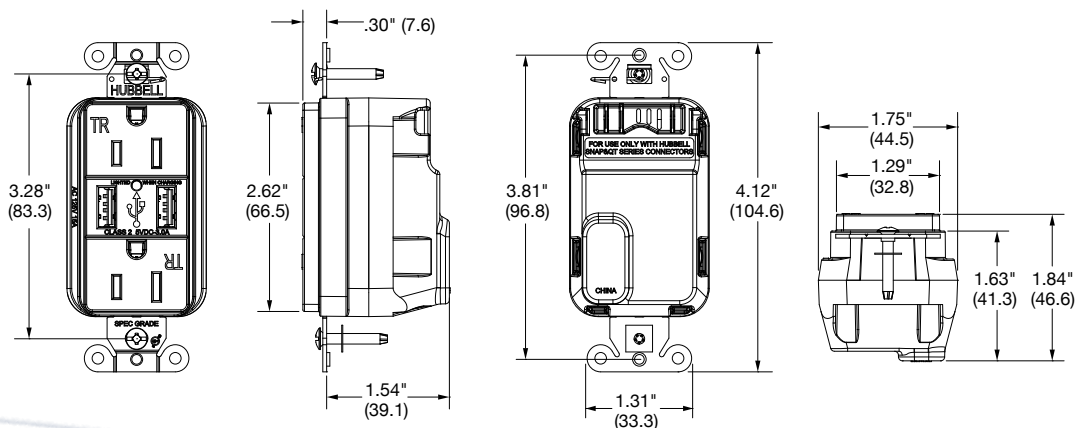
Hubbell's SNAPConnect® USB Charger Duplex Receptacle provides both USB and electrical power in a standard single gang opening to provide more charging options.

Dimensions Inches (mm)

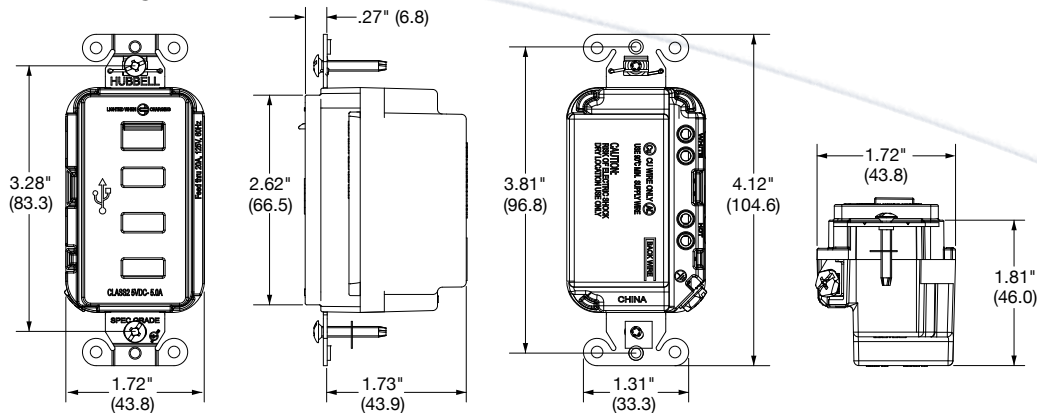
Duplex Charger



SNAPConnect® Charger



4 Port Charger



Specifications

- Rating:
 - Duplex USB: 3 Amp, 5V DC
 - 4 Port USB: 5 Amp, 5V DC
- Input voltage: 125V AC, 60Hz
- Circuit feed-through 20 Amp, 125 Volt
- #14-10 AWG gauge wire terminals (SNAPConnect® duplex optional)
- Dielectric withstand: 1500V AC for 1 minute
- Operating temperature:
 - Maximum continuous 75°C;
 - Minimum -40°C (without impact)
- Meets UL94 for 5V flammability rating
- Complies with battery charging specification USB BC1.2
- Compatible with USB 1.1/2.0/3.0 devices, including Apple® products
- Complies with Part 15 of the FCC rules

Apple is a registered trademark of Apple Inc.

HUBBELL®
Wiring Device-Kellems

www.hubbell-wiring.com

