

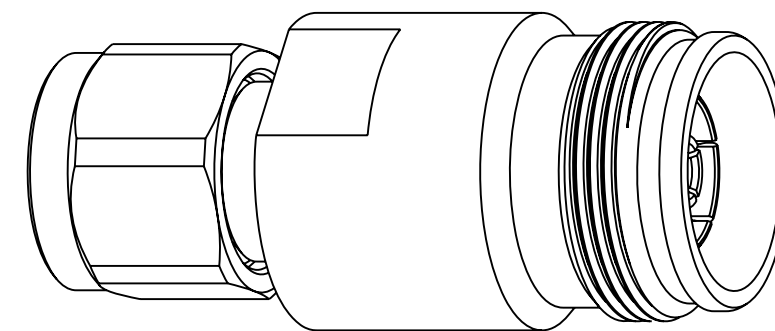
NOTES:

- 1. MATERIALS AND FINISHES:  
 BODY - BRASS, WHITE BRONZE PLATING  
 CONTACT - BeCu, SILVER PLATING  
 INSULATOR - PTFE, NATURAL
- 2. ELECTRICAL:  
 A. IMPEDANCE: 50 OHM  
 B. FREQUENCY RANGE: DC - 6 GHz  
 C. VSWR(RETURN LOSS): 30 dB @ DC - 2 GHz  
                               25 dB @ 2 - 6 GHz  
 D. INTERMODULATION 3RD ORDER: -166 dBc MAX. (2\*43 dBm)  
 E. DIELECTRIC WITHSTANDING VOLTAGE: 2500 VRMS, MIN.  
 F. INSULATION RESISTANCE: 5000 MΩ MIN.
- 3. MECHANICAL:  
 A. DURABILITY: 100 CYCLES MIN. (4.3-10 SIDE)  
                       100 CYCLES MIN. (2.2-5 SIDE)  
 B. TEMPERATURE RANGE: -55° C TO 100° C
- 4. PACKAGING:  
 A. QUANTITY: SINGLE PACK  
 B. MARKING: PACKAGING TO BE MARKED  
               "AMPHENOL RF, AD-4310J225P-1, AND DATE CODE"

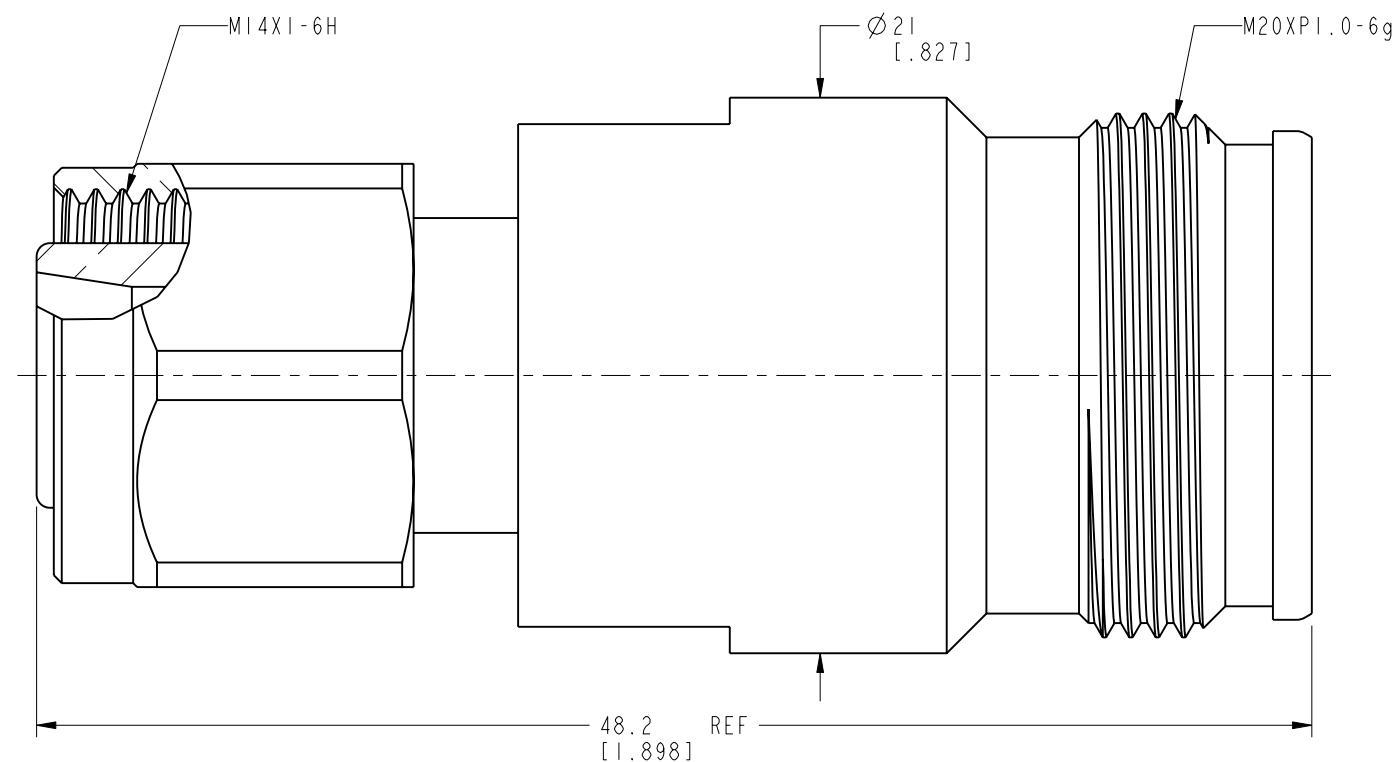
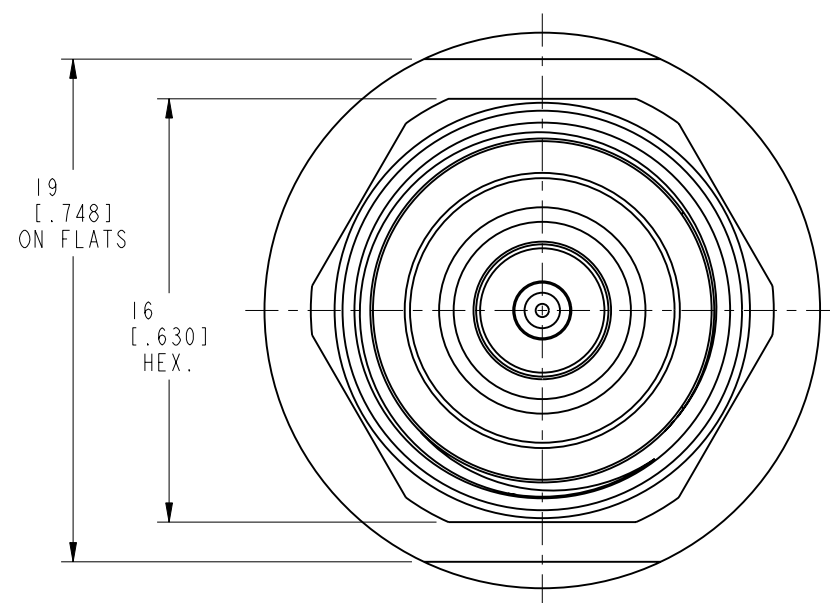
THIRD ANGLE PROJ.

REVISIONS

REV	DESCRIPTION	DATE	ECN	APPR
A	RELEASE TO MFG	03-Dec-18	09804	SV



SCALE 2.000



**CUSTOMER OUTLINE DRAWING**  
 ALL OTHER SHEETS ARE FOR INTERNAL USE ONLY

UNLESS OTHERWISE SPECIFIED, DIMENSIONS ARE IN METRIC AND TOLERANCES ARE:  
 <math><0.5\text{mm}</math>    0.5 - 6mm    6 - 30mm    30 - 120mm    ANGLES  
 $\pm 0.05\text{mm}$     $\pm 0.1\text{mm}$     $\pm 0.2\text{mm}$     $\pm 0.3\text{mm}$     $\pm 1^\circ$

NOTICE - These drawings, specifications, or other data (1) are, and remain the property of Amphenol corp. (2) must be returned upon request; and (3) are confidential and not to be disclosed to any person other than those to whom they are given by Amphenol Corp. the furnishing of these drawings, specifications, or other data by Amphenol Corp., or to any other person to anyone for any purpose is not to be regarded by implication or otherwise in any manner licensing, granting rights to permitting such holder or any other person to manufacture, use or sell any product, process or design, patented or otherwise, that may in any way be related to or disclosed by said drawings, specifications, or other data.

MATERIAL SEE NOTES	DRAWN K. SONG	DATE 05-Dec-18	TITLE 2.2-5 PLUG TO 4.3-10 JACK ADAPTER
REFERENCE EAR# 8104 REF: ---	ENGINEER S. VO	DATE 15-May-18	
CONFIGURATION LEVEL: In Work	APPROVED S. HSIEH	DATE 11-Dec-18	
FINISH	CAD FILE	SCALE: 3.5:1.0	
		DWG SIZE B	

DATE 05-Dec-18	SHEET 2 OF 2
DATE 15-May-18	REV A
DATE 11-Dec-18	

REV A	

<b>Amphenol RF</b> www.amphenolrf.com		
DRAWING NO.	AD-4310J225P-1	
ITEM NO.	AD-4310J225P-1	
PART NO.	AD-4310J225P-1	