

NOTES:

1. MATERIALS AND FINISHES:
 BODY, CLAMP NUT, SHELL & HALF WASHER - BRASS, NICKEL PLATING
 CONTACT - BRASS, GOLD PLATING
 OUTER CONTACT - PHOSPHOR BRONZE, NICKEL PLATING
 FERRULE - COPPER, NICKEL PLATING
 SPRING WASHER - BeCu, NICKEL PLATING
 BOOT - SILICONE RUBBER
 GASKET - SILICONE RUBBER, RED
 INSULATORS - PTFE, NATURAL

2. ELECTRICAL:
 A. IMPEDANCE: 50 OHM
 B. FREQUENCY RANGE: DC - 4 GHz

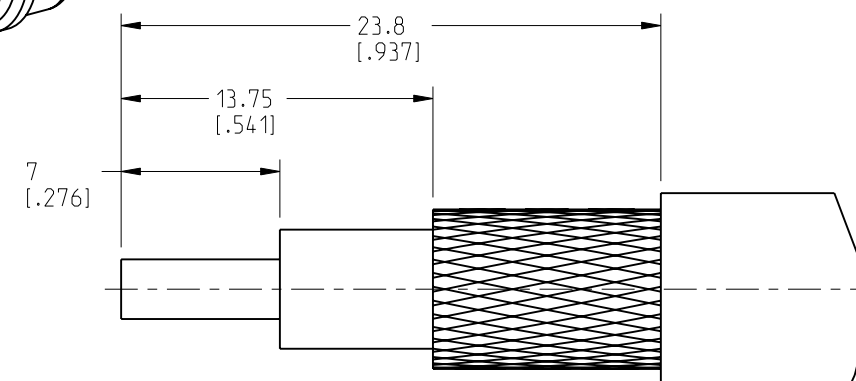
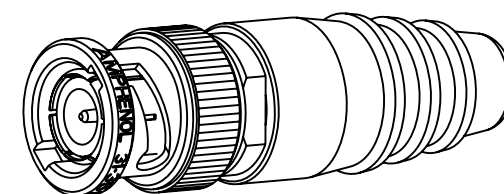
3. MECHANICAL:
 A. DURABILITY: 500 CYCLES MIN.
 B. TEMPERATURE RANGE: -65°C TO +165°C

4. PACKAGING:
 A. QUANTITY: SINGLE PACK IN ANTI-STATIC BAG
 B. MARKING: PACKING TO BE MARKED
 "AMPHENOL RF, 31-351 AND DATE CODE"

5. CABLE ASSEMBLY INSTRUCTIONS:
 A. REFER TO AMPHENOL DRAWING, 123-219 FOR
 CABLE TO CONNECTOR ASSEMBLY INSTRUCTIONS AND
 FOR SELECTION OF PROPER BRAID CRIMPING TOOL.

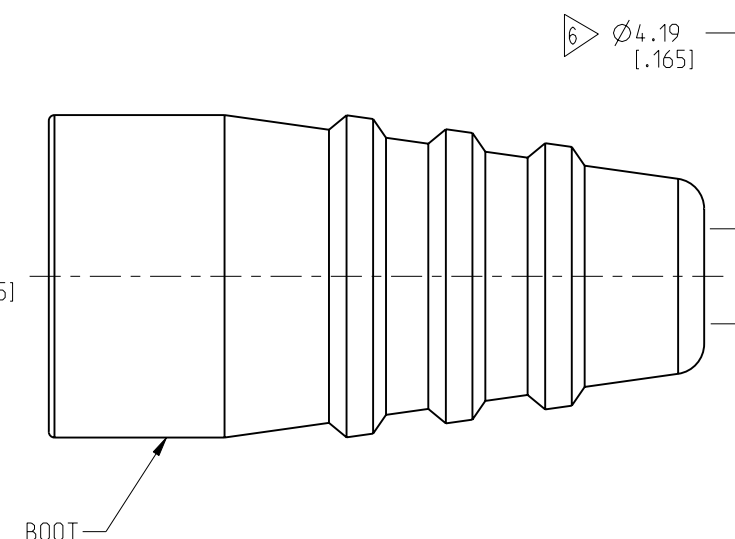
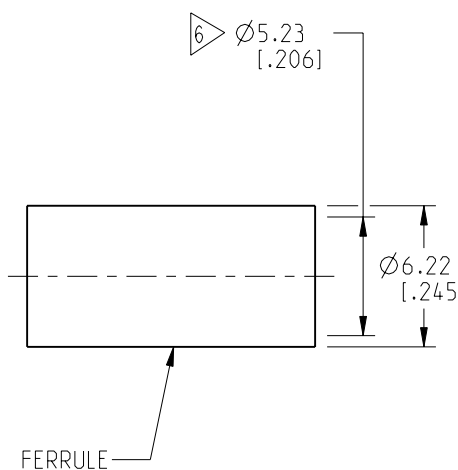
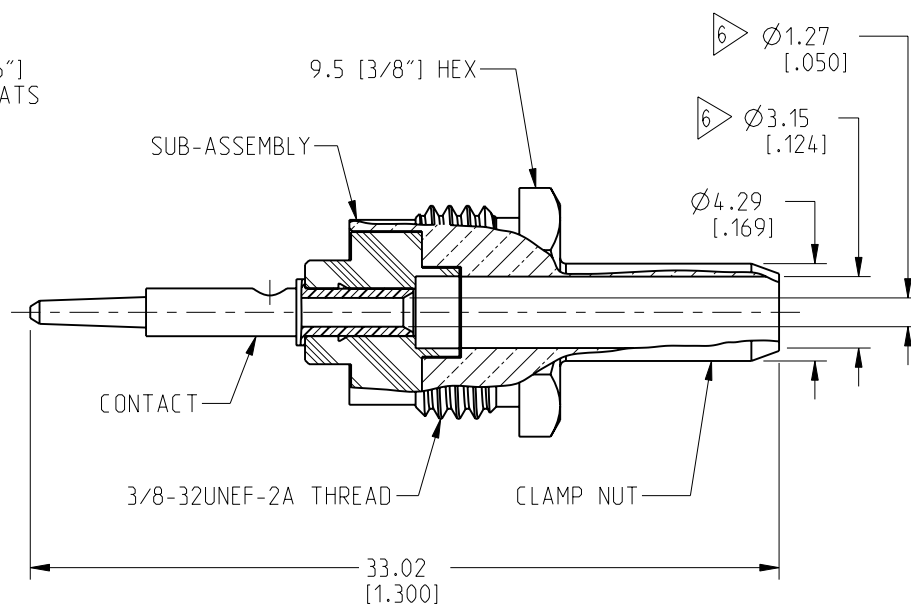
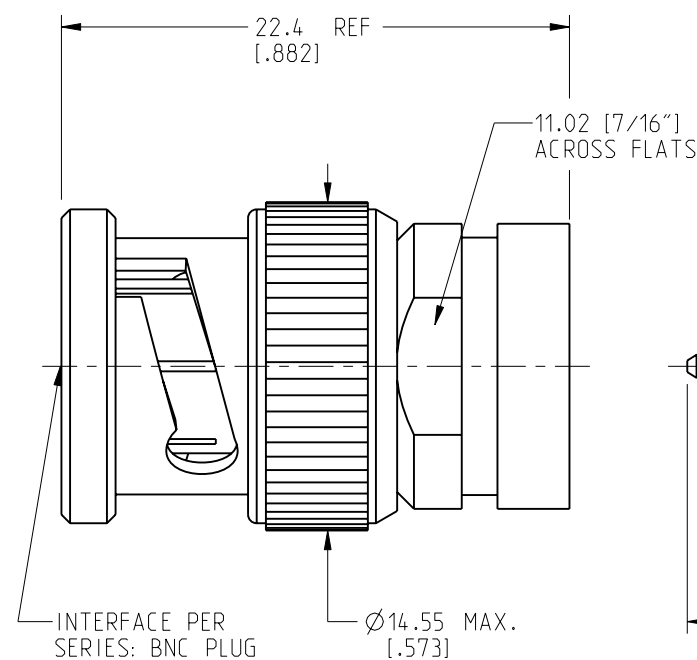
6 SHOWS CABLE ENTRY DIMENSIONS.

REVISIONS				
REV	DESCRIPTION	DATE	ECN	APPR
--	RELEASE TO MFG.	--	--	--
AB	REDRAWN IN CREO & COD SHEET ADDED	13-Oct-20	15344	SH



RECOMMENDED
CABLE STRIPPING DIM'S

STAMP "AMPHENOL 31-351"



CUSTOMER OUTLINE DRAWING

ALL OTHER SHEETS ARE FOR INTERNAL USE ONLY

NOTICE: These drawings, specifications, or other data (1) are, and remain the property of Amphenol corp. (2) must be returned upon request; and (3) are confidential and not to be disclosed to any person other than those to whom they are given by Amphenol Corp. The furnishing of these drawings, specifications, or other data by Amphenol Corp., or to any other person to anyone for any purpose is not to be regarded by implication or otherwise in any manner licensing, granting rights to permitting such holder or any other person to manufacture, use or sell any product, process or design, patented or otherwise, that may in any way be related to or disclosed by said drawings, specifications, or other data.

UNLESS OTHERWISE SPECIFIED
 DIMENSIONS ARE METRIC (INCHES) AND TOLERANCES ARE:
 <0.5mm = ±0.05mm [-0.020 = ±0.002]
 >0.5 - 6mm = ±0.1mm [0.020 - 0.236 = ±0.004]
 >6.00 - 30mm = ±0.2mm [0.236 - 1.181 = ±0.008]
 >30.00 - 120mm = ±0.3mm [1.181 - 4.725 = ±0.012]

MATERIAL
 SEE NOTES
 ENGINEER
 M.ZHANG

DATE
 10-Oct-20

TITLE
 QUICK CRIMP BNC STR PLUG
 FOR RG 58/U, 58 A/U,
 58 C/U, 141/U CABLE

SHEET NO. 3 OF 3 SCALE: 3.0:1.0

Amphenol RF		REV
		AB
		SIZE B DRAWING NO. 31-351 ITEM NO. 31-351 PART NO. 31-351

THIRD ANGLE PROJ.

REFERENCE
 D.O.R 340-25-7833

ANGLES = ±1°