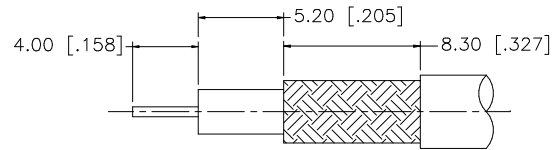
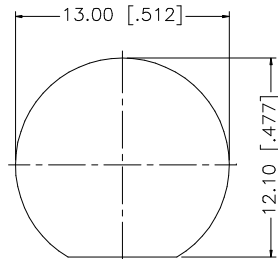
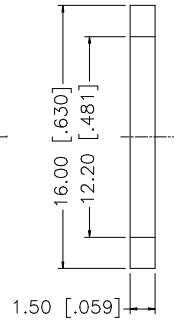
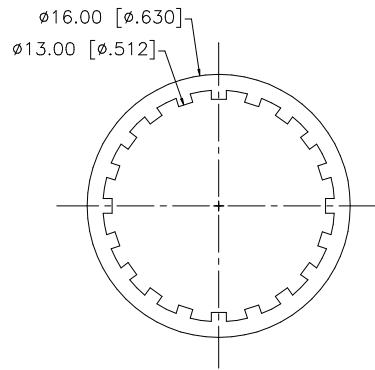
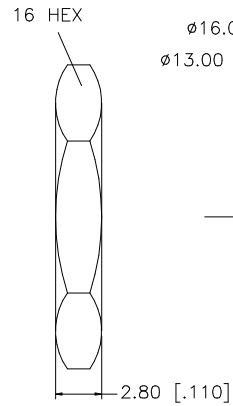


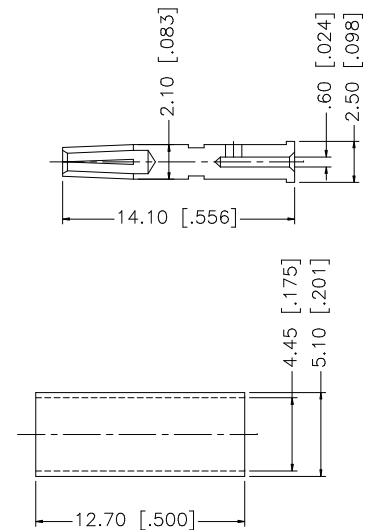
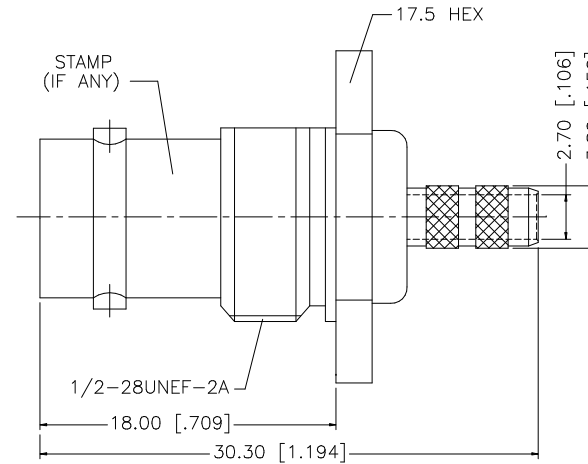
| REV. | DATE     | DESCRIPTION     |
|------|----------|-----------------|
| NC   | 02/21/03 | INITIAL RELEASE |



RECOMMENDED CABLE STRIPPING DIMENSIONS



RECOMMENDED MOUNTING HOLE



NOTE:

1. CRIMPED FERRULE  
HEX CRIMP SIZE .178"
2. CRIMPED CONTACT PIN  
HEX CRIMP SIZE .068"

| QTY | DESCRIPTION  | MATERIAL     | FINISH  |
|-----|--------------|--------------|---------|
| 1   | BODY/HOUSING | BRASS        | NICKEL  |
| 1   | INSULATOR    | TEFLON       | NATURAL |
| 2   | CONTACT PIN  | PHOS. BRONZE | GOLD    |
| 3   | GASKET       | RUBBER       | RED     |
| 4   | GASKET       | RUBBER       | RED     |
| 5   | LOCK WASHER  | BRASS        | NICKEL  |
| 6   | HEX NUT      | BRASS        | NICKEL  |
| 7   | FERRULE      | COPPER       | NICKEL  |

| QTY | DESCRIPTION          | MATERIAL | FINISH |
|-----|----------------------|----------|--------|
| 1   | DO NOT SCALE DRAWING |          |        |

| APPROVALS                  | DATE     |
|----------------------------|----------|
| DRAWN G.R.S.               | 02/24/03 |
| CHECKED                    |          |
| ISSUED                     |          |
| SHEET 1 OF 1               |          |
| CAD FILE C:/112/112568.DWG |          |

| PART DESCRIPTION                                   |          |
|--|----------|
| <b>Amphenol Connex</b>                             |          |
| BNC BULKHEAD CRIMP JACK<br>(FOR BELDEN 8218 CABLE) |          |
| PART NO. 112568                                    |          |
| DWG. NO. 112568.DWG                                | REV. NC  |
| SIZE A   | SCALE NA |