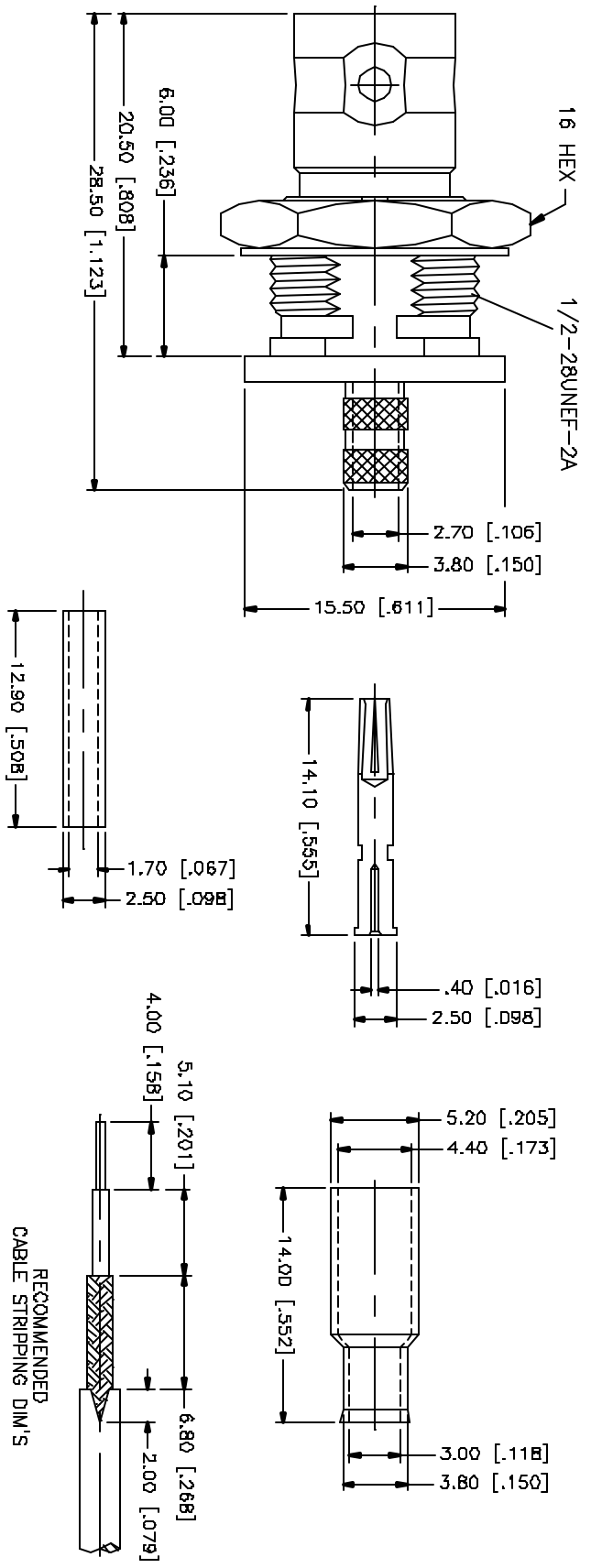
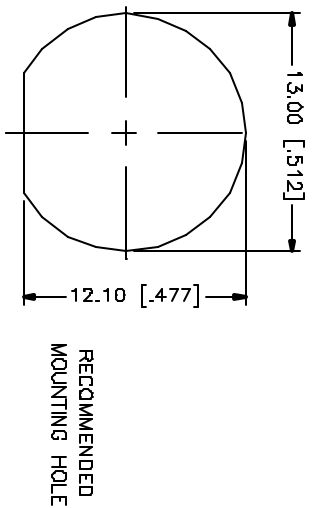


REV.	DATE	DESCRIPTION
A	03/08/05	UPDATE DRAWING FORMAT



DESCRIPTION	MATERIAL	FINISH	QTY	UNLESS OTHERWISE SPECIFIED DIMENSIONS ARE IN MILLIMETERS (PARENTS IN [] ARE IN INCHES AND FOR DATUMS RECOMMEND ONLY.)	APPROVALS	DATE	PART DESCRIPTION
1	INSULATOR BODY	DIE CAST NICKEL	1	UNLESS OTHERWISE SPECIFIED DIMENSIONS ARE IN MILLIMETERS (PARENTS IN [] ARE IN INCHES AND FOR DATUMS RECOMMEND ONLY.)	DRAWN G.R.S.	03/08/05	BNC BULKHEAD JACK (ISOLATED) (FOR RG-179 CABLE - 75ohm)
2	INSULATOR	TEFLON	1	UNLESS OTHERWISE SPECIFIED DIMENSIONS ARE IN MILLIMETERS (PARENTS IN [] ARE IN INCHES AND FOR DATUMS RECOMMEND ONLY.)			
3	CONTACT PIN	PHOS. BRONZE	1	UNLESS OTHERWISE SPECIFIED DIMENSIONS ARE IN MILLIMETERS (PARENTS IN [] ARE IN INCHES AND FOR DATUMS RECOMMEND ONLY.)	CHECKED		
4	LOCK WASHER	BRASS	1	UNLESS OTHERWISE SPECIFIED DIMENSIONS ARE IN MILLIMETERS (PARENTS IN [] ARE IN INCHES AND FOR DATUMS RECOMMEND ONLY.)	ASSEMBLED		
5	HEX NUT	BRASS	1	UNLESS OTHERWISE SPECIFIED DIMENSIONS ARE IN MILLIMETERS (PARENTS IN [] ARE IN INCHES AND FOR DATUMS RECOMMEND ONLY.)			
6	FERRULE	COPPER	1	UNLESS OTHERWISE SPECIFIED DIMENSIONS ARE IN MILLIMETERS (PARENTS IN [] ARE IN INCHES AND FOR DATUMS RECOMMEND ONLY.)			
7							
8							

Amphenol Connex

QAD FILE	DATE
C:/112/112253.DWG	03/08/05

QAD FILE	DATE	DWG NO.	REV.	SIZE	SCALE
C:/112/112253.DWG	03/08/05	112253.DWG	A	A	NA