

FBCEX PA M12 FMA 10M

Weidmüller Interface GmbH & Co. KG
 Klingenbergstraße 16
 D-32758 Detmold
 Germany
 Fon: +49 5231 14-0
 Fax: +49 5231 14-292083
 www.weidmueller.com



The most reliable way of achieving connections between two I/O slaves or between the control and one I/O subscriber is by way of pre-assembled cables. The line of cables covers PROFIBUS, CANopen, DeviceNet™, EtherCAT and Ethernet.

General ordering data

Type	FBCEX PA M12 FMA 10M
Order No.	1076521000
Version	Bus line, One end without connector, M12, No. of poles: 2, 10 m, bush, 90°, shielded: Yes, LED: No, Sheath material: PVC, Halogen: Yes
GTIN (EAN)	4032248834075
Qty.	1 pc(s).

FBCEX PA M12 FMA 10M

Weidmüller Interface GmbH & Co. KG
 Klingenbergstraße 16
 D-32758 Detmold
 Germany
 Fon: +49 5231 14-0
 Fax: +49 5231 14-292083
 www.weidmueller.com

Technische Daten

Dimensions and weights

Net weight 893 g

Technical specifications for cable

No. of poles shielded	2 Yes	Core cross-section	1 mm ²
Colour coding	Red, Green	Insulation	PE
Sheathing colour	blue (RAL 5015)	Sheath material	PVC
Cable length	10 m	Outer diameter	8.0 ± 0.4 mm
Temperature range, moving, max.	60 °C	Temperature range, moving, min.	-5 °C
Temperature range, stationary, max.	80 °C	Temperature range, stationary, min.	-30 °C
Suitable for cable carriers	No	Halogen	Yes
Bending radius, min., stationary	8 x Kabeldurchmesser	Torsion resistance	0 °/m
Resistant to welding beads	No	Bending radius, min., moving	8 x Kabeldurchmesser

General technical data

Version	bush, 90°	Contact tube diameter	M12
Housing main material	PUR	Threaded ring material	Brass, nickel-plated
Coding	A	Protection degree	IP 67
Contact surface	Gold-plated	LED	No
Rated voltage	100 V	Insulation resistance	10 ⁸ Ω
Temperature range of housing	-25...+80 °C	Tightening torque	M12: 0.8 - 1.2 Nm
Plugging cycles	≥ 100	Pollution severity	3
jumpered	No		

Classifications

ETIM 3.0	EC001408	eClass 6.2	27-06-03-07
eClass 7.1	27-06-03-07		

Approvals

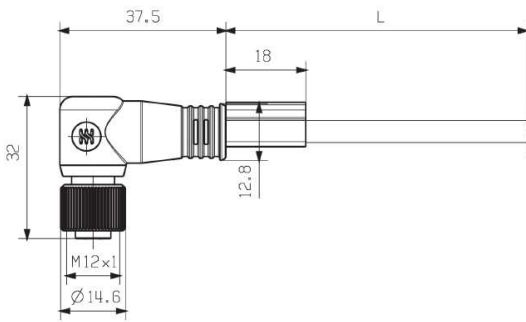
Approvals	
ROHS	Conform

FBCEX PA M12 FMA 10M

Weidmüller Interface GmbH & Co. KG
 Klingenbergstraße 16
 D-32758 Detmold
 Germany
 Fon: +49 5231 14-0
 Fax: +49 5231 14-292083
 www.weidmueller.com

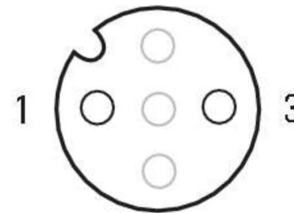
Zeichnungen

Dimensioned drawing



Socket

Pole scheme



Socket

Circuit diagram

The ideal tool, the Screwty® with torque function



Light, securely screwed-in round plug-in connectors. Screwty set DM / VPE: 1 / Order No.: 1920000000 Adapters: M12, M12 F, M8, M8 F