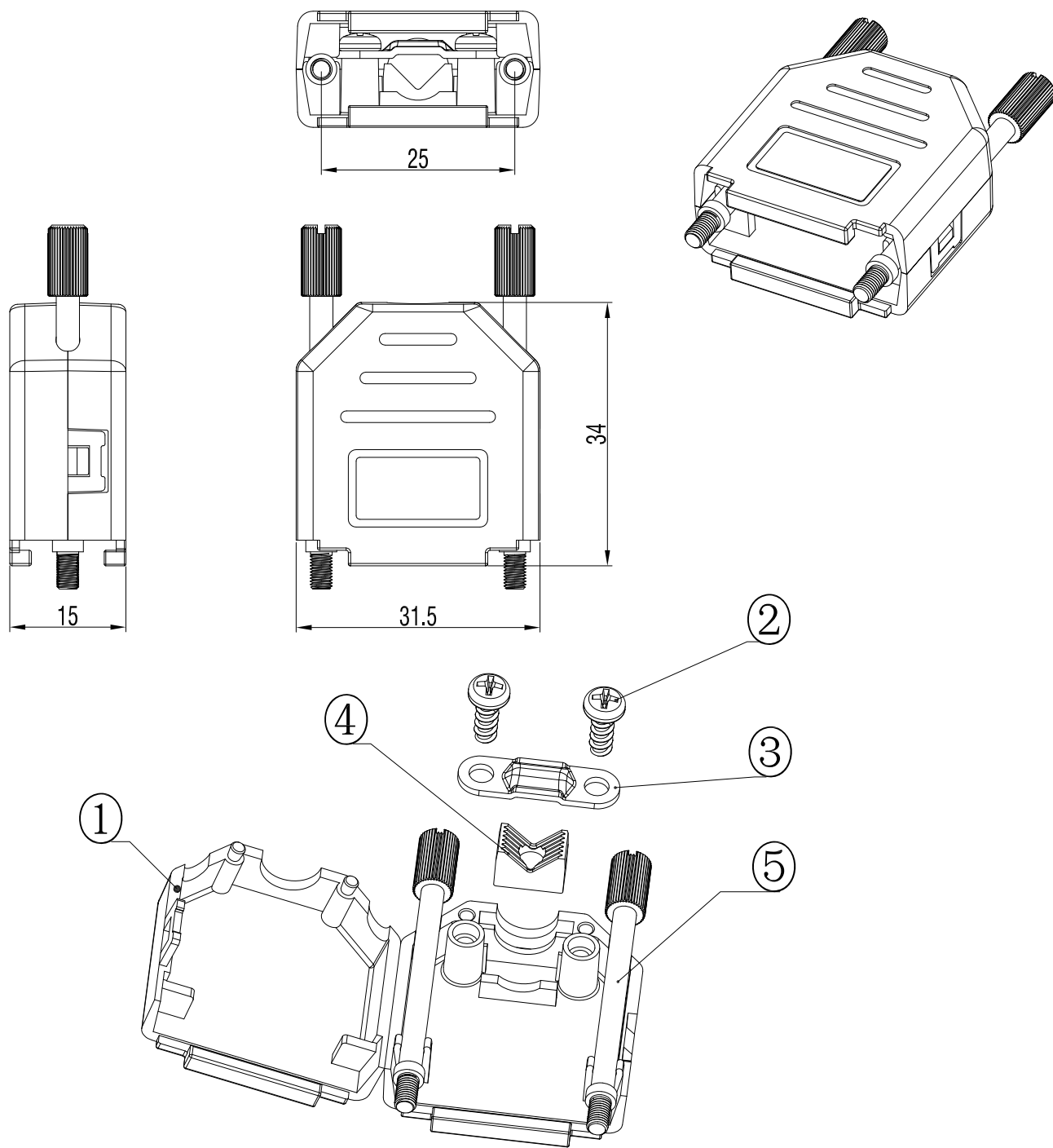


No.	Changes And/or Note No.	Date	Intr	No	Changes And/or Note No.	Date	Intr

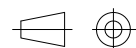


Part Number:	Description:	Pack:	1	1	Plastic Cover	Cover
			2	2	M3X8	Self Tapping Screw
6260-0101-01	MHDPPK09-BK-K	KIT	3	1	Cable Clamp	Cable Clamp
			4	1	Plastic Insert	Plastic Insert
6261-0101-01	MHDPPK09-BK	BULK	5	2	UNC 4-40X47	Jack screw
			6			
DATE:	DRAWN:	SCALE:	Item	QTY	Part Number	Description
2009-07-12	YHY					
AUDITING:	APPROVED:		REPLACES:			
	MRR					

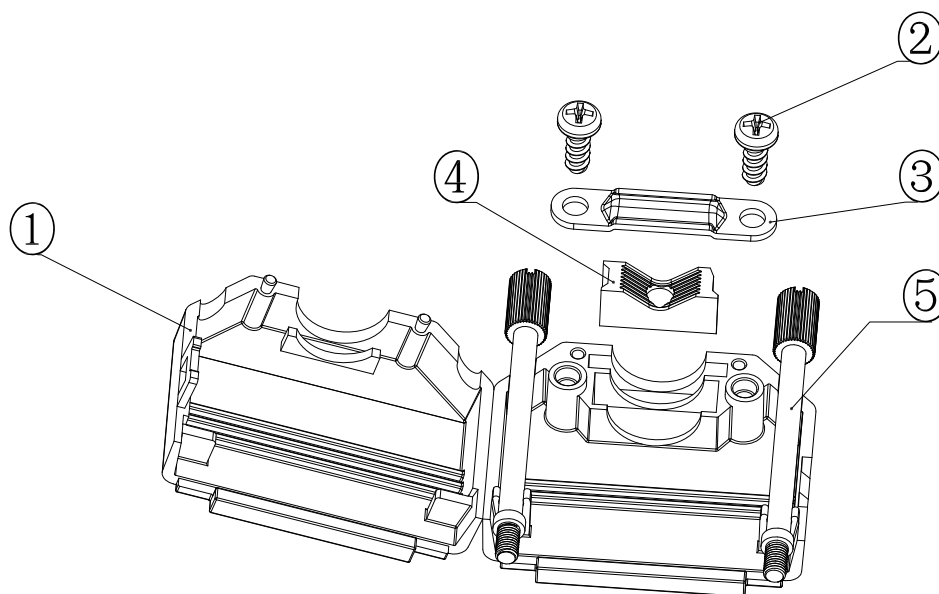
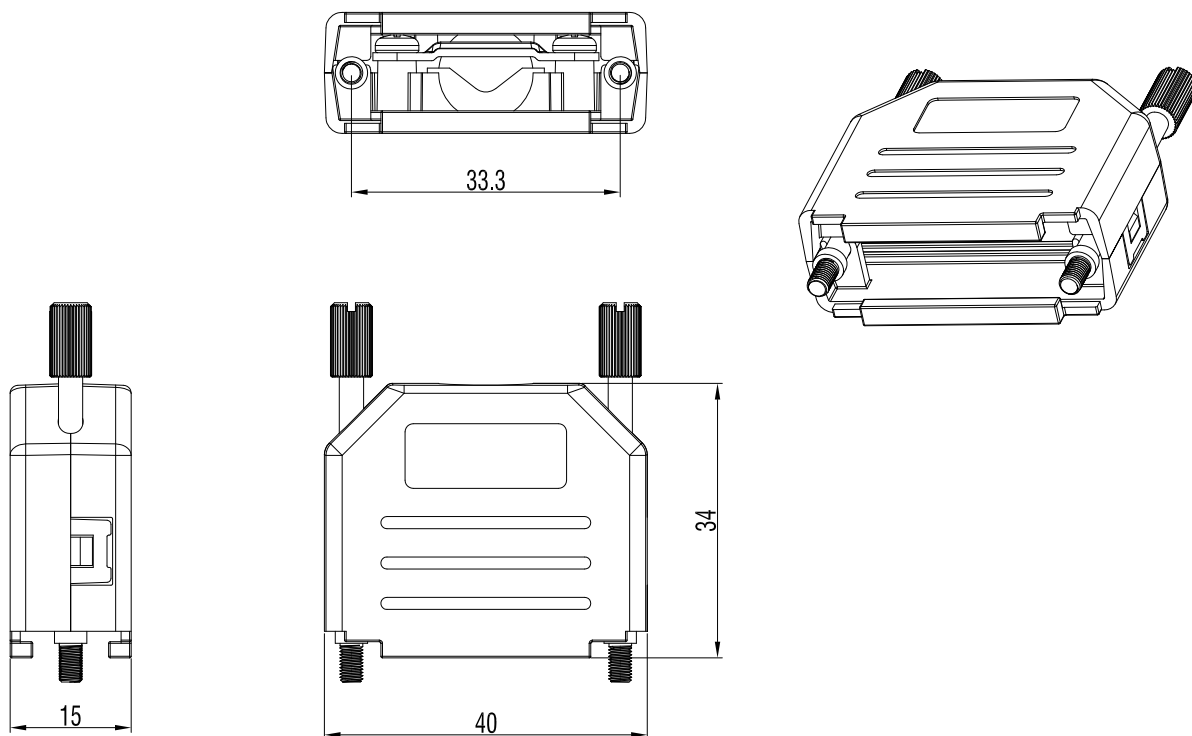


MHDPPK-SLIM-SERIES

DRAWING No: 09-0713-2009



No.	Changes And/or Note No.	Date	Intr	No	Changes And/or Note No.	Date	Intr



Part Number:	Description:	Pack:	1	2	3	4	5	6
6260-0101-02	MHDPPK15-BK-K	KIT	1	2	1	1	2	
6261-0101-02	MHDPPK15-BK	BULK						
			Item	QTY	Part Number	Description		
DATE: 2009-07-13	DRAWN: YHY	SCALE:	MATERIAL TYPE:					
AUDITING:	APPROVED: MRR		REPLACES:					



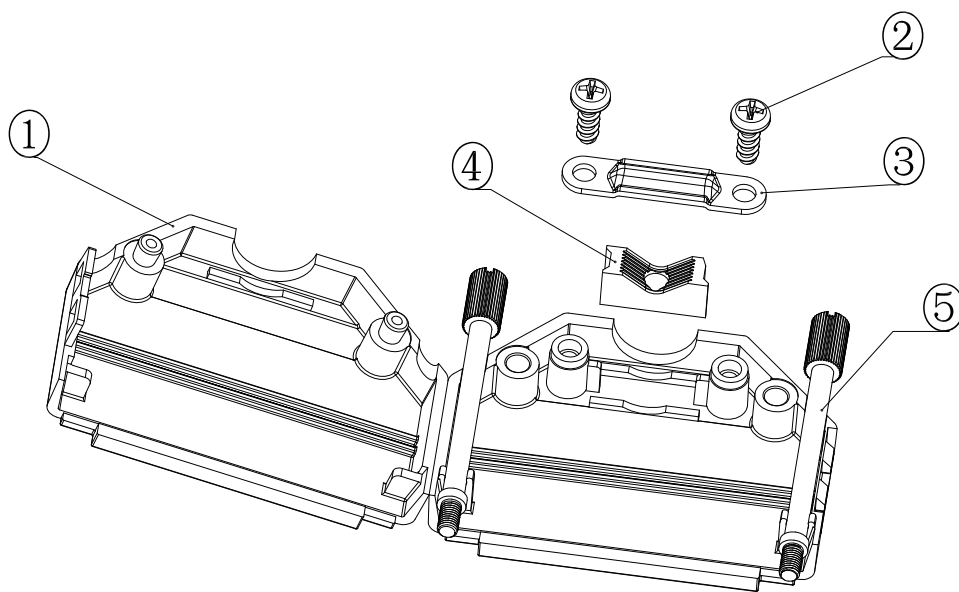
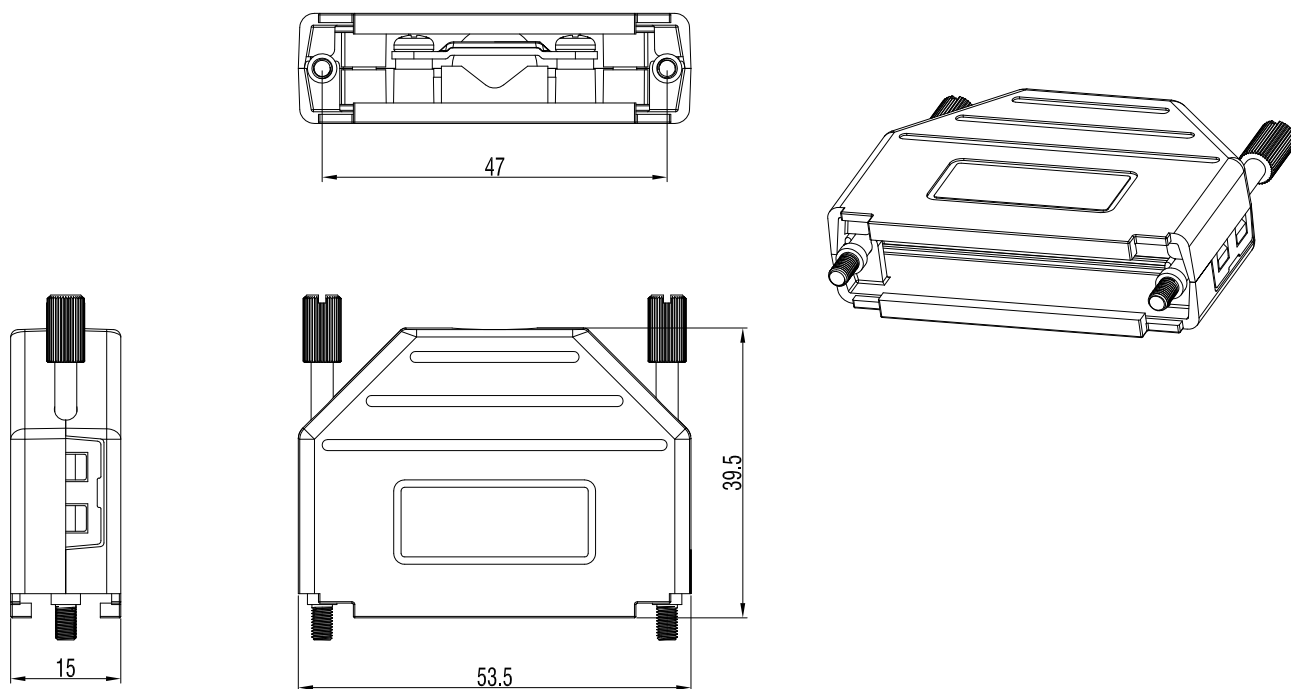
MHDPPK-SLIM-SERIES

DRAWING No:

15-0714-2009



No.	Changes And/or Note No.	Date	Intr	No	Changes And/or Note No.	Date	Intr

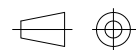


Part Number:	Description:	Pack:	1	1	Plastic Cover	Cover
			2	2	M3X8	Self Tapping Screw
6260-0101-03	MHDPPK25-BK-K	KIT	3	1	Cable Clamp	Cable Clamp
			4	1	Plastic Insert	Plastic Insert
6261-0101-03	MHDPPK25-BK	BULK	5	2	UNC 4-40X47	Jack screw
			6			
			Item	QTY	Part Number	Description
DATE: 2009-07-15	DRAWN: YHY	SCALE:	MATERIAL TYPE:			
AUDITING:	APPROVED: MRR		REPLACES:			

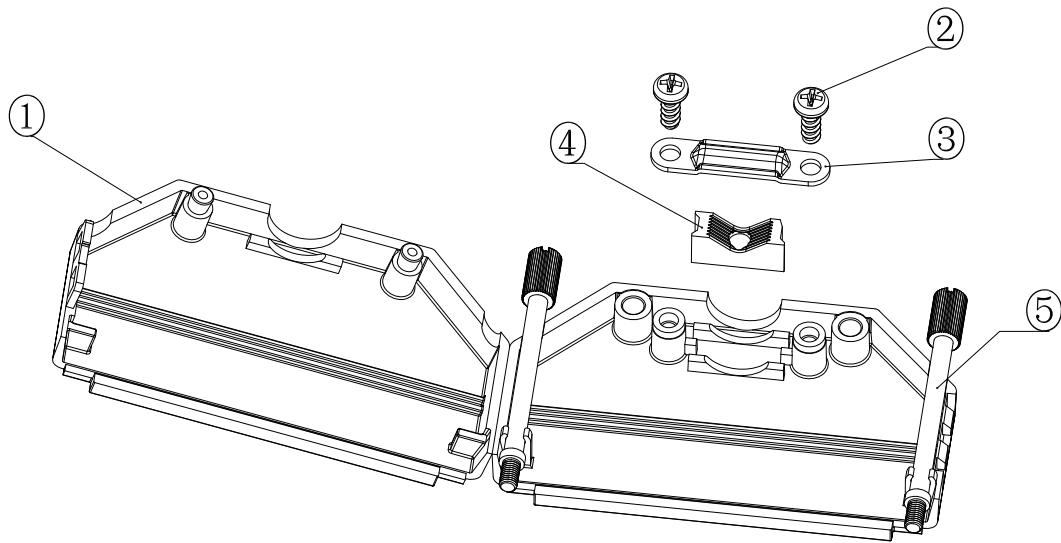
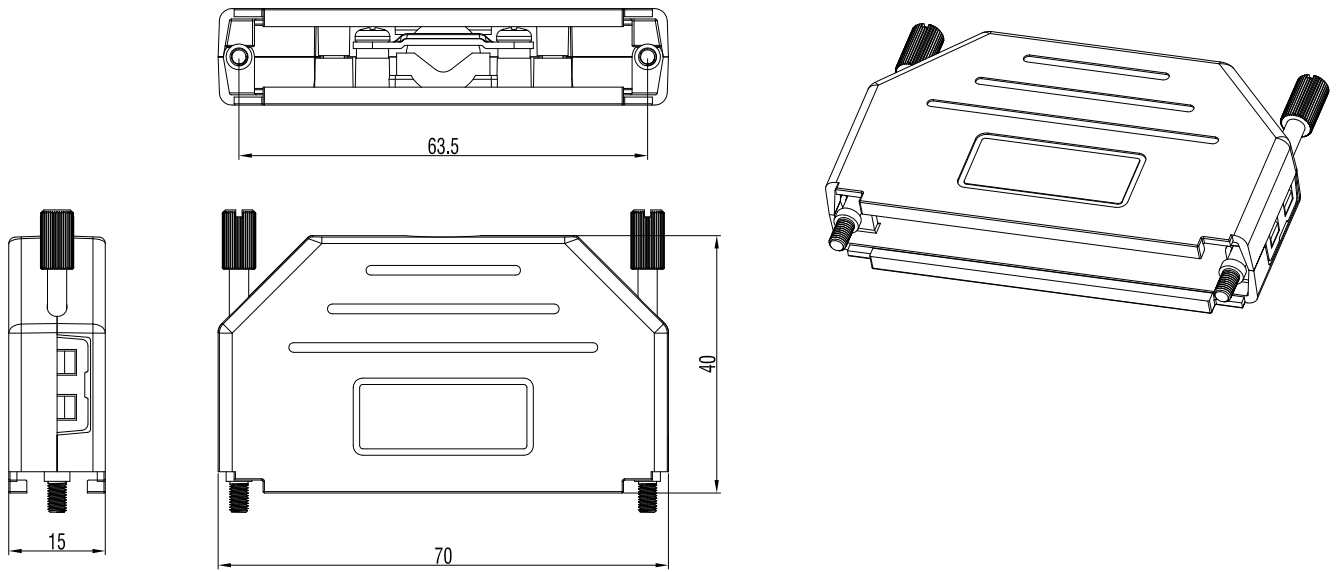


MHDPPK-SLIM-SERIES

DRAWING No: 25-0715-2009



No.	Changes And/or Note No.	Date	Intr	No	Changes And/or Note No.	Date	Intr



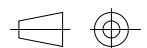
Part Number:	Description:	Pack:	1	1	Plastic Cover	Cover
			2	2	M3X8	Self Tapping Screw
6260-0101-04	MHDPPK37-BK-K	KIT	3	1	Cable Clamp	Cable Clamp
			4	1	Plastic Insert	Plastic Insert
6261-0101-04	MHDPPK37-BK	BULK	5	2	UNC 4-40X47	Jack screw
			6			
			Item	QTY	Part Number	Description
DATE: 2009-07-15	DRAWN: YHY	SCALE:	MATERIAL TYPE:			
AUDITING:	APPROVED: MRR		REPLACES:			



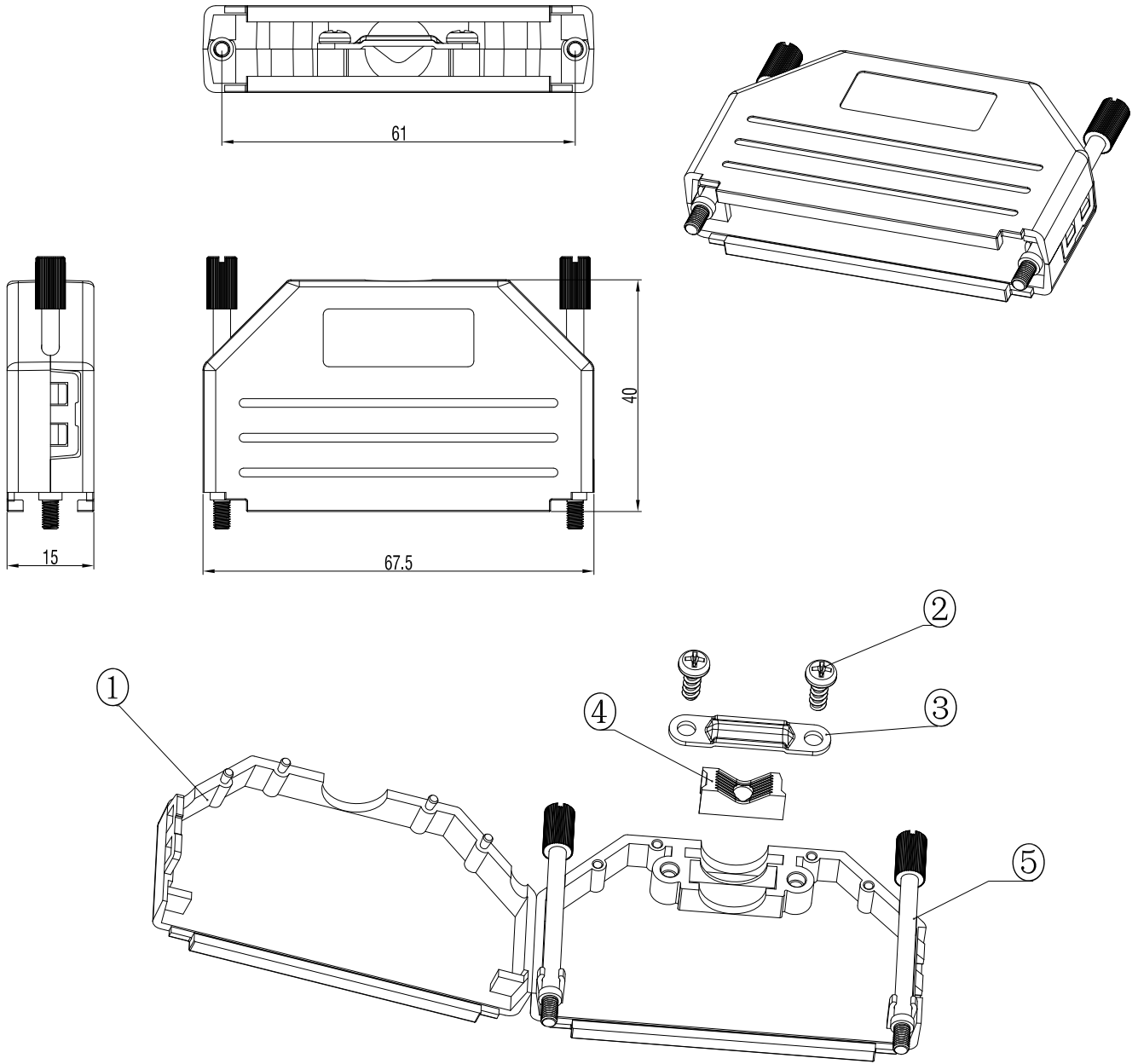
MHDPPK-SLIM-SERIES

DRAWING No:

37-0715-2009



No.	Changes And/or Note No.	Date	Intr	No	Changes And/or Note No.	Date	Intr



Part Number:	Description:	Pack:	1	1	Plastic Cover	Cover
			2	2	M3X8	Self Tapping Screw
6260-0101-05	MHDPPK50-BK-K	KIT	3	1	Cable Clamp	Cable Clamp
			4	1	Plastic Insert	Plastic Insert
6261-0101-05	MHDPPK50-BK	BULK	5	2	UNC 4-40X47	Jack Screw
			6			
DATE:	DRAWN:	SCALE:	MATERIAL TYPE:			
2009-07-15	YHY					
AUDITING:	APPROVED:		REPLACES:			
	MRR					



MHDPPK-SLIM-SERIES

DRAWING No:	50-0715-2009
-------------	--------------

