

10 9 8 7 6 5 4 3 2 1

**NOTES:**

**1- MATERIAL:**

HOUSING: LCP GLASS FILLED UL 94V0 COLOUR: BLACK  
 TERMINAL: BRASS PLATED WITH:  
 0.00127/.000050 MIN GOLD IN CONTACT AREA,  
 0.00190/.000075 MIN PURE TIN IN TAIL AREA,  
 BOTH OVER 0.00127/.000050 MIN NICKEL OVERALL.  
 SOLDER TABS: BRASS PLATED WITH 0.0020/.000078 MIN TIN.

2- JACK FOR MATING WITH F.C.C.68 PLUGS.  
 (MOLEX 90075 SERIES).

3- PRODUCT SPECIFICATION: MOLEX PS-85502-001

4- POLYIMIDE ADHESIVE TAPE FOR PICK & PLACE SURFACE.  
 THICKNESS: 125 μm/4921 μ''

5- PACKAGING SPECIFICATION: MOLEX PK-85502.  
 (BLISTER PACKAGING).

6- COPLANARITY OF SIGNAL LEADS: 0.10/.004

7- SEE DIMENSIONS IN CHART ON SHEET 2.

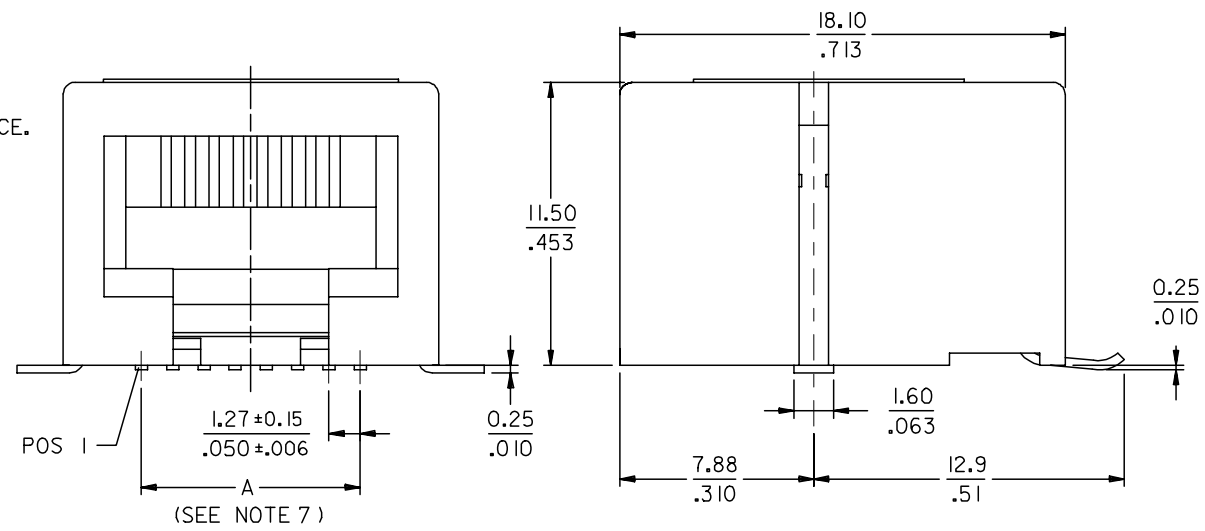
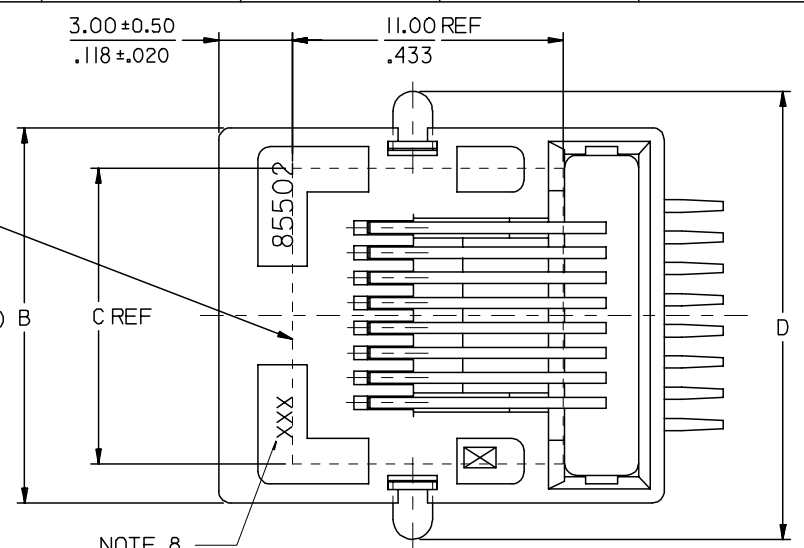
8- MANUFACTURING I.D. CAN BE EITHER MG, MXF OR MXI.

9- APPLICATION SPECIFICATION: AS-85513-001

SEE NOTE 4

(SEE NOTE 7) B

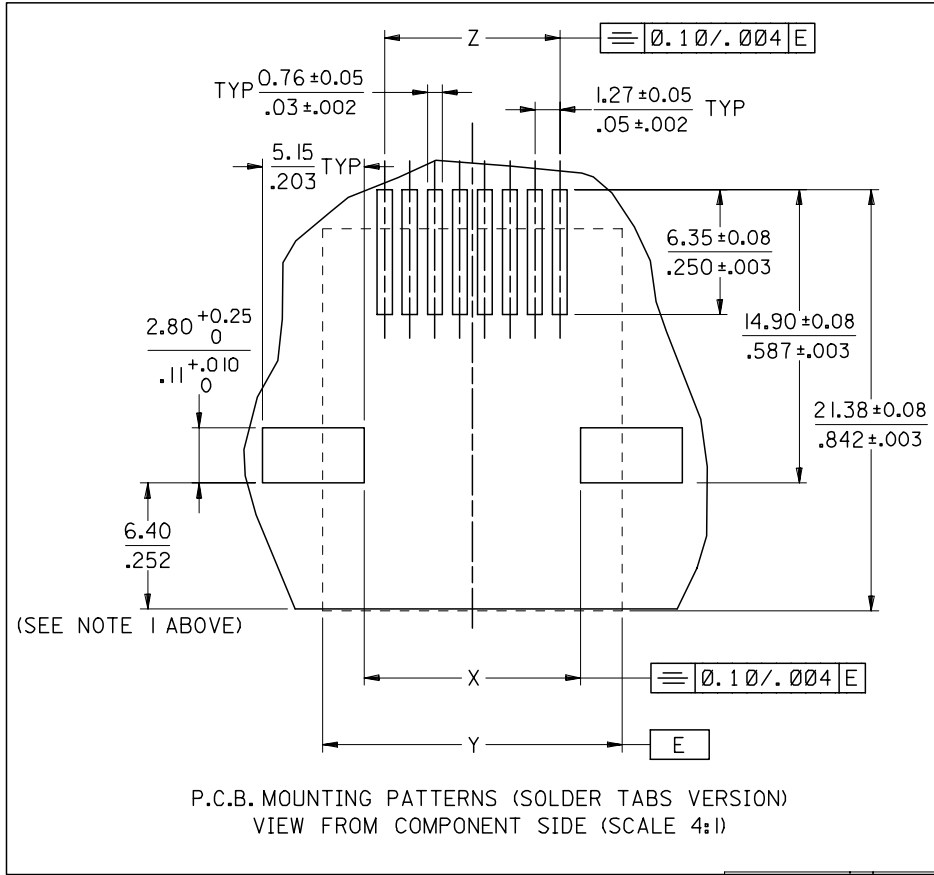
NOTE 8.



MODIFIED MATERIAL EC NO: E2007-0717 DRWN:DBYRNES 2007/02/15 CHKD: 2007/02/15 APPR:EOMAHONY 2007/02/15	QUALITY SYMBOLS	GENERAL TOLERANCES (UNLESS SPECIFIED)		DIMENSION STYLE	SCALE	DESIGN UNITS	THIRD ANGLE PROJECTION
	▽=0 ▽=0	mm	INCH	MM/IN	5:1	METRIC	
		4 PLACES ± ---	± ---	DRAWN BY DATE	TITLE R/A LOW PROFILE TRUE SMT 4,6 & 8 CONTACTS PC JACK WITH SIDE SOLDER TABS		
		3 PLACES ± ---	± .010	DB 2006/06/12			
	2 PLACES ± 0.25	± .014	CHECKED BY DATE	MOLEX INCORPORATED			
	1 PLACE ± 0.35	± ---	EOMAHONY 2006/06/15				
		ANGULAR ± 2 °	APPROVED BY DATE	MATERIAL NO. DOCUMENT NO. SHEET NO. SEE CHART SHT 2 SD-85502-101 1 OF 2			
			EOMAHONY 2006/06/15				
		DRAFT WHERE APPLICABLE MUST REMAIN WITHIN DIMENSIONS		THIS DRAWING CONTAINS INFORMATION THAT IS PROPRIETARY TO MOLEX INCORPORATED AND SHOULD NOT BE USED WITHOUT WRITTEN PERMISSION			

9 8 7 6 5 4 3 2 1

NOTE 1: RECOMMENDED DISTANCE FROM THE PCB'S EDGE



PART NUMBERS FOR TRUE SMT JACK WITH SOLDER TABS								
HOUSING COLOR	POS 4	TOOLED	POS 6	TOOLED	POS 6	TOOLED	POS 8	TOOLED
	4 CKTS		4 CKTS		6 CKTS		8 CKTS	
STANDARD VERSION	BLACK	85502-5005	85502-5006	85502-5007	85502-5008			

TYPE \ DIM	POS 4	POS 6		POS 8
	4 CKTS	4 CKTS	6 CKTS	8 CKTS
A ±0.15 / .006	3.81 / .150	3.81 / .150	6.35 / .250	8.89 / .350
B	11.18 / .440	13.21 / .520	13.21 / .520	15.24 / .600
C (REF)	8.50 / .335	8.50 / .335	8.50 / .335	12.00 / .472
D ±0.35 / .014	14.13 / .556	16.16 / .636	16.16 / .636	18.19 / .716
X ±0.10 / .004	6.94 / .273	8.97 / .353	8.97 / .353	11.00 / .433
Y (REF)	11.18 / .440	13.21 / .520	13.21 / .520	15.24 / .600
Z ±0.05 / .002	3.81 / .150	3.81 / .150	6.35 / .250	8.89 / .350

P.C.B. MOUNTING PATTERNS (SOLDER TABS VERSION)  
VIEW FROM COMPONENT SIDE (SCALE 4:1)

SEE SHEET 1  
EC NO: E2007-0717  
DRWN: DBYRNES  
CHKD:  
APPR: EOMAHONY

QUALITY SYMBOLS  
▽=0  
∇=0

GENERAL TOLERANCES (UNLESS SPECIFIED)

	mm	INCH
4 PLACES	± ---	± ---
3 PLACES	± ---	± .010
2 PLACES	± 0.25	± .014
1 PLACE	± 0.35	± ---

ANGULAR ± 2 °

DRAFT WHERE APPLICABLE MUST REMAIN WITHIN DIMENSIONS

DIMENSION STYLE  
MM/IN

DRAWN BY  
DB

CHECKED BY  
EOMAHONY

APPROVED BY  
EOMAHONY

MATERIAL NO.

DATE  
2006/06/12  
2006/06/15  
2006/06/15

SEE CHART

SCALE  
5:1

DESIGN UNITS  
METRIC

THIRD ANGLE PROJECTION

TITLE  
R/A LOW PROFILE TRUE SMT  
4,6 & 8 CONTACTS PC JACK  
WITH SIDE SOLDER TABS

MOLEX INCORPORATED

DOCUMENT NO.  
SD-85502-101

SHEET NO.  
2 OF 2

THIS DRAWING CONTAINS INFORMATION THAT IS PROPRIETARY TO MOLEX INCORPORATED AND SHOULD NOT BE USED WITHOUT WRITTEN PERMISSION