

ELFA artikelnr.

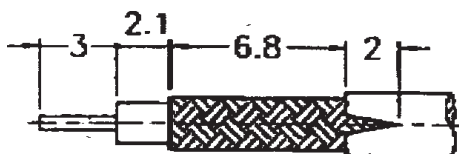
46-635-06 FME hylspropp RG174 crimp



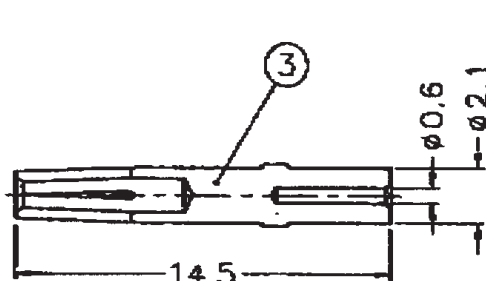
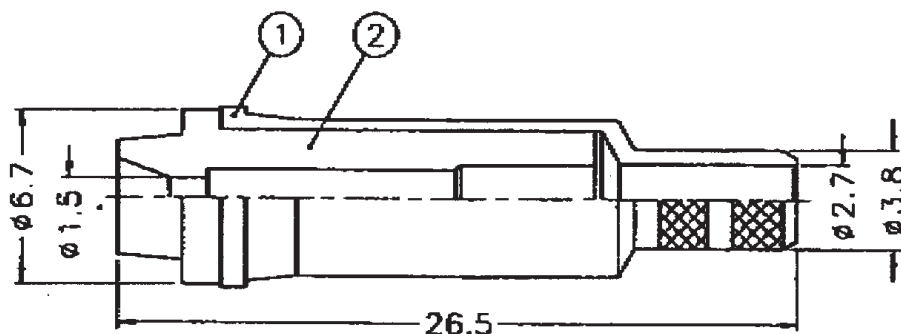
KAI JACK INDUSTRIAL CO., LTD.

TAINAN TAIWAN R.O.C.

FME ROTATING NIPPLE  
(FOR RG-174/U, 188A/U, 316/U)

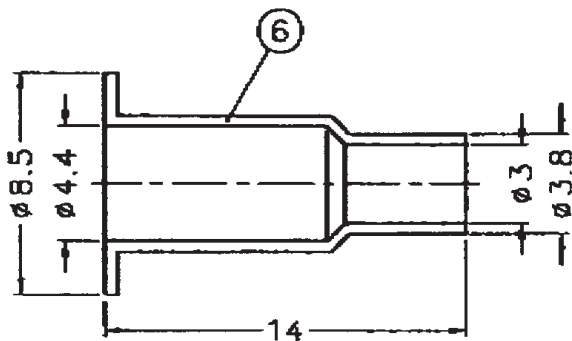
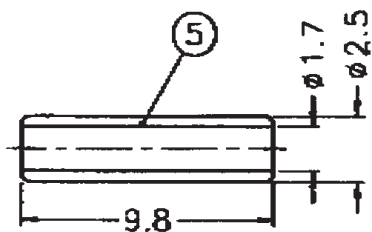
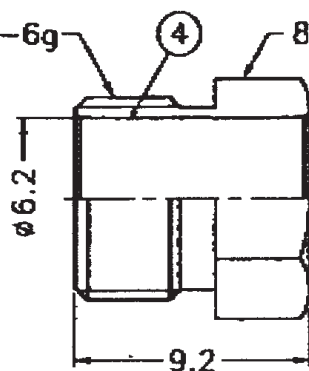


RECOMMENDED  
CABLE STRIPPING DIM'S



M8XPO.75-6g

8 HEX



NOTES: FINISH (PLATING THICKNESS IN MICRO-INCHES)

1. BRASS PER QQ-B-526, ALLOY 360, 1/2 H
2. NICKEL PL 100 MIN. OVER COPPER PL. 50 MIN.  
SILVER PL 80 MIN. OVER COPPER PL. 50 MIN.
3. PHOSPHOR BRONZE PER QQ-B-750, COMP A, 1/2 H
4. GOLD PL. MIN. OVER NICKEL PL. 50 MIN.  
OVER COPPER PL. 50 MIN.  
SILVER PL 100 MIN. OVER NICKEL PL. 50 MIN.  
OVER COPPER PL. 50 MIN.