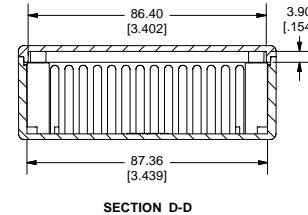
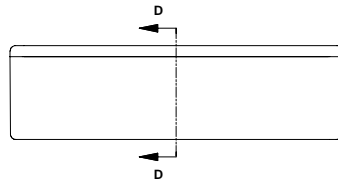
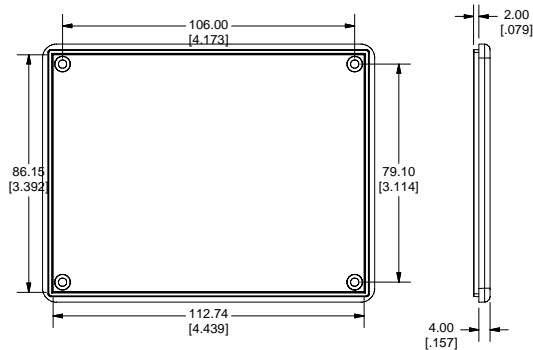


Note:
 Enclosures can be Factory Modified (Milling, Drilling, Printing etc.)
 Contact Factory mjm@hammondmfg.com for quotes
 Solid models of this enclosure available in STEP or IGES Format.

| PART NUMBERS | | |
|--|---|-----------------------------------|
| 1591G Enclosures | | |
| Material | Colour | Part Number |
| FR ABS UL94 - V0 | Beige | 1591GBG |
| | Black | 1591GBK |
| | Blue | 1591GBU |
| | Grey | 1591GGY |
| GP ABS | Black | 1591GSBK |
| | Grey | 1591GSFY |
| Accessories | | |
| | Description | Part Number |
| Universal Use | PC Board Card Adapters | See Accessories Section |
| | Clear Lids - clear, flame retardant polycarbonate - Lid ONLY | 1591GC |
| FR ABS | Replacement Screws, Flat Head Phillips Nickel Plated Pkg of 100 | 1591MS100 1591MS100BK (Black) |
| GP ABS | Self Tapping Pkg of 100 | 1591TS100 1591TS100BK (Black) |
| Recommended Torque on Fasteners (no lubrication) | | |
| | M3 - 0.5 x 10mm Screws | 30-40 cN*m |
| | #4 x 0.5 Screws | 30-40 cN*m |



HAMMOND MANUFACTURING™
 1591G
www.hammondmfg.com