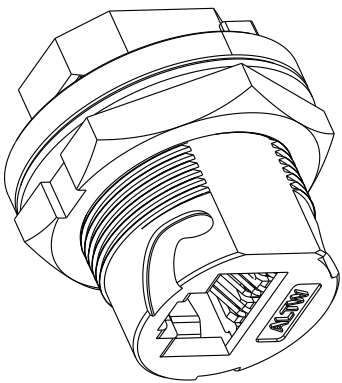
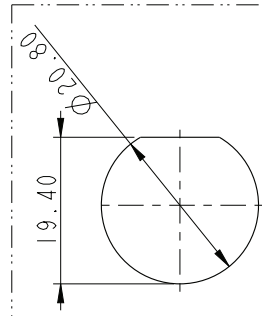
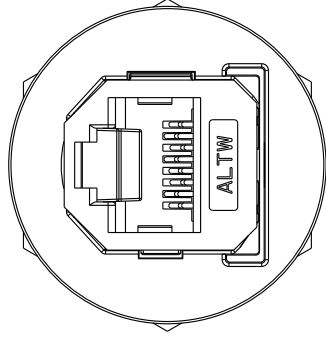
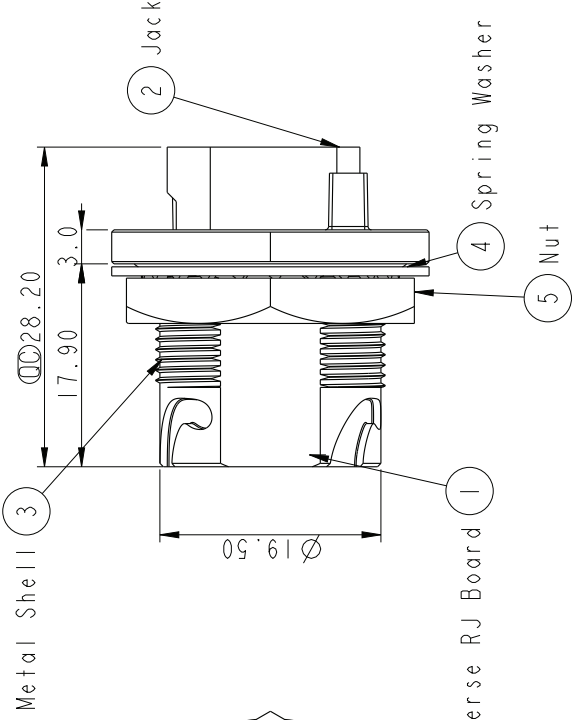
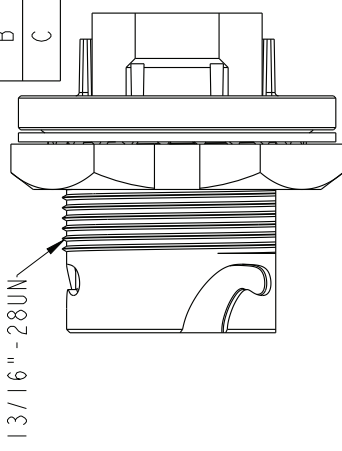
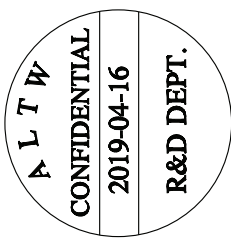


8	7	6	5	4	3	2	1
DESCRIPTION		SIGN	DATE	REV.	ECN NO.	REV.	REV.
Initial Release		Kris	2017/03/29	A			
Modify Note		Ruru	2019/03/14	B	C190405		
Modified parts		JC Chen	2019/04/16	C	C190541		



- Note:**
- * Important Dimension to check
 - * Waterproof Rate: IP67, Mated
 - * Insert Housing: Thermoplastic, Black
 - * Pin: Copper Alloy, Gold Plated
 - * Metal Shell & Jack & Nut: Metal, Nickel Plated
 - * O-Ring: Silicone Gray-Black.
 - * Spring Washer: Stainless steel.
 - * Use without waterproof cap or Dust cap for panel thickness Max:4.2mm
 - * Use with waterproof cap or Dust cap for panel thickness Max:3.0mm
 - * Screw Torque :9~12kgf-cm
 - * Gasket and Nut are packed separately in PE bags.

UNIT : mm		TITLE		ITEM NO		DRAWN BY		DATE	
TOLERANCE		RJ45 Cat.6A Receptacle		RCM-6APFFH-TCM7001		JC Chen		2019-04-16	
X	±0.25	SCALE	3:2	SIZE	A4	SHEET	1	OF	1
XX	±0.1	REV.	C	MC-REV.	A.17	QC	Inspection	item	
XXX	±0.05								
ANGLES	±1°								
				CUSTOMER		APPROVED BY		DATE	
				ALTW		Jerry		2019-04-16	
				RCM-6APFFH-TCM7001		CHECKED BY		DATE	
				ALTW		Li Feng		2019-04-16	
				RCM-6APFFH-TCM7001		DRAWN BY		DATE	
				ALTW		JC Chen		2019-04-16	
				RCM-6APFFH-TCM7001		DATE		8	
				ALTW		DATE		W10814-03-0001A2	

Amphenol LTW
安費諾亮泰企業股份有限公司