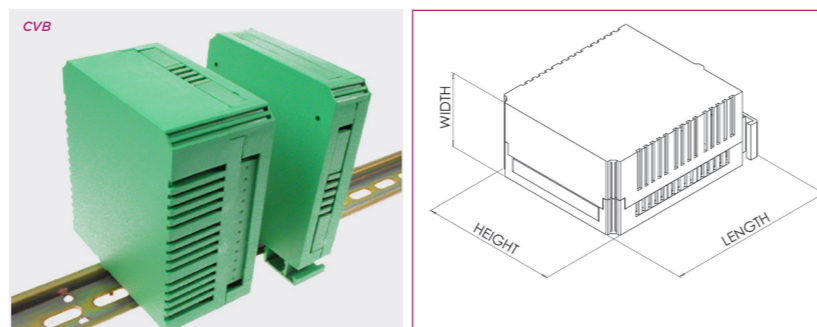


Vertical DIN Rail enclosures: CVB

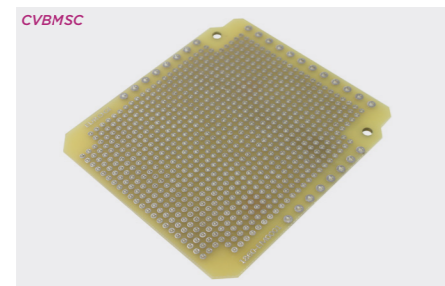
Product overview

- Designed for 5mm pitch terminal blocks
- Two sizes, 22.5mm or 45mm wide
- Solid and perforated plates to cover unused terminal areas
- Three sides accept 12-way terminal blocks each side
- Complete box contains one 12-way closed, three 4-way closed and three 4-way perforated plates

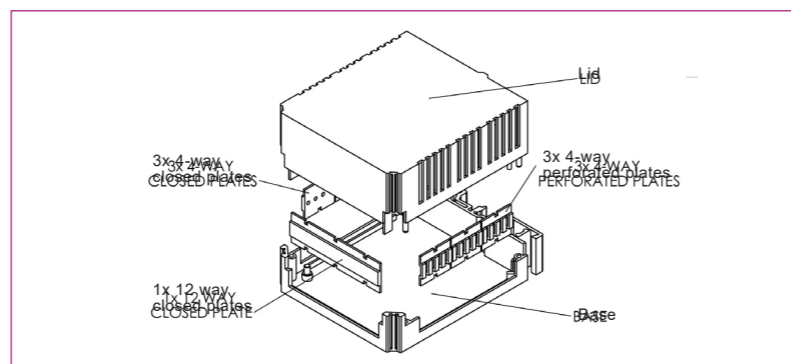
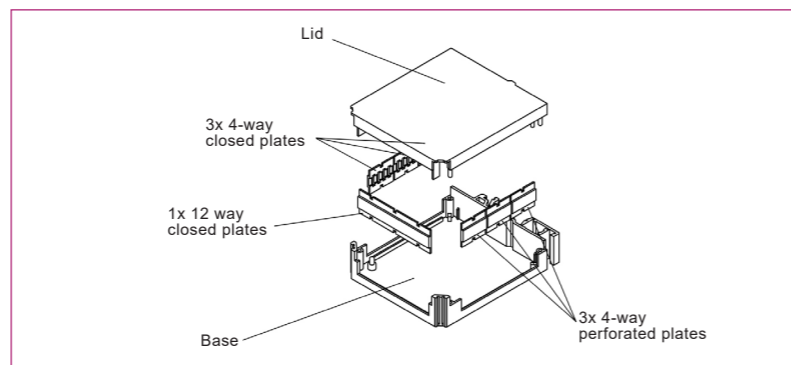


SPECIFICATION	
Rating terminals	8A/250VAC
Cable entry	2x2.5mm ² solid or standard
Terminal protection	IP20
Material	PA66 UL94-V0

PART NO.	DESCRIPTION	SIZE
CVB225/KIT	Complete plastic box	22.5x82x101.75mm
CVB450/KIT	Complete plastic box	45x82x101.75mm
CVBPF4	4 way perforated	CVB vent plate
CVBPP4	4 way closed plate	CVB blind plate
CVBPP12	12 way closed plate	CVB blind plate long



PART NO.	DESCRIPTION
CVBMSC	Prototyping board



KEY FEATURES

PA66 UL94-V0 | Designed for 5mm pitch terminal blocks

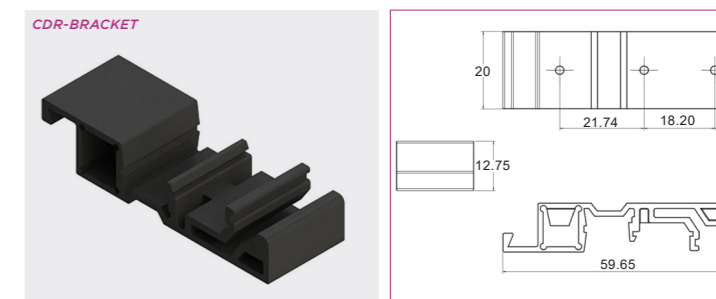


DIN Rail accessories

Din Rail mount bracket

DIN Rail mount bracket enables enclosures to be DIN Rail mounted.

- Screws included allow the DIN Rail mount bracket to be fastened to the enclosures surface
- Two clearance holes will need to be drilled into the enclosure
- The DIN Rail mount bracket is designed for standard top hat 35mm DIN Rail, mini top hat 15mm rail and G section 32mm rail
- For wide enclosures it is recommended to use 2x brackets



SPECIFICATION	
Material	UL94-V0, PA66
Operating temperature	-20°C to +85°C
Colour	Black RAL 9005
Standard unit includes	1x DIN Rail mount bracket, 2x screws

Din Rail adaptor

A one piece adaptor to adapt relay bases and enclosures to G-Rail and mini DIN Rails.

- Snap-fit DIN Rail mounting fixtures
- Moulded in flame retardant UL94-V0
- Symmetrical (35mm)
- Asymmetrical (G-rail)
- Mini symmetrical (15mm)

