

Transistor Mounting

Order code	Manufacturer code	Description
38-0200	T03 KIT	10 TO3 MOUNTING KITS (RC)
38-0205	n/a	n/a
38-0210	T0220 KIT	10 TO220 MOUNTING KITS (RC)
38-0212	T0220 KIT 2	PK 10 TO220 KITS TYPE 2 (RC)
38-0215	MI3055 KIT	10 MI3055 MOUNTING KITS (RC)

Transistor Mounting	Page 1 of 4
The enclosed information is believed to be correct, Information may change 'without notice' due to product improvement. Users should ensure that the product is suitable for their use. E. & O. E.	Revision A 04/07/2003

Semiconductors – Hardware

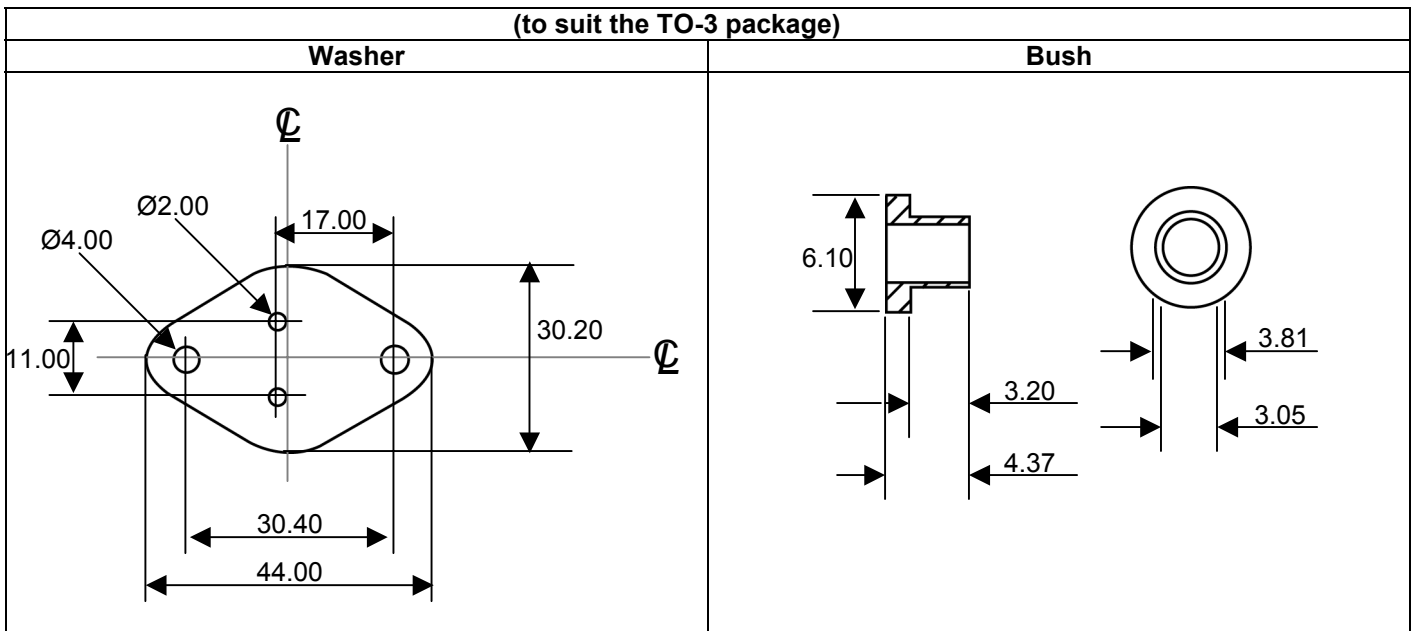
Mica semiconductor mounting kits

A range of mounting kits for semiconductors including 10 mica washers and the appropriate number of bushes

Specification

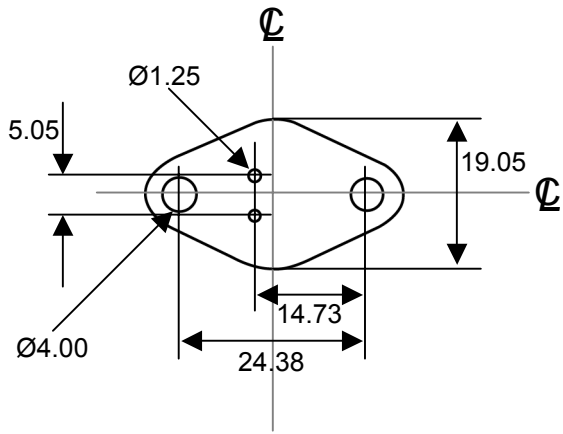
Parameter	Rating
Purity	N/A
Dielectric Strength	6kV
Insulation Resistance @ 500V DC	$10^{17} \Omega$
Thermal Conductivity @ 20°C (Cal/cm sec °C)	1.2×10^3
Thermal Resistive @ 20°C (°C/W) (Typical for Jedec TO3)	0.425
Dielectric Constant @ 20°C/1MHz	7.5
Dissipation Factor @ 1MHz	0.0025
Temperature Range	-70°C to +550°C
Maximum Loading Torque for 6BA Screw	0.5 NM

Dimensions

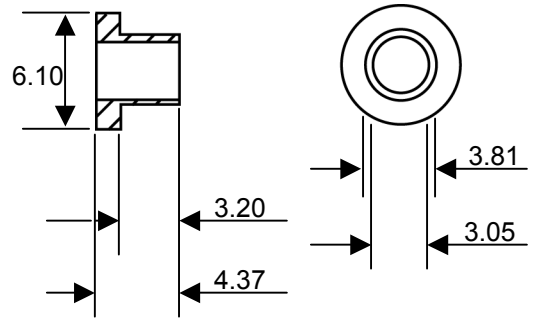


(to suit the TO-66 package)

Washer

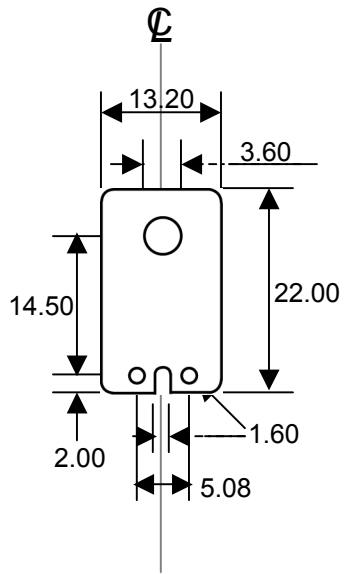


Bush

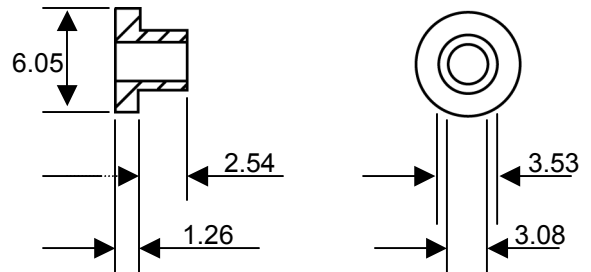


(to suit the TO-220 package)

Washer

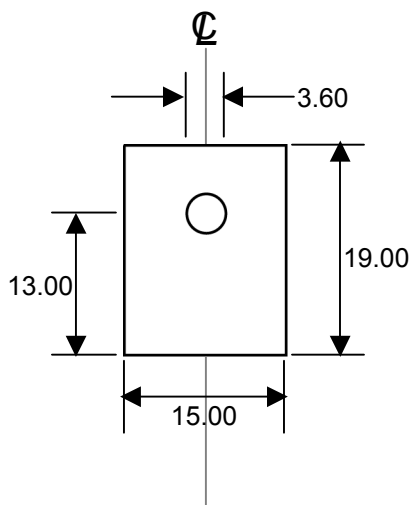


Bush

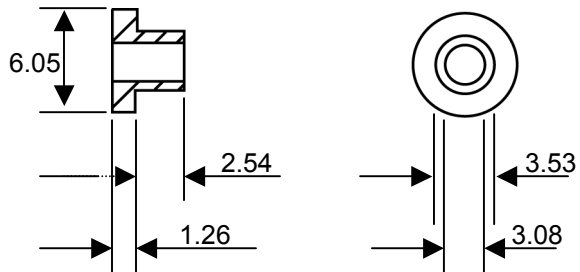


(to suit the TO-220 type 2 package)

Washer

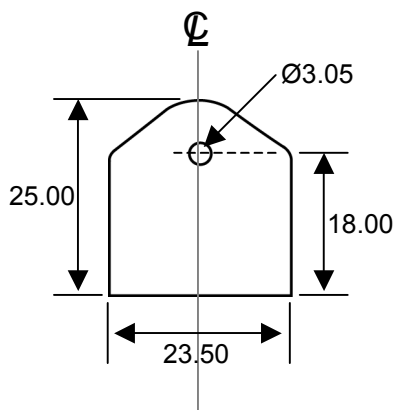


Bush



(to suit the TIP3055, etc.)

Washer



Bush

