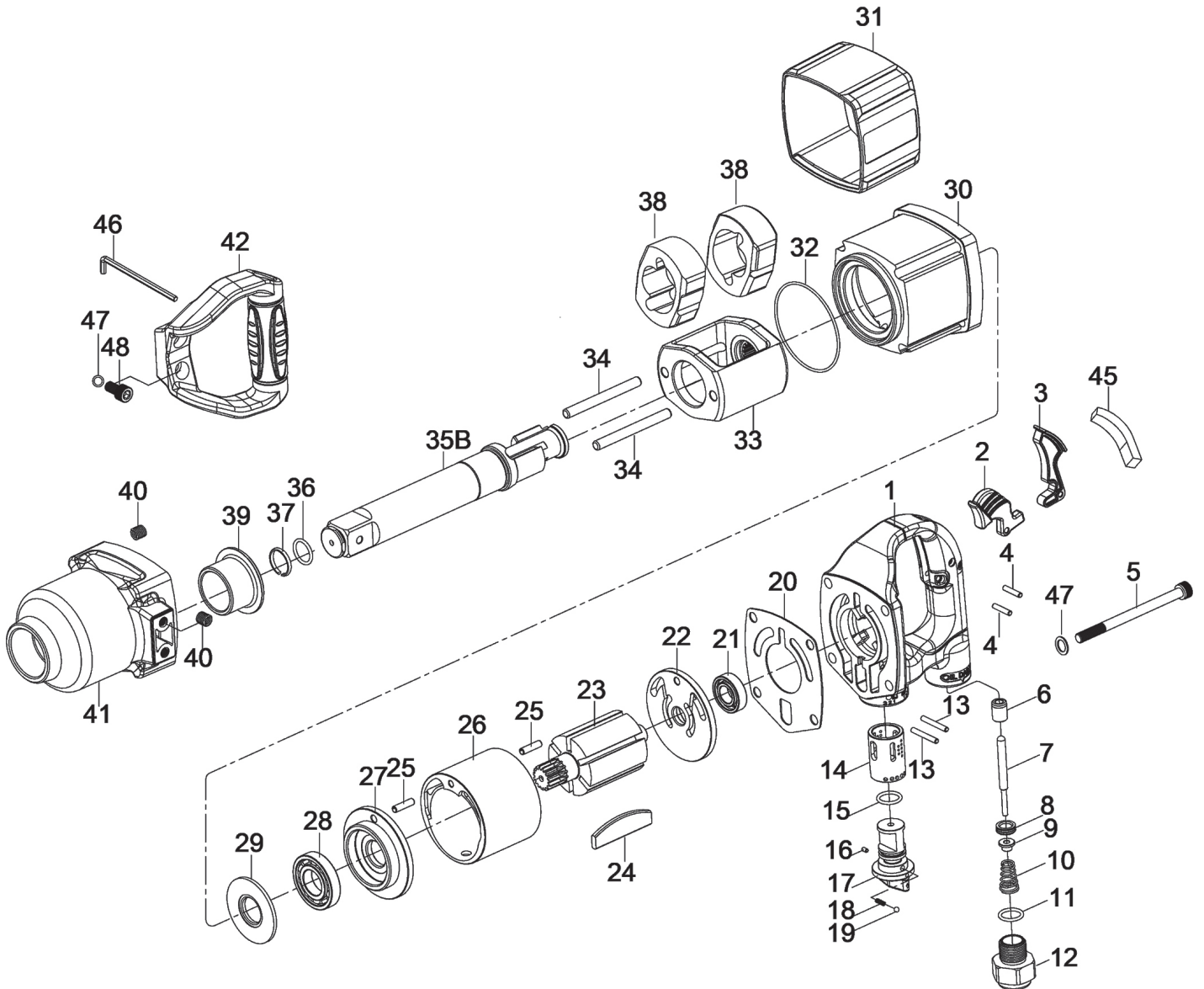




Parts Information:  
Air Impact Wrench 1" Sq Drive Twin  
Hammer - Compact  
Model No: SA686



**NOTE:** It is our policy to continually improve products and as such we reserve the right to alter data, specifications and component parts without prior notice.

**IMPORTANT:** No liability is accepted for incorrect use of product.

**WARRANTY:** Guarantee is 12 months from purchase date, proof of which will be required for any claim.

Sealey Group, Kempson Way, Suffolk Business Park, Bury St Edmunds, Suffolk. IP32 7AR



01284 757500



01284 703534



sales@sealey.co.uk



www.sealey.co.uk



Parts Information:  
**Air Impact Wrench 1" Sq Drive Twin  
Hammer - Compact  
Model No: SA686**

Item	Part No.	Description
1	SA686.01A	REAR HANDLE (c/w RUBBER GRIP)
2	SA686.02	TRIGGER
3	SA686.03	TRIGGER CAP
4	SA686.04	SPRING PIN
5	SCB8110.SB	SOCKET HEAD CAP SCREW M8x110 BLACK
6	SA686.06	BUSHING
7	SA686.07	VALVE STEM
8	SA686.08	VALVE STEM SEAT
9	SA686.09	VALVE
10	SA686.10	SPRING
11	SA686.11	O-RING
12	SA686.12	AIR INLET
13	SA686.13	SPRING PIN
14	SA686.14	REVERSE VALVE BUSHING
15	SA686.15	O-RING
16	SA686.16	SPRING PIN
17	SA686.17	REVERSE VALVE
18	SA686.19	SPRING
19	SB-4.0	STEEL BALL 4.0mm
20	SA686.20	REAR GASKET
21	B/6002	BEARING 6002
22	SA686.22	REAR END PLATE
23	SA686.23	ROTOR

Item	Part No.	Description
24	SA686.24	ROTOR BLADE
25	SA686.25	SPRING PIN
26	SA686.26	CYLINDER
27	SA686.27	FRONT END PLATE
28	B/EE8	BEARING EE8
29	SA686.29	METAL DISC
30	SA686.30	MOTOR HOUSING
31	SA686.31	RUBBER GRIP
32	SA686.32	O-RING
33	SA686.33	HAMMER CAGE
34	SA686.34	HAMMER PIN
35B	SA686.35	ANVIL 6"
36	SA686.36	O-RING
37	SA686.37	ANVIL COLLAR
38	SA686.38	HAMMER DOG
39	SA686.39	BUSHING
40	SA686.40	GRUB SCREW
41	SA686.41N	HAMMER CASE 'NEW TYPE' (inc 39 & 40)
42	SA686.42N	SUPPORT HANDLE (inc 47 & 48) 'NEW TYPE'
45	SA686.45	RUBBER CAP
46	SA686.46	HEX KEY WRENCH
47	SWM8.SB	SPRING WASHER M8 BLACK (SINGLE)
48	SCB820.SB	SOCKET HEAD CAP SCREW M8x20 BLACK

**NOTE:** It is our policy to continually improve products and as such we reserve the right to alter data, specifications and component parts without prior notice.

**IMPORTANT:** No liability is accepted for incorrect use of product.

**WARRANTY:** Guarantee is 12 months from purchase date, proof of which will be required for any claim.

**Sealey Group**, Kempson Way, Suffolk Business Park, Bury St Edmunds, Suffolk. IP32 7AR



01284 757500



01284 703534



sales@sealey.co.uk



www.sealey.co.uk