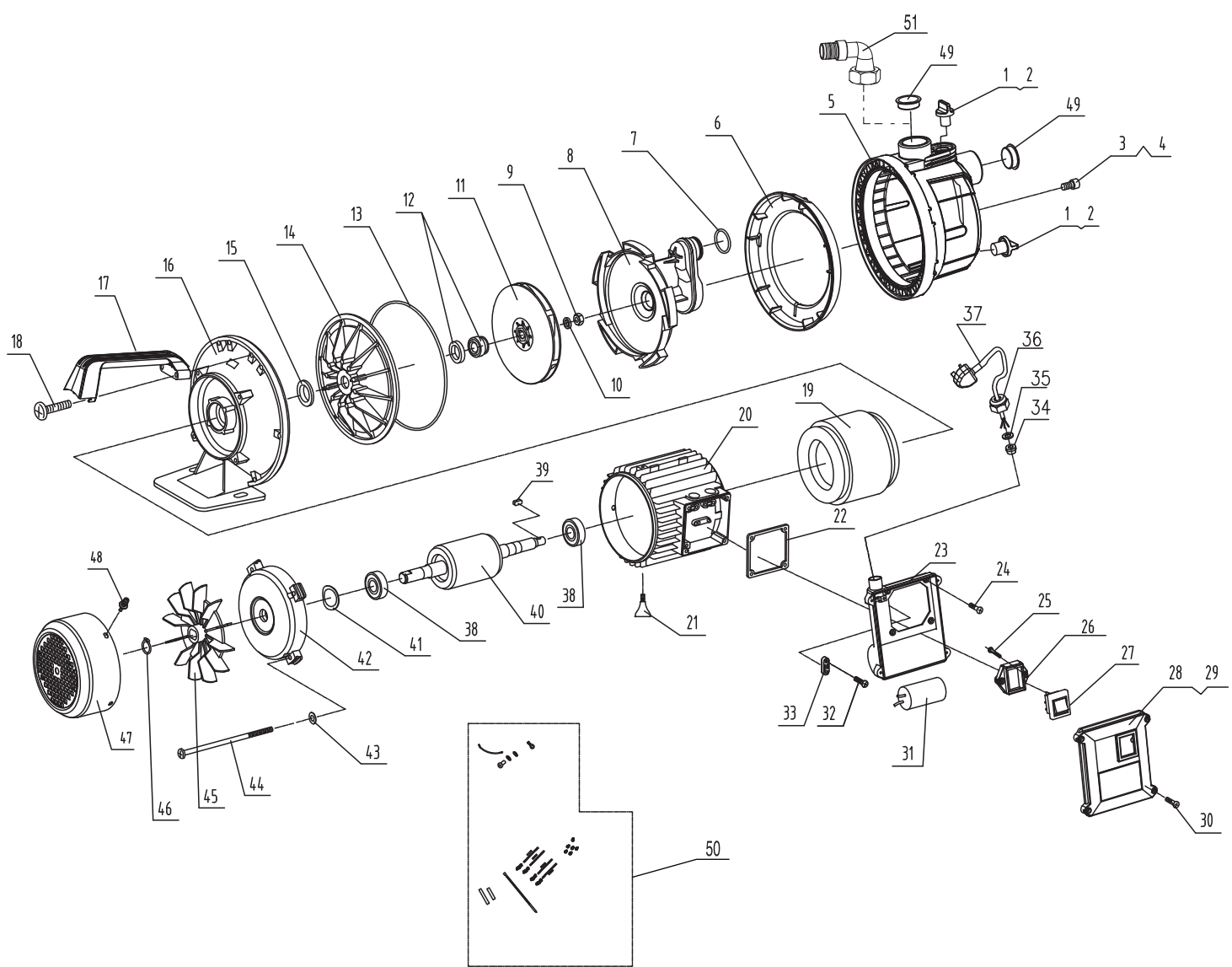


230V



# SURFACE MOUNTED WATER PUMP

10461 - SP77 SPARE PARTS DRAWING





230V

# SURFACE MOUNTED WATER PUMP

10461 - SP77 SPARE PARTS LISTING

KEY No.	PART No.	STOCK No.	DESCRIPTION
1	Y-SP53-03	90507	VALVE COVER
2	Y-SP53-08	90521	O RING
3	Y-SP77-03	90715	HEX SOCKET CAP SCREW
4	Y-SP77-04	90716	FLAT GASKET
5	Y-SP77-05	90717	PUMP HEAD
6	Y-SP77-06	90718	DAM BOARD
7	Y-SP77-07	90719	O RING
8	Y-SP77-08	90720	GUIDE PLATE
9	Y-SP53-11	90530	NUT
10	Y-SP53-12	90531	FLAT GASKET
11	Y-SP77-11	90723	IMPELLER
12	Y-SP90MS-18	90672	MECHANICAL SEAL
13	Y-SP77-13	90724	O RING
14	Y-SP77-14	90726	SEALING PLATE
15	Y-SP90MS-23	90678	THROWER
16	Y-SP77-16	90731	FRONT COVER
17	Y-SP77-17	90735	HANDLE
18	Y-SP77-18	90741	CROSS RECESS PAN HEAD SCREW
19	Y-SP77-19	90777	STATOR
20	Y-SP77-20	90787	ALUMINIUM PUMP HOUSING
21	Y-SP77-21	90789	SUPPORT LEG
22	Y-SP90MS-40	90695	SEALING WASHER
23	Y-SP53-26	90596	TERMINAL BOX BASE
24	Y-SP53-30	90598	CROSS PAN HEAD SCREW
25	Y-SP53-31	90599	TAPPING SCREW
26	Y-SP53-32	90800	LOCK BLOCK
27	Y-SP90MS-49	90703	SWITCH WITH SEALING WASHER
29	Y-SP53-34	90602	COVER OF TERMINAL BOX
30	Y-SP53-36	90605	TAPPING SCREW
31	Y-SP90MS-45	90700	20UF CAPACITOR
32	Y-SP53-37	90606	TAPPING SCREW
33	Y-SP53-38	90608	CABLE BLOCK
34	Y-SP53-39	90609	SWITCH SEALING GASKET
38	Y-SP90MS-27	90683	BEARING
39	Y-SP53-22	90584	KEY
40	Y-SP77-40	90790	ROTOR
41	Y-SP90MS-30	90686	CORRUGATED GASKET
42	Y-SP90MS-31	90687	MOTOR REAR COVER
43	Y-SP53-48	90625	SPRING WASHER
44	Y-SP77-44	90792	HEX HEAD BOLT
45	Y-SP90MS-35	90692	FAN

KEY No.	PART No.	STOCK No.	DESCRIPTION
46	Y-SP90MS-36	90693	SHAFT RING
47	Y-SP90MS-37	90694	FAN COVER
48	Y-SP53-50	90628	SCREW COMPONENT
49	Y-SP53-52	90630	DUST COVER
50	Y-SP53-53	90632	WIRING ASSEMBLY
51	Y-SP53-68	90640	OUTPUT CONNECTOR