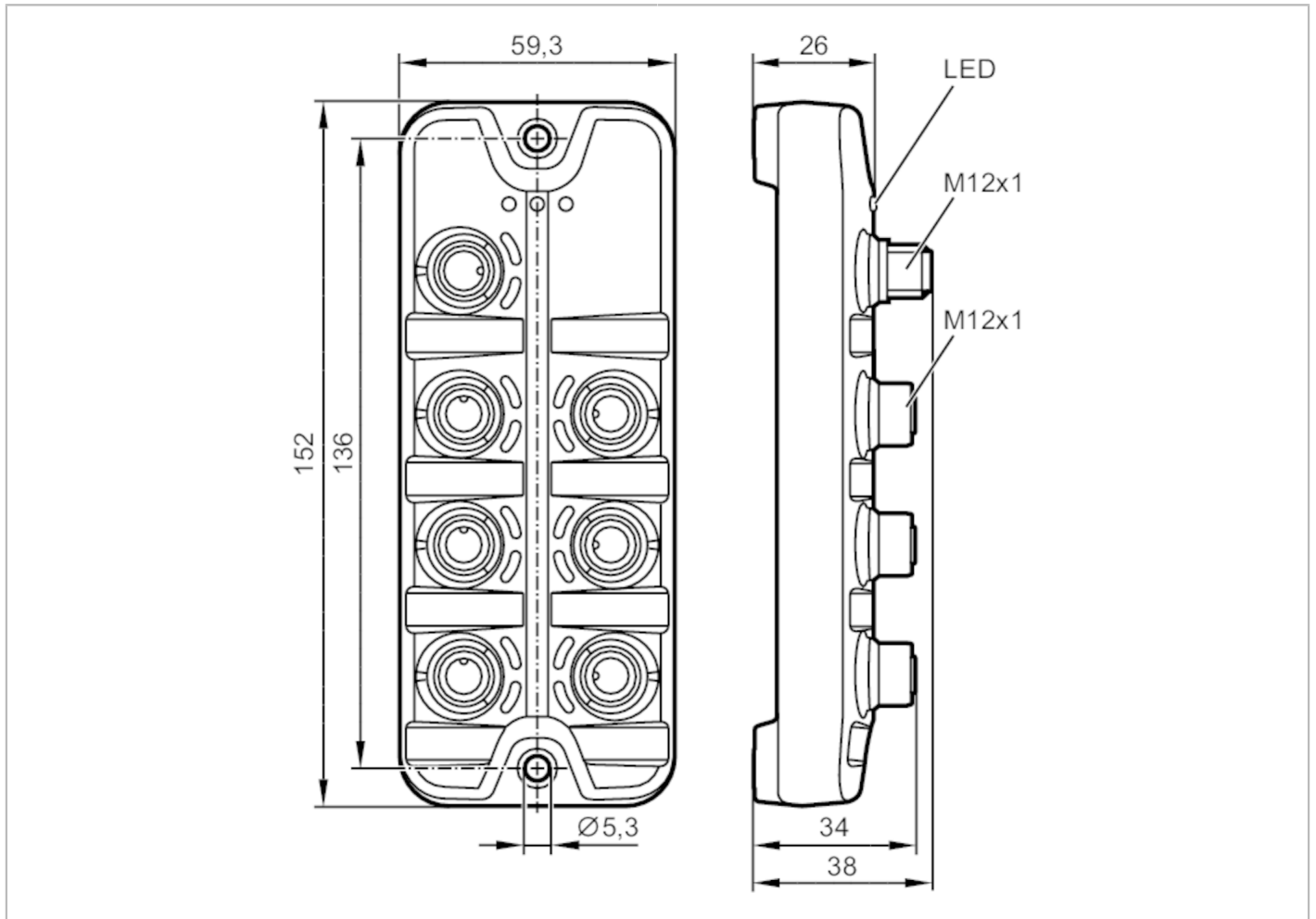


AL2340



IO-Link input module

IO-Link Module 6x2 DI M12 IP67



Electrical data	
Operating voltage [V]	18...30 DC
Current consumption [mA]	100...700; (US)
Protection class	III
Sensor supply US	
Current rating per port [A]	0.1
Inputs / outputs	
Number of inputs and outputs	Number of digital inputs: 12
Inputs	
Number of digital inputs	12; (6 x 2 PNP type 2 according to IEC 61131-2)
Sensor supply of the inputs	IO-Link
Voltage supply [V]	16...30

AL2340



IO-Link input module

IO-Link Module 6x2 DI M12 IP67

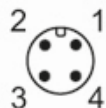
Interfaces		
Communication interface	IO-Link	
SDCI standard	IEC 61131-9	
Transmission type	COM2 (38,4 kBaud)	
IO-Link revision	1.1	
IO-Link device ID	995 d / 00 03 E3 h	
SIO mode	no	
Required master port type	A	
Min. process cycle time [ms]	4.3	
Operating conditions		
Ambient temperature [°C]	-25...60	
Storage temperature [°C]	-25...70	
Max. relative air humidity [%]	90	
Max. height above sea level [m]	2000	
Protection	IP 65; IP 67	
Degree of soiling	2	
Tests / approvals		
EMC	EN 61000-6-2	
	EN 61000-6-3	
	IEC 61131-9	
Shock resistance	DIN EN 60068-2-27	
Vibration resistance	DIN EN 60068-2-64	
	DIN EN 60068-2-6	
Mechanical data		
Weight [g]	288.3	
Materials	housing: PA orange; socket: brass nickel-plated	
Displays / operating elements		
Display	operation	1 x LED, green
	fault	1 x LED, red
	function	1 x LED, yellow
Accessories		
Accessories (optional)	protective cap for M12 sockets	
Remarks		
Pack quantity	1 pcs.	
Electrical connection - IO-Link		
X1		
1	+ 24 V DC (US)	
2	not used	
3	GND (US)	
4	IO-Link	
Connector: 1 x M12		

AL2340



IO-Link input module

IO-Link Module 6x2 DI M12 IP67



Electrical connection - Inputs

X1.0...X1.5

1	Sensor supply + 24 V DC (US)
2	digital input DI2
3	Sensor supply GND (US)
4	digital input DI1
5	not used

Connector: 6 x M12

