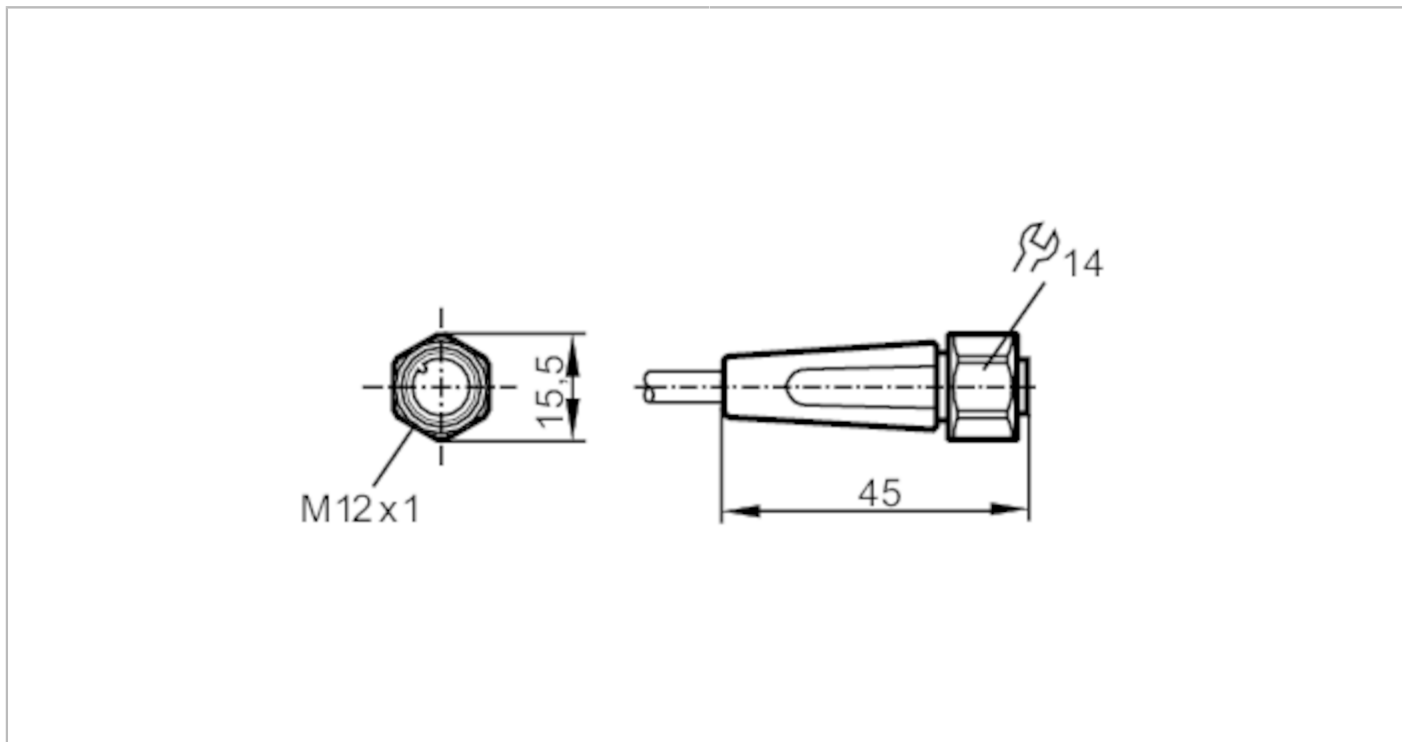


# EVT064



## Connecting cable with socket

ADOGH040VAS0002E04



| Application                          |  |
|--------------------------------------|--|
| Special feature                      | Free from silicone; Gold-plated contacts; Drag chain suitability |
| Application                          | hygienic and wet areas in the food industry                      |
| Free from silicone                   | yes  |
| Electrical data                      |  |
| Operating voltage [V]                | < 250 AC / < 300 DC  |
| Protection class                     | II   |
| Max. current load total [A]          | 4  |
| Operating conditions                 |  |
| Ambient temperature [°C]             | -25...100  |
| Note on ambient temperature          | cULus: ...50   |
| Ambient temperature (moving) [°C]    | 5...100  |
| Note on ambient temperature (moving) | cULus: ...50   |
| Protection                           | IP 65; IP 67; IP 68; IP 69K                                      |

# EVT064



## Connecting cable with socket

ADOGH040VAS0002E04

| Mechanical data        |                                    |  |
|------------------------|------------------------------------|--|
| Weight [g]             | 94.2                               |  |
| Dimensions [mm]        | 15.5 x 15.5 x 45                   |  |
| Materials              | housing: PVC orange; Sealing: EPDM |  |
| Material nut           | stainless steel (1.4404 / 316L)    |  |
| Drag chain suitability | yes                                |  |
| Drag chain suitability | bending radius for flexible use    | min. 10 x cable diameter   |
|                        | travel speed                       | max. 3.3 m/s for a horizontal travel length of 5 m and max. acceleration of 5 m/s <sup>2</sup> |
|                        | bending cycles                     | > 1 Mio.   |
|                        | torsional strain                   | ± 180 °/m  |

| Remarks       |        |
|---------------|--------|
| Pack quantity | 1 pcs. |

**Electrical connection**  
Cable: 2 m, PVC, orange, Ø 4.9 mm; 4 x 0.34 mm<sup>2</sup> (42 x Ø 0.1 mm )

**Electrical connection - socket**  
Connector: 1 x M12, straight; Locking: stainless steel (1.4404 / 316L); Contacts: gold-plated; Tightening torque: 0.6...1.5 Nm



## Connection



Core colours :

BK = black  
BN = brown  
BU = blue  
WH = white