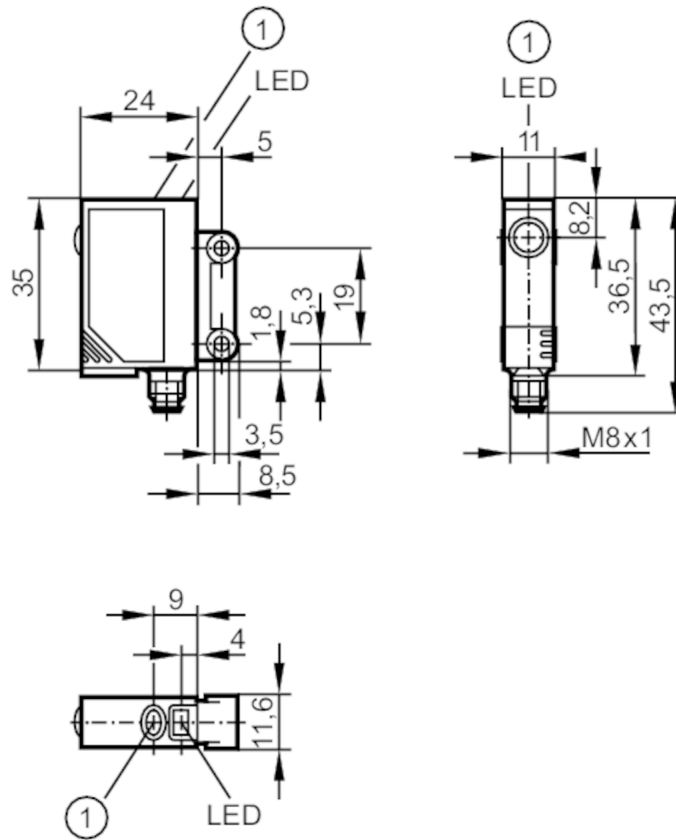




Retro-reflective sensor for the detection of transparent objects

OJPGFPKG/SO/AS



1 pushbutton



Product characteristics

| | |
|-----------------|--------------|
| Type of light | red light |
| Housing | rectangular |
| Dimensions [mm] | 35 x 11 x 24 |

Application

| | |
|--------------------|-------------------------|
| Special feature | polarisation filter |
| Function principle | Retro-reflective sensor |

Electrical data

| | |
|-----------------------------|------------|
| Operating voltage [V] | 10...30 DC |
| Current consumption [mA] | < 22 |
| Protection class | III |
| Reverse polarity protection | yes |
| Type of light | red light |
| Wave length [nm] | 660 |



Retro-reflective sensor for the detection of transparent objects

OJPGFPKG/SO/AS

| Outputs | | |
|---|------------------|---|
| Electrical design | | PNP |
| Output function | | light-on/dark-on mode; (programmable) |
| Max. voltage drop switching output DC | [V] | 2.5 |
| Permanent current rating of switching output DC | [mA] | 200 |
| Switching frequency DC | [Hz] | 2000 |
| Short-circuit protection | | yes |
| Type of short-circuit protection | | pulsed |
| Overload protection | | yes |
| Detection zone | | |
| Range referred to prismatic reflector | [m] | 0.2...1.5; (Prismatic reflector 50 x 50 mm E20722) |
| Range adjustable | | yes |
| Max. light spot diameter | [mm] | 64 |
| Light spot dimensions refer to | | at maximum range |
| Polarisation filter available | | yes |
| Operating conditions | | |
| Ambient temperature | [°C] | 0...60 |
| Protection | | IP 67 |
| Tests / approvals | | |
| EMC | | EN 60947-5-2 |
| MTTF | [years] | 854 |
| Mechanical data | | |
| Weight | [g] | 37.6 |
| Housing | | rectangular |
| Dimensions | [mm] | 35 x 11 x 24 |
| Materials | | housing: ABS; LED window: SEPS; pushbutton: SEPS |
| Lens material | | glass |
| Lens alignment | | side lens |
| Displays / operating elements | | |
| Display | switching status | 1 x LED, yellow |
| | operation | 1 x LED, green |
| | function | 1 x LED, red |
| Electronic lock | | yes |
| Accessories | | |
| Accessories (supplied) | | screws: 2 x |
| | | spring washers: 2 x |
| | | Nuts: 2 x |
| Remarks | | |
| Remarks | | operating voltage "supply class 2" according to cULus |
| Pack quantity | | 1 pcs. |

OJ5186



Retro-reflective sensor for the detection of transparent objects

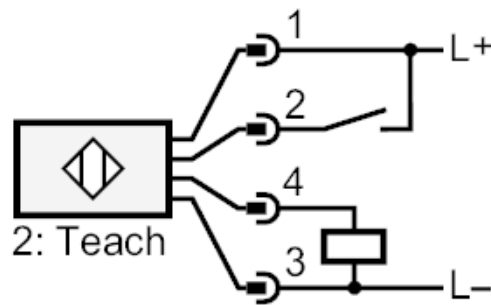
OJPGFPKG/SO/AS

Electrical connection

Connector: 1 x M8



Connection



2

Teach



Retro-reflective sensor for the detection of transparent objects

OJPGFPKG/SO/AS

Diagrams and graphs

excess gain graph

