


ECOLAB

Model number

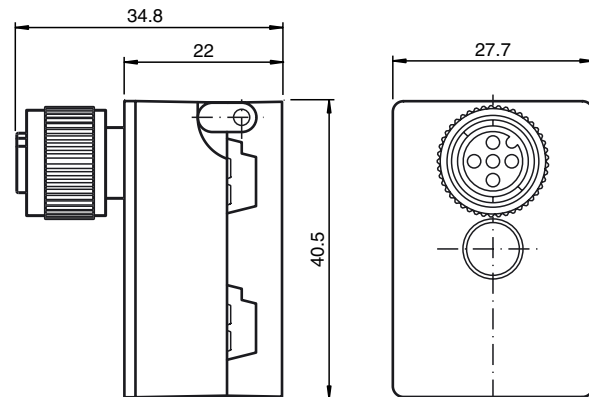
VAZ-2T1-FK-G10-V1

Splitter box G10, AS-Interface and auxiliary voltage to M12

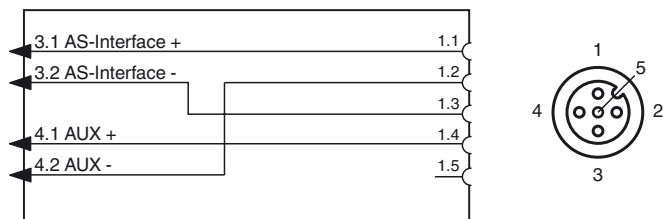
Features

- One piece housing
- Simple and fast mounting
- Gold-plated and machined contacts
- Immunity to vibration
- Degree of protection IP68 / IP69K

Dimensions



Electrical connection



Technical data

General specifications

Construction type	Socket, straight Flat cable terminals AS-Interface/ext. auxiliary voltage
UL File Number	E223772

Electrical specifications

Rated operating voltage	U_e	≤ 32 V PELV (AS-Interface , ext. auxiliary voltage AUX)
Rated operating current	I_e	≤ 3 A AS-Interface, ≤ 3 A AUX
Protection class		III
Current loading capacity		max. 4 A
Surge protection		overvoltage category III
Pulse withstand voltage		800 V

Ambient conditions

Ambient temperature	-25 ... 75 °C (-13 ... 167 °F)
Storage temperature	-25 ... 85 °C (-13 ... 185 °F)
Pollution Degree	3

Mechanical specifications

Degree of protection	IP67 IP67 / IP68 / IP69K with flat cable VAZ-FK-S*
Connection	Flat cable AS-Interface: cable piercing method Flat cable ext. auxiliary voltage U_{AUX} : Insulation penetration technology Plug connection: M12 x 1 socket (V1)
Material	
Contacts	CuSn / Au
Housing	PBT PC
Mounting screw	Stainless steel 1.4305 / AISI 303
Mass	45 g
Tightening torque, fastening screws	1.65 Nm

Compliance with standards and directives

Standard conformity	
Degree of protection	EN 60529:2000

Notes**Mounting instructions**

You may screw the device onto a level mounting surface using two M4 attachment screws. The attachment screws are not included.

