

# Reflector

20 × 60 × 6 mm

## Z90R004

Part Number

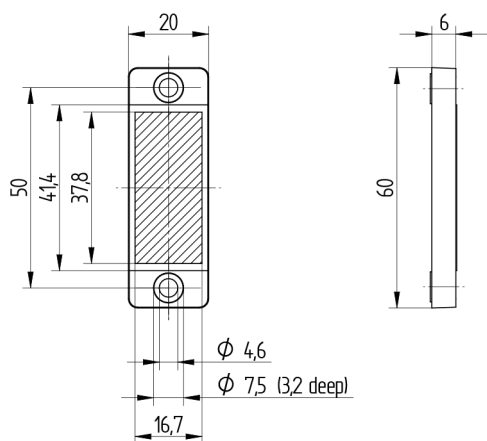
### Technical Data

#### Mechanical Data

Structure	Continuous Structure
Mounting Type	Fixing Holes
Orientation with respect to the sensor	horizontal; vertical
Material	Plastic
Temperature Range	-40...65 °C
Packaging unit	1 Piece



- With fixing holes



All dimensions in mm (1 mm = 0.03937 Inch)