



UC723

LINEAR INTEGRATED CIRCUIT

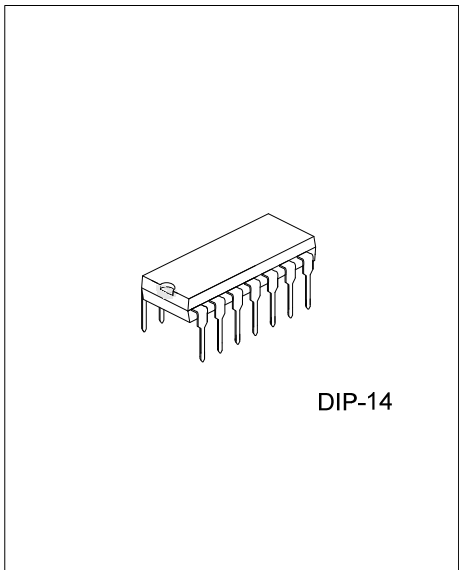
ADJUSTABLE VOLTAGE REGULATOR

DESCRIPTION

The UTC **UC723** is a silicon monolithic integrated circuit, designed for service as voltage regulator at output voltages, ranging from 2V ~ 37V at current up to 150mA. It includes a temperature-compensated reference amplifier, an error amplifier, a power series pass transistor, and a current-limiting circuit.

FEATURES

- *Up to 150mA Output Current
- *Adjustable Output Voltage (From 2V ~ 37V)
- *Positive and Negative Voltage Regulation
- *Regulation in Excess of 10A with Suitable Pass Transistors
- *Input and Output Short-Circuit Protection
- *Load and Line Regulation < 0.03%

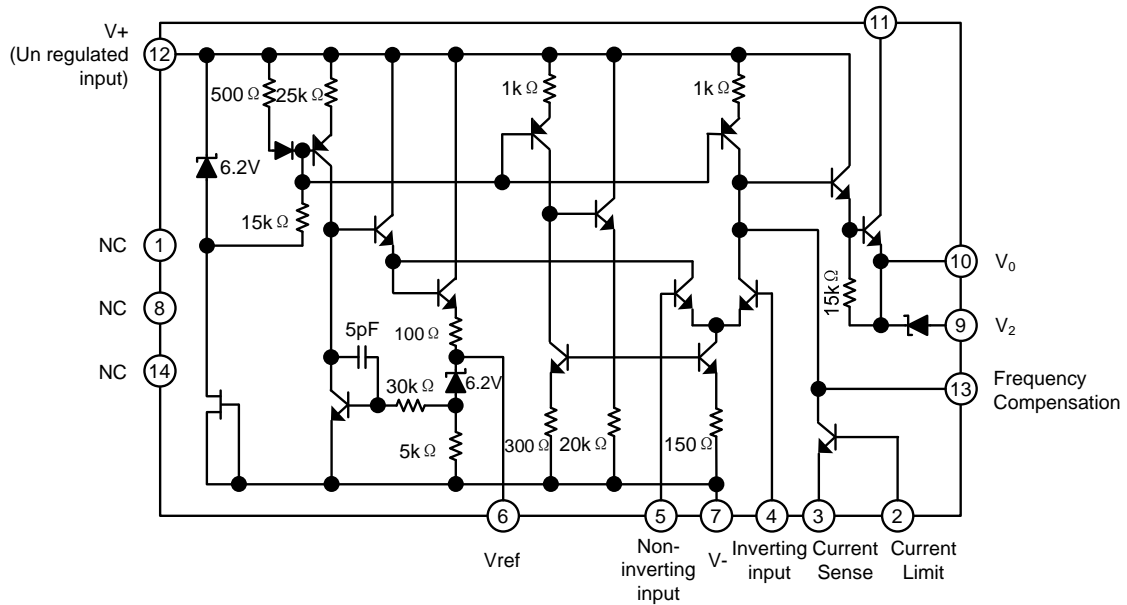


ORDERING INFORMATION

Ordering Number		Package	Packing
Lead free	Halogen Free		
UC723L-D14-T	UC723G-D14-T	DIP-14	Tube

<p>UC723L-D14-T</p> <p>(1) Packing Type (2) Package Type (3) Lead Free</p>	<p>(1) T: Tube (2) D14 : DIP-14 (3) G: Halogen Free, L: Lead Free</p>
--	---

■ BLOCK DIAGRAM



■ ABSOLUTE MAXIMUM RATINGS (T_A=25°C)

PARAMETER	SYMBOL	VALUE	UNIT
Supply Voltage(between V+ and V-)	V _{CC}	40	V
Pulse Voltage for 50ms	V _{PULSE}	50	V
Differential Input-Output Voltage	V _D	40	V
Different Input Voltage (Between inverting and non-inverting inputs)	V _{ID}	±5	V
Different Input Voltage (Between Non-inverting Input and V-)	V _{ID}	8	V
Current from Zener Diode Terminal	I _Z	25	mA
Power Dissipation	P _D	900	mW
Operating Temperature	T _{OPR}	0 ~ 70	°C
Storage Temperature	T _{STG}	-40 ~ 150	°C
Junction Temperature	T _J	125	°C

Note: Absolute maximum ratings are those values beyond which the device could be permanently damaged. Absolute maximum ratings are stress ratings only and functional device operation is not implied.

■ ELECTRICAL CHARACTERISTICS

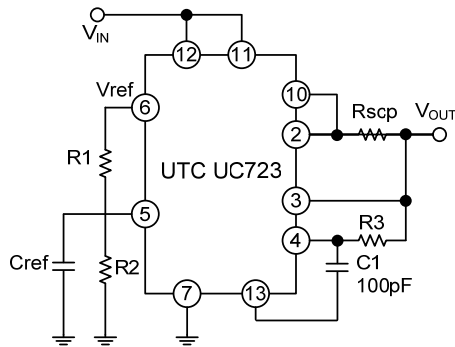
(T_A=25°C, V₊=V_C=V_{IN}=12V, V_{OUT}=5V, I_L=1mA, C₁=100Pf, C_{REF}=0, R_{SCP}=0, unless otherwise specified, divider impedance R₁*R₂ / (R₁+R₂) at non-inverting input, terminal 5=10KΩ)

PARAMETER	SYMBOL	TEST CONDITIONS	MIN	TYP	MAX	UNIT
Quiescent Regulator Current	I _{CCQ}	I _L =0, V _{IN} =30V		2.3	3.5	mA
Input Voltage Range	V _{IN}		9.5		40	V
Output Voltage Range	V _{OUT}		2		37	V
Differential Input-Output Voltage	V _{IN} -V _{OUT}		3		38	V
Reference Voltage	V _{REF}		6.95	7.15	7.35	V
Line Regulation (Note 1)	ΔV _{OUT}	V _{IN} =12V ~ 40V		0.6	1	%V _O
		V _{IN} =12V ~ 15V		0.01	0.1	
		V _{IN} =12V ~ 15V, T _A =-55~125°C				
Load Regulation (Note 1)	ΔV _{OUT}	I _L =1mA ~ 50mA		0.03	0.15	%V _O
		I _L =1mA ~ 50mA, T _A =-55 ~ 125°C			0.6	
Output Voltage Temperature Coefficient	ΔV _{OUT}	T _A =-55~125°C		0.002	0.015	%/°C
Ripple Rejection (Note 2)	RR	f=50Hz ~ 10KHz		74		dB
		f=50Hz ~ 10KHz, C _{REF} =5μF		86		
		T _{MIN} <T _{TYP} <T _{MAX}		2.5		
Short Circuit Limiting Current	I _{LIM}	R _{SCP} =10Ω, V _{OUT} =0		65		mA
Equivalent Noise RMS output Voltage (Note 2)	V _N	BW=100Hz ~ 10KHz, C _{REF} =0		-20		μV
		BW=100Hz ~ 10KHz, C _{REF} =5μF		2.5		

Note 1: Line and load regulation specifications are given for conditions of a constant chip temperature. For high dissipation condition, temperature drifts must be separately taken in account.

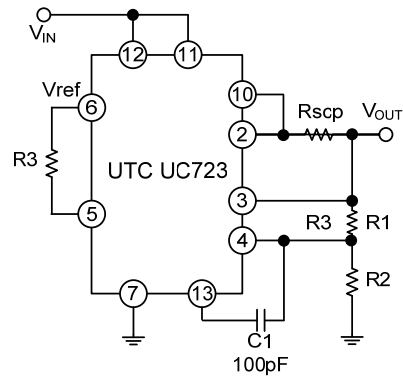
2: For C_{REF}, see Fig. 1

APPLICATION CIRCUIT



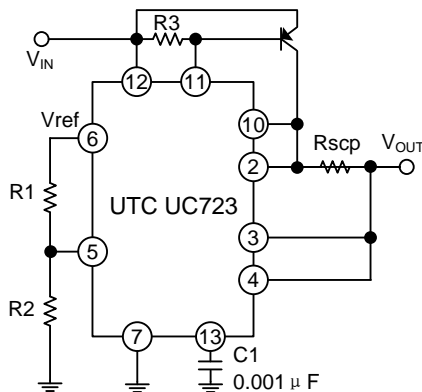
Regulator Output Voltage=5V
 Line Regulation ($\Delta V_{IN}=3V$)=0.5mV
 Load Regulation ($\Delta I_L=50mA$)=1.5mA
 Note $R3=R1 \cdot R2 / (R1+R2)$ for Minimum temperature drift

Fig. 1 Low Voltage Regulator circuit ($V_{OUT} = 2V \sim 7V$)



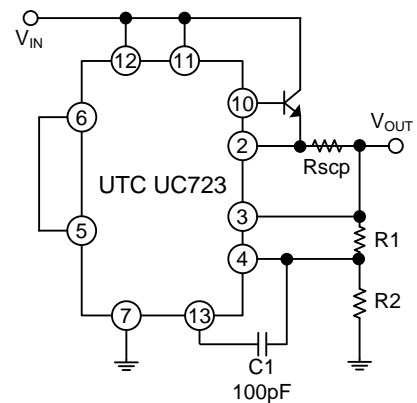
Regulator Output Voltage=5V
 Line Regulation ($\Delta V_{IN}=3V$)=1.5mV
 Load Regulation ($\Delta I_L=50mA$)=4.5mA
 Note $R3=R1 \cdot R2 / (R1+R2)$ for Minimum temperature drift

Fig. 2 High Voltage Regulator circuit ($V_{OUT} = 7V \sim 37V$)



Regulator Output Voltage=5V
 Line Regulation ($\Delta V_{IN}=3V$)=0.5mV
 Load Regulation ($\Delta I_L=1A$)=5mA

Fig. 3 Positive Voltage Regulator circuit (with external p-n-p pass transistor)



Regulator Output Voltage=15V
 Line Regulation ($\Delta V_{IN}=3V$)=1.5mV
 Load Regulation ($\Delta I_L=1A$)=15mA

Fig. 4 Positive Voltage Regulator circuit (with external n-p-n pass transistor)

UTC assumes no responsibility for equipment failures that result from using products at values that exceed, even momentarily, rated values (such as maximum ratings, operating condition ranges, or other parameters) listed in products specifications of any and all UTC products described or contained herein. UTC products are not designed for use in life support appliances, devices or systems where malfunction of these products can be reasonably expected to result in personal injury. Reproduction in whole or in part is prohibited without the prior written consent of the copyright owner. The information presented in this document does not form part of any quotation or contract, is believed to be accurate and reliable and may be changed without notice.