

Product Range



Power Rocker Switches

- **Single Pole Power Rocker Switches:**
PRB, PRG and PRH Series
- **Single and Double Pole Power Rocker Switches:**
PRA and PRC Series
- **Double Pole Power Rocker Switches:**
PRD, PRE and PRF Series

Main features:

- Wide range of switch functions
- Dust resistant, up to IP66 sealing (PRC Series)
- Optional splashproof cover
- Many different panel cut-out sizes
- Easy snap-in mounting
- Full illuminated rocker or lamp window option
- Different colors
- Wide range of marking options
- Approvals available: VDE, ENEC, UL, CSA



PRAS Series, Power Rocker, 13.0 x 19.2mm Panel Cut-outpage G3



PRAD Series, Power Rocker, 13.0 x 19.2mm Panel Cut-outpage G6

Product Range (Continued)



PRB Series, Power Rocker, 13.8 x 27.6mm Panel Cut-outpage G8



PRC Series, Power Rocker, 21.2 x 36.6mm Panel Cut-out, IP66page G11



PRD Series, Power Rocker, 25.4 x 27.6mm Panel Cut-outpage G14



PRE Series, Power Rocker, 19.4 x 22.2mm Panel Cut-outpage G16



PRF Series, Power Rocker, 22.2 x 30.2mm Panel Cut-outpage G18



PRG Series, Power Rocker, 11.2 x 30.2mm Panel Cut-outpage G20



PRH Series, Power Rocker, 7.0 x 19.2mm Panel Cut-outpage G22

PRAS Series, Power Rocker, 13.0 x 19.2mm Panel Cut-out

Features

- Easy snap-in mounting
- Single pole
- Full illuminated rocker option
- Lamp window illuminated option
- Different colors
- Wide range of marking options and functions available
- Degree of protection: IP40
- Optional splashproof cover



Typical performance characteristics

Number of poles	1
Switch functions	ON-OFF, (ON)-OFF, ON-ON, ON-OFF-ON, ON-OFF-(ON)
Contact rating	UL: 16 A @ 125 VAC, 1/3hp/10 A @ 250 VAC, 1/2 hp VDE/ENEC: 10 A @ 125 VAC, 6(3) A @ 250 VAC
Electrical life	>6,000 cycles
Mechanical life	>100,000 cycles
Contact resistance	max 100 mOhm
Insulation resistance	min 100 MOhm
Dielectric strength	>1,000 VAC for 1 min
Actuation force	1.4 N - 6.3 N
Panel cut-out	13.0 x 19.2 mm
Standards and specs	UL, VDE / ENEC
Approvals	UL-E46765; VDE/ENEC-40006757

Environmental specification

Operating temperature	-20 to +85 °C
Vibration resistance	1,5 mm 10-55 Hz
Terminal strength	24.5 N - 66.6 N

Material specifications

Contacts	silver-tin oxide
Terminals	copper alloy
Actuator	nylon 66 / PC (illuminated)
Housing & frame	nylon 66
Plunger	nickel plated copper alloy
RoHS compliance	compliant

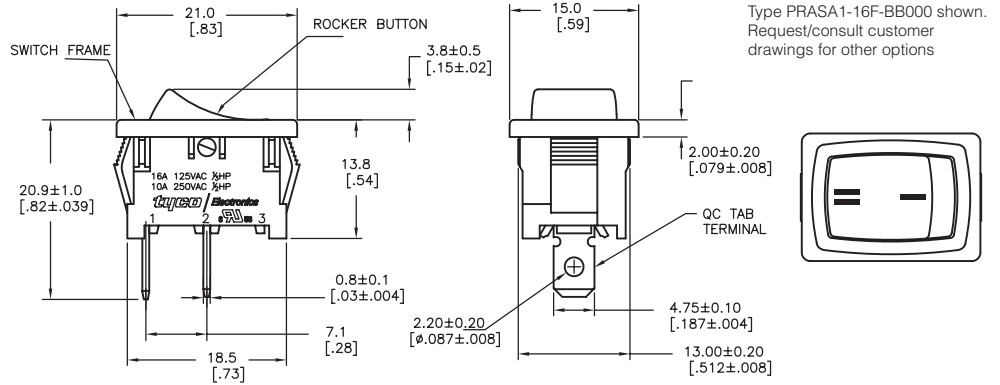
Product key	Typical product key PR A S A1 -16 F -B B 0 0 0																									
Type	PR Power rocker switch																									
Panel cut-out size	A 13.0 x 19.2 mm																									
Number of poles	S single pole																									
Switch function	<table border="0"> <tr> <td>A1 ON-OFF; opaque, single-color rocker</td> <td>B4 ON-OFF; opaque, with 200-250 V lamp</td> </tr> <tr> <td>A2 ON-OFF; opaque, dual-color rocker</td> <td>C1 ON-OFF; opaque, LED-illuminated rocker</td> </tr> <tr> <td>A3 (ON)-OFF; opaque, single-color rocker</td> <td>D1 ON-ON; opaque, single-color rocker</td> </tr> <tr> <td>A4 ON-(OFF); opaque, single-color rocker</td> <td>D2 ON-(ON); opaque, single-color rocker</td> </tr> <tr> <td>B1 ON-OFF; transparent, 100-125 V lamp</td> <td>D3 ON-OFF-ON; opaque, single-color rocker</td> </tr> <tr> <td>B2 ON-OFF; opaque, with 100-125 V lamp</td> <td>D4 ON-OFF-(ON); opaque, single-color rocker</td> </tr> <tr> <td>B3 ON-OFF; transparent, 200-250 V lamp</td> <td>D5 (ON)-OFF-(ON); opaque, single-color rocker</td> </tr> </table>												A1 ON-OFF; opaque, single-color rocker	B4 ON-OFF; opaque, with 200-250 V lamp	A2 ON-OFF; opaque, dual-color rocker	C1 ON-OFF; opaque, LED-illuminated rocker	A3 (ON)-OFF; opaque, single-color rocker	D1 ON-ON; opaque, single-color rocker	A4 ON-(OFF); opaque, single-color rocker	D2 ON-(ON); opaque, single-color rocker	B1 ON-OFF; transparent, 100-125 V lamp	D3 ON-OFF-ON; opaque, single-color rocker	B2 ON-OFF; opaque, with 100-125 V lamp	D4 ON-OFF-(ON); opaque, single-color rocker	B3 ON-OFF; transparent, 200-250 V lamp	D5 (ON)-OFF-(ON); opaque, single-color rocker
A1 ON-OFF; opaque, single-color rocker	B4 ON-OFF; opaque, with 200-250 V lamp																									
A2 ON-OFF; opaque, dual-color rocker	C1 ON-OFF; opaque, LED-illuminated rocker																									
A3 (ON)-OFF; opaque, single-color rocker	D1 ON-ON; opaque, single-color rocker																									
A4 ON-(OFF); opaque, single-color rocker	D2 ON-(ON); opaque, single-color rocker																									
B1 ON-OFF; transparent, 100-125 V lamp	D3 ON-OFF-ON; opaque, single-color rocker																									
B2 ON-OFF; opaque, with 100-125 V lamp	D4 ON-OFF-(ON); opaque, single-color rocker																									
B3 ON-OFF; transparent, 200-250 V lamp	D5 (ON)-OFF-(ON); opaque, single-color rocker																									
Power rating	16 16 A @ 125 VAC 1/3 hp, 10 A @ 250 VAC 1/2 hp; 10 A @ 125 VAC, 6(3) A @ 250 VAC																									
Terminal type	F quick connect L solder lug R right angle solder																									
Frame color	B black W white																									
Rocker color	<table border="0"> <tr> <td>A amber</td> <td>C clear</td> <td>R red</td> </tr> <tr> <td>B black</td> <td>G green</td> <td>Y yellow</td> </tr> </table>												A amber	C clear	R red	B black	G green	Y yellow								
A amber	C clear	R red																								
B black	G green	Y yellow																								
2nd Rocker color	<table border="0"> <tr> <td>0 none</td> <td>A amber</td> <td>C clear</td> <td>R red</td> </tr> <tr> <td></td> <td>B black</td> <td>G green</td> <td>W white</td> </tr> </table>												0 none	A amber	C clear	R red		B black	G green	W white						
0 none	A amber	C clear	R red																							
	B black	G green	W white																							
Legend pattern	<table border="0"> <tr> <td>0 none</td> <td>C O I</td> <td>F - O =</td> <td>J O-</td> </tr> <tr> <td>A •</td> <td>D - =</td> <td>G I O II</td> <td>K < O ></td> </tr> <tr> <td>B O -</td> <td>E I II</td> <td>H ON OFF</td> <td></td> </tr> </table>												0 none	C O I	F - O =	J O-	A •	D - =	G I O II	K < O >	B O -	E I II	H ON OFF			
0 none	C O I	F - O =	J O-																							
A •	D - =	G I O II	K < O >																							
B O -	E I II	H ON OFF																								
Legend color	<table border="0"> <tr> <td>0 none</td> <td>B black</td> <td>G green</td> <td>R red</td> <td>W white</td> </tr> </table>												0 none	B black	G green	R red	W white									
0 none	B black	G green	R red	W white																						

PRAS Series, Power Rocker, 13.0 x 19.2mm Panel Cut-out (Continued)

Number of poles



S single pole



Function



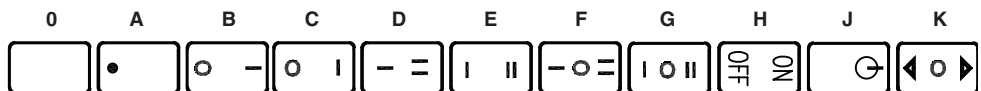
Function	▲	▲	▲	▲	▲	▲
A1	On	None	Off	1-2	-	-
A2	On	None	Off	1-2	-	-
A3	(On)	None	Off	1-2	-	-
A4	On	None	(Off)	1-2	-	-
B1	On	None	Off	1-2	-	-
B2	On	None	Off	1-2	-	-
B3	On	None	Off	1-2	-	-
B4	On	None	Off	1-2	-	-
C1	On	None	Off	1-2	-	-
D1	On	None	On	1-2	-	2-3
D2	On	None	(On)	1-2	-	2-3
D3	On	Off	On	1-2	Off	2-3
D4	On	Off	(On)	1-2	Off	2-3
D5	(On)	Off	(On)	1-2	Off	2-3

Off indicates a mechanical position with no electrical connection
 (On) indicates momentary connection
 None indicates no mechanical position

Legend Pattern



Codes 0, A, B, C, D, E, F, G, H, J, K



PRAS Series, Power Rocker, 13.0 x 19.2mm Panel Cut-out (Continued)

Product key	Panel cut-out	Poles	Switch function	Power rating	Terminal	Frame	Rocker color	2nd R. color	Legend	Legend color	Part Number
PRASA1-16F-BB000	13.0	single pole	ON-NONE-OFF	16 A @	quick connect	black	black	none	none	none	1571076-9
PRASA1-16F-BB0BW	x								O -	white	1-1571076-0
PRASA1-16F-BB0CW	19.2 mm			125 VAC	4.8 (.187)				O I		1-1571076-1
PRASA1-16F-BB0HW				10 A @					ON OFF		2-1571076-0
PRASA1-16F-BR000							red		none	none	6-1571076-5
PRASA1-16L-BB000				250 VAC	solder lug		black		none		1-1571076-2
PRASA1-16L-BB0BW									O -	white	1-1571076-3
PRASA1-16L-BB0CW									O I		1-1571076-4
PRASA1-16L-BR000							red		none	none	6-1571076-6
PRASA1-16L-BR0BW									O -	white	3-1571076-0
PRASA2-16F-BBRBR					quick connect		black	red	O -	red	6-1571076-7
PRASA3-16F-BB0JW			(ON)-NONE-OFF		4.8 (.187)			none	O -	white	2-1571076-1
PRASB1-16F-BR000			ON-NONE-OFF				red		none	none	5-1571078-2
PRASB2-16F-BBR00							black	red	none		1571078-4
PRASC1-16F-BBR00									none		1571083-2
PRASD1-16F-BB000			ON-NONE-ON					none	none		1571079-4
PRASD1-16F-BB0DW									- =	white	1571079-5
PRASD1-16F-BB0EW									I II		1571079-6
PRASD2-16F-BB000			ON-NONE-(ON)						none	none	1-1571079-0
PRASD2-16F-BB0DW									- =	white	1-1571079-1
PRASD2-16F-BB0EW									I II		1-1571079-2
PRASD3-16F-BB000			ON-OFF-ON						none	none	1571079-7
PRASD3-16F-BB0FW									- O =	white	1571079-8
PRASD3-16F-BB0GW									I O II		1571079-9
PRASD4-16F-BB000			ON-OFF-(ON)						none	none	1-1571079-3
PRASD4-16F-BB0FW									- O =	white	1-1571079-4
PRASD4-16F-BB0GW									I O II		1-1571079-5
PRASD5-16F-BB0KW			(ON)-OFF-(ON)						< O >		1-1571079-6
splashproof cover											5-1571786-1

Preferred parts in bold print

PRAD Series, Power Rocker, 13.0 x 19.2mm Panel Cut-out

Features

- Easy snap-in mounting
- Double pole
- Different colors
- Wide range of marking options and functions available
- Degree of protection: IP40
- Optional splashproof cover



Typical performance characteristics

Number of poles	2
Switch functions	ON-(OFF), ON (ON), ON-OFF, (ON)-OFF, ON-ON (ON)-OFF-(ON), ON-OFF-ON, ON-OFF-(ON)
Contact rating	12 A @125 VAC, 6 A @ 250 VAC
Electrical life	>6,000 cycles
Mechanical life	>100,000 cycles
Contact resistance	max 100 mOhm
Insulation resistance	min 100 MOhm
Dielectric strength	>1,000 VAC for 1 min
Actuation force	3.9 N - 13.7 N
Panel cut-out	13.0 x 19.2 mm
Standards and specs	UL
Approvals	UL-E46765

Environmental specification

Operating temperature	-20 to +85 °C
Vibration resistance	1,5 mm 10-55 Hz
Terminal strength	66.6 N

Material specifications

Contacts	copper alloy
Terminals	copper alloy
Actuator	nylon 66
Housing & frame	nylon 66
Plunger	nickel plated brass
RoHS compliance	compliant

Power Rocker Switches

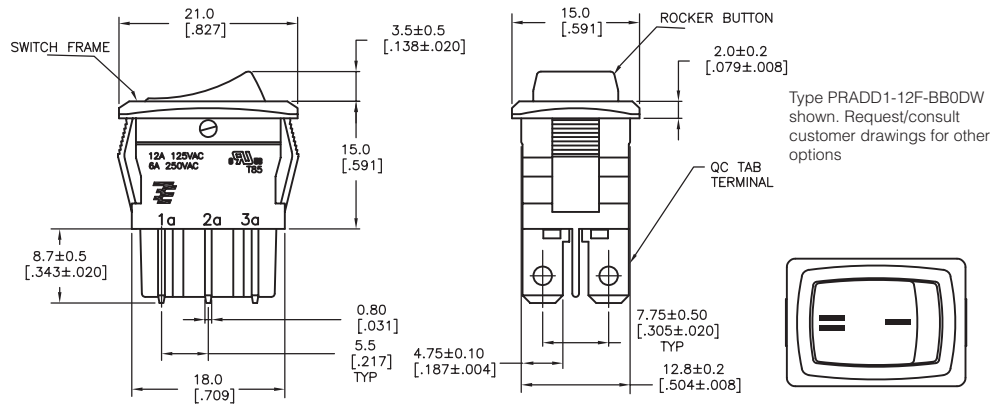
Product key	Typical product key																				
	PR	A	D	A1	-12	F	-B	B	0	0	0										
Type	Power rocker switch																				
Panel cut-out size	13.0 x 19.2 mm																				
Number of poles	double pole																				
Switch function	<table border="0"> <tr> <td>A1 ON-OFF; opaque, single-color rocker</td> <td>D2 ON-(ON); opaque, single-color rocker</td> </tr> <tr> <td>A3 (ON)-OFF; opaque, single-color rocker</td> <td>D3 ON-OFF-ON; opaque, single-color rocker</td> </tr> <tr> <td>A4 ON-(OFF); opaque, single-color rocker</td> <td>D4 ON-OFF-(ON); opaque, single-color rocker</td> </tr> <tr> <td>D1 ON-ON; opaque, single-color rocker</td> <td>D5 (ON)-OFF-(ON); opaque, single-color rocker</td> </tr> </table>												A1 ON-OFF; opaque, single-color rocker	D2 ON-(ON); opaque, single-color rocker	A3 (ON)-OFF; opaque, single-color rocker	D3 ON-OFF-ON; opaque, single-color rocker	A4 ON-(OFF); opaque, single-color rocker	D4 ON-OFF-(ON); opaque, single-color rocker	D1 ON-ON; opaque, single-color rocker	D5 (ON)-OFF-(ON); opaque, single-color rocker	
A1 ON-OFF; opaque, single-color rocker	D2 ON-(ON); opaque, single-color rocker																				
A3 (ON)-OFF; opaque, single-color rocker	D3 ON-OFF-ON; opaque, single-color rocker																				
A4 ON-(OFF); opaque, single-color rocker	D4 ON-OFF-(ON); opaque, single-color rocker																				
D1 ON-ON; opaque, single-color rocker	D5 (ON)-OFF-(ON); opaque, single-color rocker																				
Power rating	12 12 A @ 125 VAC, 6 A @ 250 VAC																				
Terminal type	F quick connect																				
Frame color	B black W white																				
Rocker color	B black R red W white G green Y yellow																				
2nd Rocker color	0 none																				
Legend pattern	<table border="0"> <tr> <td>0 none</td> <td>C O I</td> <td>F - O =</td> </tr> <tr> <td>A •</td> <td>D - =</td> <td>G I O II</td> </tr> <tr> <td>B O -</td> <td>E I II</td> <td>H ON OFF</td> </tr> </table>												0 none	C O I	F - O =	A •	D - =	G I O II	B O -	E I II	H ON OFF
0 none	C O I	F - O =																			
A •	D - =	G I O II																			
B O -	E I II	H ON OFF																			
Legend color	0 none B black G green R red W white																				

PRAD Series, Power Rocker, 13.0 x 19.2mm Panel Cut-out (Continued)

Number of poles



D double pole



Function



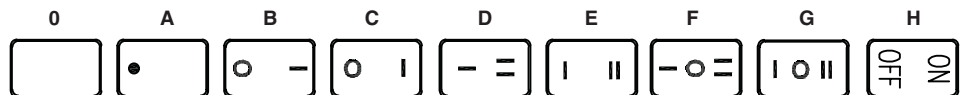
Function	▲	▲	▲	▲	▲	▲
A1	On	None	Off	1a-2a, 1b-2b	-	-
A3	(On)	None	Off	1a-2a, 1b-2b	-	-
A4	On	None	(Off)	1a-2a, 1b-2b	-	-
D1	On	None	On	1a-2a, 1b-2b	-	2a-3a, 2b-3b
D2	On	None	(On)	1a-2a, 1b-2b	-	2a-3a, 2b-3b
D3	On	Off	On	1a-2a, 1b-2b	Off	2a-3a, 2b-3b
D4	On	Off	(On)	1a-2a, 1b-2b	Off	2a-3a, 2b-3b
D5	(On)	Off	(On)	1a-2a, 1b-2b	Off	2a-3a, 2b-3b

Off indicates a mechanical position with no electrical connection
 (On) indicates momentary connection
 None indicates no mechanical position

Legend Pattern



Codes 0, A, B, C, D, E, F, G, H



Product key	Panel cut-out	Poles	Switch function	Power rating	Terminal	Frame	Rocker color	2nd R. color	Legend	Legend color	Part Number
PRADA1-12F-BB000	13.0	double pole	ON-NONE-OFF	12 A	quick connect	black	black	none	none	none	1977068-1
PRADA1-12F-BB0BW	x			@	4.8 (.187)				O -	white	1977068-2
PRADA1-12F-BB0CW	19.2 mm			125 VAC					O		1977068-3
PRADA1-12F-BR000				6 A			red		none	none	1977068-4
PRADA1-12F-BR0BW				@					O -	white	1977068-5
PRADA1-12F-BB0HW				250 VAC			black		ON OFF		1977068-6
PRADD1-12F-BB000			ON-NONE-ON						none	none	1977069-1
PRADD1-12F-BB0DW									- =	white	1977069-2
PRADD1-12F-BB0EW											1977069-3
PRADD3-12F-BB000			ON-OFF-ON						none	none	1977069-4
PRADD3-12F-BB0FW									- O =	white	1977069-5
PRADD3-12F-BB0GW									O		1977069-6
PRADD2-12F-BB000			ON-NONE-(ON)						none	none	1977069-7
PRADD2-12F-BB0DW									- =	white	1977069-8
PRADD2-12F-BB0EW											1977069-9
PRADD4-12F-BB000			ON-OFF-(ON)						none	none	1-1977069-0
PRADD4-12F-BB0FW									- O =	white	1-1977069-1
PRADD4-12F-BB0GW									O		1-1977069-2
PRADD5-12F-BB000 splashproof cover			(ON)-OFF-(ON)						none	none	1-1977069-3 5-1517186-1

Preferred parts in bold print

PRB Series, Power Rocker, 13.8 x 27.6mm Panel Cut-out

Features

- Easy snap-in mounting
- Single pole
- Full illuminated rocker option
- Lamp window illuminated option
- Different colors
- Wide range of marking options and functions available
- Degree of protection: IP40



Typical performance characteristics

Number of poles 1
 Switch functions ON-OFF, (ON)-OFF, ON-ON
 ON-(ON), ON-OFF-ON, (ON)-OFF-(ON)
 Contact rating UL: 16 A @ 125 VAC, 1/3hp/10 A @ 250 VAC, 1/2 hp
 VDE/ENEC: 10(4) A @ 250 VAC
 Electrical life >6,000 cycles
 Mechanical life >100,000 cycles
 Contact resistance max 50 mOhm
 Insulation resistance min 100 MOhm
 Dielectric strength >1,000 VAC for 1 min
 Actuation force 2,9 N - 6,8 N
 Panel cut-out 13,8 x 27,6 mm
 Standards and specs VDE/ENEC
 Approvals UL-E46765, VDE/ENEC-40020315

Environmental specification

Operating temperature -20 to +85°C
 Vibration resistance 1,5 mm 10-55 Hz
 Terminal strength 24.5 N to 98.0 N

Material specifications

Contacts silver-tin oxide
 Terminals silver plated copper alloy
 Actuator nylon 66 / PC (illuminated)
 Housing & frame nylon 66
 Plunger nickel plated copper alloy
 RoHS compliance compliant

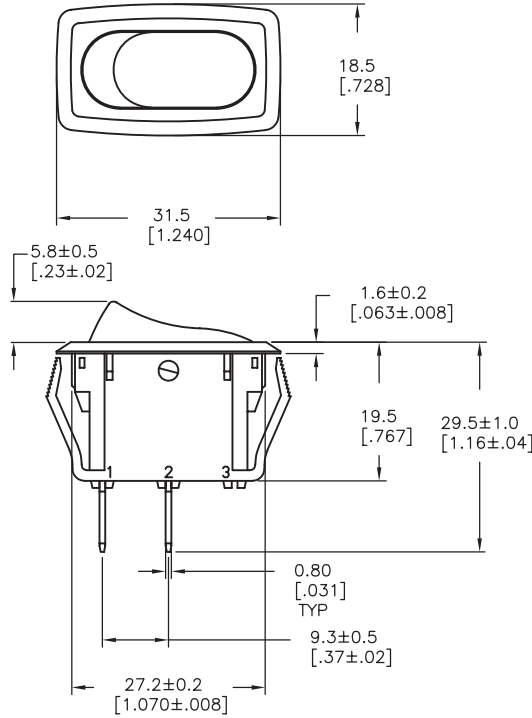
Product key	Typical product key											PR	B	D	A1	-16	F	-B	B	0	0	0										
Type	Power rocker switch																															
Panel cut-out size	13.8 x 27.6 mm																															
Number of poles	single pole																															
Switch function	<table border="0"> <tr> <td>A1 ON-OFF; opaque, single-color rocker</td> <td>C2 (ON)-OFF; opaque, LED-illuminated rocker</td> </tr> <tr> <td>A2 ON-OFF; opaque, dual-color rocker</td> <td>D1 ON-ON; opaque, single-color rocker</td> </tr> <tr> <td>B1 ON-OFF; transparent, 100-125 V lamp</td> <td>D2 ON-(ON); opaque, single-color rocker</td> </tr> <tr> <td>B3 ON-OFF; transparent, 200-250 V lamp</td> <td>D3 ON-OFF-ON; opaque, single-color rocker</td> </tr> <tr> <td>C1 ON-OFF; opaque, LED-illuminated rocker</td> <td>D5 (ON)-OFF-(ON); opaque, single-color rocker</td> </tr> </table>											A1 ON-OFF; opaque, single-color rocker	C2 (ON)-OFF; opaque, LED-illuminated rocker	A2 ON-OFF; opaque, dual-color rocker	D1 ON-ON; opaque, single-color rocker	B1 ON-OFF; transparent, 100-125 V lamp	D2 ON-(ON); opaque, single-color rocker	B3 ON-OFF; transparent, 200-250 V lamp	D3 ON-OFF-ON; opaque, single-color rocker	C1 ON-OFF; opaque, LED-illuminated rocker	D5 (ON)-OFF-(ON); opaque, single-color rocker											
A1 ON-OFF; opaque, single-color rocker	C2 (ON)-OFF; opaque, LED-illuminated rocker																															
A2 ON-OFF; opaque, dual-color rocker	D1 ON-ON; opaque, single-color rocker																															
B1 ON-OFF; transparent, 100-125 V lamp	D2 ON-(ON); opaque, single-color rocker																															
B3 ON-OFF; transparent, 200-250 V lamp	D3 ON-OFF-ON; opaque, single-color rocker																															
C1 ON-OFF; opaque, LED-illuminated rocker	D5 (ON)-OFF-(ON); opaque, single-color rocker																															
Power rating	16 A @ 125 VAC, 1/3 hp; 10 A @ 250 VAC, 1/2 hp; 10(4) A @ 250 VAC																															
Terminal type	<table border="0"> <tr> <td>F quick connect</td> <td>L solder lug</td> </tr> </table>											F quick connect	L solder lug																			
F quick connect	L solder lug																															
Frame color	<table border="0"> <tr> <td>B black</td> <td>W white</td> </tr> </table>											B black	W white																			
B black	W white																															
Rocker color	<table border="0"> <tr> <td>A amber</td> <td>C clear</td> <td>R red</td> </tr> <tr> <td>B black</td> <td>G green</td> <td>W white</td> </tr> </table>											A amber	C clear	R red	B black	G green	W white															
A amber	C clear	R red																														
B black	G green	W white																														
2nd Rocker color	<table border="0"> <tr> <td>0 none</td> <td>A amber</td> <td>C clear</td> <td>R red</td> </tr> <tr> <td></td> <td>B black</td> <td>G green</td> <td>W white</td> </tr> </table>											0 none	A amber	C clear	R red		B black	G green	W white													
0 none	A amber	C clear	R red																													
	B black	G green	W white																													
Legend pattern	<table border="0"> <tr> <td>0 none</td> <td>C O I</td> <td>F - O =</td> </tr> <tr> <td>A •</td> <td>D - =</td> <td>G I O II</td> </tr> <tr> <td>B O -</td> <td>E I II</td> <td>H ON OFF</td> </tr> </table>											0 none	C O I	F - O =	A •	D - =	G I O II	B O -	E I II	H ON OFF												
0 none	C O I	F - O =																														
A •	D - =	G I O II																														
B O -	E I II	H ON OFF																														
Legend color	<table border="0"> <tr> <td>0 none</td> <td>B black</td> <td>G green</td> <td>R red</td> <td>W white</td> </tr> </table>											0 none	B black	G green	R red	W white																
0 none	B black	G green	R red	W white																												

PRB Series, Power Rocker, 13.8 x 27.6mm Panel Cut-out (Continued)

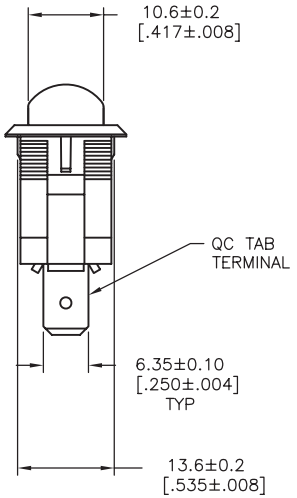
Panel cutout size



B 13.8 x 27.6 mm panel cutout



Type PRBSA1-16F-BB000 shown.
Request/consult customer drawings for other options



Function



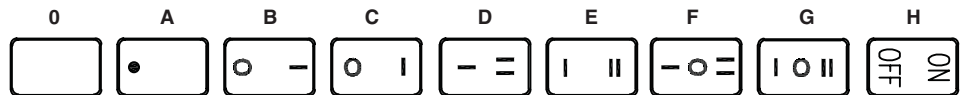
Function	▲	▲	▲	▲	▲	▲
A1	On	None	Off	1-2	-	-
A2	On	None	Off	1-2	-	-
B1	On	None	Off	1-2	-	-
B3	On	None	Off	1-2	-	-
C1	On	None	Off	1-2	-	-
C2	(On)	None	Off	1-2	-	-
D1	On	None	On	1-2	-	2-3
D2	On	None	(On)	1-2	-	2-3
D3	On	Off	On	1-2	Off	2-3
D5	(On)	Off	(On)	1-2	Off	2-3

Off indicates a mechanical position with no electrical connection
(On) indicates momentary connection
None indicates no mechanical position

Legend Pattern



Codes 0, A, B, C, D, E, F, G, H



PRB Series, Power Rocker, 13.8 x 27.6mm Panel Cut-out (Continued)

Product key	Panel cut-out	Poles	Switch function	Power rating	Terminal	Frame	Rocker color	2nd R. color	Legend	Legend color	Part Number
PRBSA1-16F-BB000	13.8	single	ON-NONE-OFF	16 A	quick	black	black	none	none	none	1571091-1
PRBSA1-16F-BB0BW	x	pole		@	connect				O -	white	1571091-2
PRBSA1-16F-BB0CW	27.6 mm			125 VAC	6.3 (.250)				O I		1571091-3
PRBSA1-16F-BB0HW				10 A					ON OFF		1571091-9
PRBSA1-16F-BR000				@			red		none	none	5-1571091-7
PRBSA1-16F-BR0HW				250 VAC					ON OFF	white	6-1571091-0
PRBSA1-16F-BW000							white		none	none	1-1571091-1
PRBSA1-16F-BW0HB									ON OFF	black	1-1571091-2
PRBSA1-16L-BB000					solder		black		none	none	1571091-4
PRBSA1-16L-BB0BW					lug				O -	white	1571091-5
PRBSA1-16L-BB0CW									O I		1571091-6
PRBSA1-16L-BR000							red		none	none	5-1571091-8
PRBSA2-16F-BBRAR					quick		black	red	•	red	5-1571131-1
PRBSB1-16F-BA000					connect		amber	none	none	none	1571092-3
PRBSB1-16F-BC000					6.3 (.250)		clear				1571092-4
PRBSB1-16F-BR000							red				1571092-1
PRBSC1-16F-BBR00							black	red			1571087-1
PRBSC1-16L-BBR00					solder lg.						1571087-2
PRBSD1-16F-BB000			ON-NONE-ON		quick			none			1571094-1
PRBSD1-16F-BB0DW					connect				- =	white	1571094-2
PRBSD1-16F-BB0EW					6.3 (.250)				I II		1571094-3
PRBSD3-16F-BB000			ON-OFF-ON						none	none	1571094-4
PRBSD3-16F-BB0FW									- O =	white	1571094-5
PRBSD3-16F-BB0GW									I O II		1571094-6
PRBSD3-16F-BW000							white		none	none	1571094-7

Power Rocker Switches

PRC Series, Power Rocker, 21.2 x 36.6mm Panel Cut-out, IP66

Features

- Easy snap-in mounting
- Single & double pole options
- Different colors
- Wide range of marking options and functions available
- Degree of protection: IP66



Typical performance characteristics

Number of poles 1 or 2
 Switch functions (ON)-OFF-(ON), ON-OFF, (ON)-OFF, ON-ON
 ON-OFF-ON, ON-OFF-(ON)
 Contact rating 20 A @125 VAC, 10 A @250 VAC,
 12 A @ 125 VAC, 3/4hp/10 A @ 277 VAC. 3/4 hp
 Electrical life >6,000 cycles
 Mechanical life >100,000 cycles
 Contact resistance max 100 mOhm
 Insulation resistance min 100 MOhm
 Dielectric strength >1,000 VAC for 1 min
 Actuation force 3.9 N - 11.7 N
 Panel cut-out 21.2 x 36.6 mm
 Standards and specs UL
 Approvals UL-E46765

Environmental specification

Operating temperature -20 to +85 °C
 Vibration resistance 1,5 mm 10-55 Hz
 Terminal strength 66 N - 88 N

Material specifications

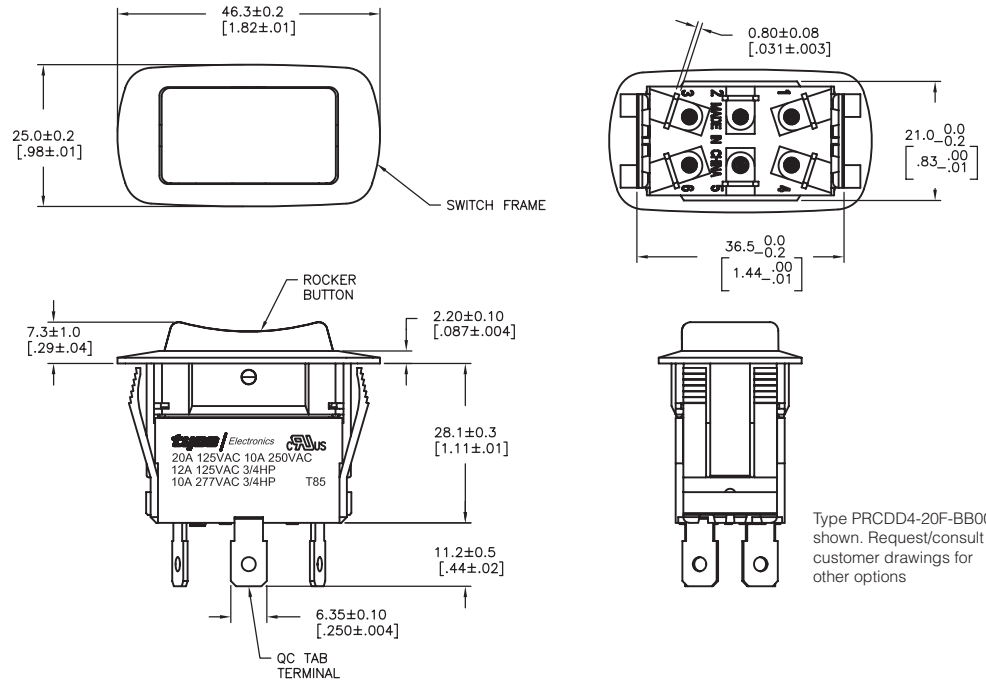
Contacts silver-tin oxide
 Terminals copper alloy
 Actuator nylon 66
 Housing & frame nylon 66
 Plunger prenilic
 RoHS compliance compliant

Product key	Typical product key											PR	C	D	A1	-20	F	-B	B	0	0	0						
Type	Power rocker switch																											
Panel cut-out size	21.2 x 36.6 mm																											
Number of poles	S single pole					D double pole																						
Switch function	A1 ON-OFF; opaque, single-color rocker					D2 ON-(ON); opaque, single-color rocker																						
	A3 (ON)-OFF; opaque, single-color rocker					D3 ON-OFF-ON; opaque, single-color rocker																						
	A4 ON-(OFF); opaque, single-color rocker					D4 ON-OFF-(ON); opaque, single-color rocker																						
	D1 ON-ON; opaque, single-color rocker					D5 (ON)-OFF-(ON); opaque, single-color rocker																						
Power rating	20 20 A @ 125 VAC, 10 A @ 250 VAC, 12 A @ 125 VAC 3/4 hp, 10 A @ 250 VAC 3/4 hp																											
Terminal type	F quick connect			L solder lug			S screw 6-32																					
Frame color	B black					W white																						
Rocker color	B black			R red			W white																					
	G green			Y yellow																								
2nd Rocker color	0 none																											
Legend pattern	0 none			C O I			F - O =																					
	A •			D - =			G I O II																					
	B O -			E I II																								
Legend color	0 none			B black			G green			R red			W white															

PRC Series, Power Rocker, 21.2 x 36.6mm Panel Cut-out, IP66 (Continued)

Panel cutout size

C 21.2 x 36.6 mm panel cutout



Type PRCCD4-20F-BB000 shown. Request/consult customer drawings for other options

Power Rocker Switches

Function

Fct.	Poles	▲	▲	▲	▲	▲	▲
A1	1	On	None	Off	2-3	-	-
A3	1	(On)	None	Off	2-3	-	-
A4	1	On	None	(Off)	2-3	-	-
D1	1	On	None	On	2-3	-	-
D2	1	On	None	(On)	2-3	-	-
D3	1	On	Off	On	2-3	Off	1-2
D4	1	On	Off	(On)	2-3	Off	1-2
D5	1	(On)	Off	(On)	2-3	Off	1-2
A1	2	On	None	Off	2-3, 5-6	-	-
A3	2	(On)	None	Off	2-3, 5-6	-	-
A4	2	On	None	(Off)	2-3, 5-6	-	-
D1	2	On	None	On	2-3, 5-6	-	-
D2	2	On	None	(On)	2-3, 5-6	-	-
D3	2	On	Off	On	2-3, 5-6	Off	1-2, 4-5
D4	2	On	Off	(On)	2-3, 5-6	Off	1-2, 4-5
D5	2	(On)	Off	(On)	2-3, 5-6	Off	1-2, 4-5

Off indicates a mechanical position with no electrical connection
 (On) indicates momentary connection
 None indicates no mechanical position

Legend Pattern

Codes 0, A, B, C, D, E, F, G



PRC Series, Power Rocker, 21.2 x 36.6mm Panel Cut-out (Continued)

Product key	Panel cut-out	Poles	Switch function	Power rating	Terminal	Frame	Rocker color	2nd R. color	Legend	Legend color	Part Number
PRCDA1-20F-BB000	21.2 x 36.6 mm	double pole	ON-NONE-OFF	20 A @ 125 VAC	quick connect 6.3 (.250)	black	black	none	none	none	1571102-1
PRCDA1-20F-BB0BW											O –
PRCDA1-20F-BB0CW									O I		1571102-3
PRCDA1-20F-BR000				10 A @ 250 VAC	solder lug		red		none	none	1571102-7
PRCDA1-20L-BB000						black			O –	white	1571102-4
PRCDA1-20L-BB0BW									O I		1571102-5
PRCDA1-20L-BB0CW											1571102-6
PRCDA1-20L-BR000							red		none	none	1571102-8
PRCDA1-20S-BB000					screw 6-32 UNC		black				1571102-9
PRCDA1-20S-BB0BW								O –	white	1-1571102-0	
PRCDA1-20S-BB0CW								O I			1-1571102-1
PRCDD1-20F-BB000			ON-NONE-ON		quick connect 6.3 (.250)				none	none	1571099-1
PRCDD1-20F-BB0DW									– =	white	1571099-2
PRCDD1-20F-BB0EW									I II		1571099-3
PRCDD1-20S-BB000					screw 6-32 UNC				none	none	1-1571099-0
PRCDD1-20S-BB0DW									– =	white	1-1571099-1
PRCDD1-20S-BB0EW									I II		1-1571099-2
PRCDD3-20F-BB000			ON-OFF-ON		quick connect 6.3 (.250)				none	none	1571099-4
PRCDD3-20F-BB0FW									– O =	white	1571099-5
PRCDD3-20F-BB0GW									I O II		1571099-6
PRCDD4-20F-BB000			ON-OFF-(ON)						none	none	1571099-7
PRCDD4-20F-BB0FW									– O =	white	1571099-8
PRCDD4-20F-BB0GW									I O II		1571099-9
PRCDD5-20F-BB000			(ON)-OFF-(ON)						none	none	1-1571099-3
PRCSA1-20F-BB000		single pole	ON-NONE-OFF								1571095-1
PRCSA1-20F-BB0BW				O –	white	1571095-2					
PRCSA1-20F-BB0CW									O I		1571095-3
PRCSA1-20F-BR000					solder lug		red		none	none	1571095-7
PRCSA1-20L-BB000						black			O –	white	1571095-4
PRCSA1-20L-BB0BW									O I		1571095-5
PRCSA1-20L-BB0CW											1571095-6
PRCSA1-20L-BR000							red		none	none	1571095-8
PRCSA1-20S-BB000					screw 6-32 UNC		black				1571095-9
PRCSA1-20S-BB0BW								O –	white	1-1571095-0	
PRCSA1-20S-BB0CW								O I			1-1571095-1
PRCSD1-20F-BB000			ON-NONE-ON		quick connect 6.3 (.250)				none	none	1571100-1
PRCSD1-20F-BB0DW									– =	white	1571100-2
PRCSD1-20F-BB0EW									I II		1571100-3
PRCSD1-20S-BB000					screw 6-32 UNC				none	none	1-1571100-0
PRCSD1-20S-BB0DW									– =	white	1-1571100-1
PRCSD1-20S-BB0EW									I II		1-1571100-2
PRCSD3-20F-BB000			ON-OFF-ON		quick connect 6.3 (.250)				none	none	1571100-4
PRCSD3-20F-BB0FW									– O =	white	1571100-5
PRCSD3-20F-BB0GW									I O II		1571100-6
PRCSD4-20F-BB000			ON-OFF-(ON)						none	none	1571100-7
PRCSD4-20F-BB0FW									– O =	white	1571100-8
PRCSD4-20F-BB0GW									I O II		1571100-9

Preferred parts in bold print

PRD Series, Power Rocker, 25.4 x 27.6mm Panel Cut-out

Features

- Easy snap-in mounting
- Double pole
- Full illuminated rocker option
- Different colors
- Wide range of marking options and functions available
- Degree of protection: IP40



Typical performance characteristics

Number of poles	2
Switch functions	ON-OFF, ON-ON, ON-OFF-ON
Contact rating	10 A @250 VAC, 16 A @125 VAC
	UL: 16 A @ 125 VAC, 1/3hp; 10 A @ 250 VAC, 1/2 hp
	VDE/ENEC: 10(4) A @ 250 VAC
Electrical life	>6,000 cycles
Mechanical life	>100,000 cycles
Contact resistance	max 50 mOhm
Insulation resistance	min 100 MOhm
Dielectric strength	>1,000 VAC for 1 min
Actuation force	8,3 N - 12,2 N
Panel cut-out	25,4 x 27,6 mm
Standards and specs	VDE/ENEC
Approvals	UL-E46765, VDE/ENEC-40020317

Environmental specification

Operating temperature	-20 to +85°C
Vibration resistance	1,5 mm 10-55 Hz
Terminal strength	98 N

Material specifications

Contacts	silver-tin oxide
Terminals	silver plated copper alloy
Actuator	nylon 66 / PC (illuminated)
Housing & frame	nylon 66
Plunger	nickel plated copper alloy
RoHS compliance	compliant

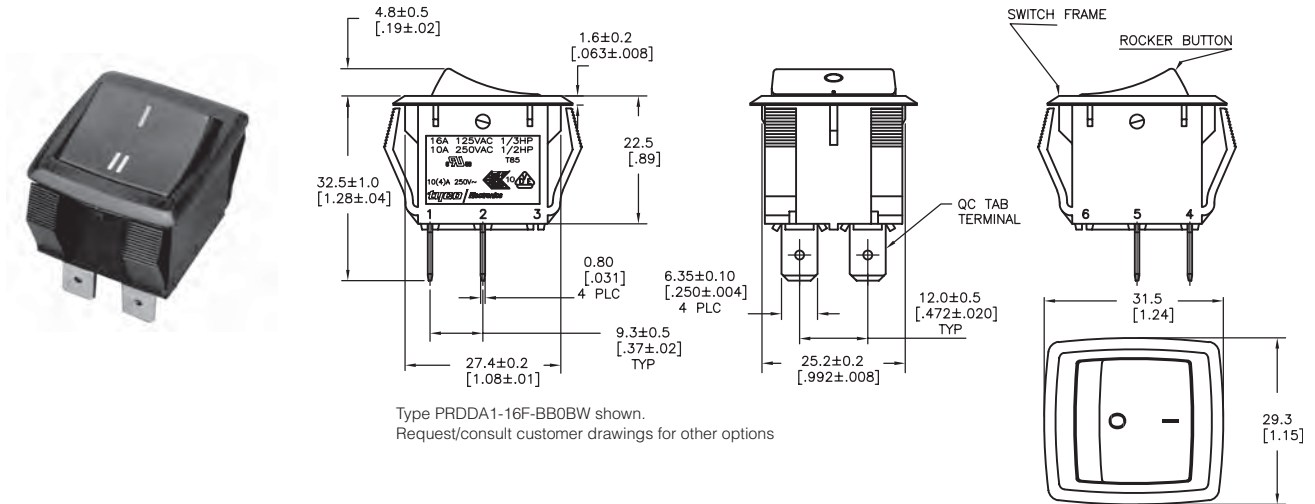
Power Rocker Switches

Product key	Typical product key PR D D A1 -16 F -B B 0 0 0										
Type	PR Power rocker switch										
Panel cut-out size	D 25.4 x 27.6 mm										
Number of poles	D double pole										
Switch function	A1 ON-OFF; opaque, single-color rocker			D1 ON-ON; opaque, single-color rocker							
	B1 ON-OFF; transparent, 100-125 V lamp			D3 ON-OFF-ON; opaque, single-color rocker							
	B3 ON-OFF; transparent, 200-250 V lamp										
Power rating	16 16 A @ 125 VAC 1/3 hp, 10 A @ 250 VAC 1/2 hp, 10(4) A @ 250 VAC										
Terminal type	F quick connect										
Frame color	B black		W white								
Rocker color	A amber	C clear	R red								
	B black	G green	W white								
2nd Rocker color	0 none										
Legend pattern	0 none	C O I	F - O =								
	A •	D - =	G I O II								
	B O -	E I II	H ON OFF								
Legend color	0 none	B black	G green	R red	W white						

PRD Series, Power Rocker, 25.4 x 27.6mm Panel Cut-out (Continued)

Panel cutout size

D 25.4 x 27.6 mm panel cutout



Function



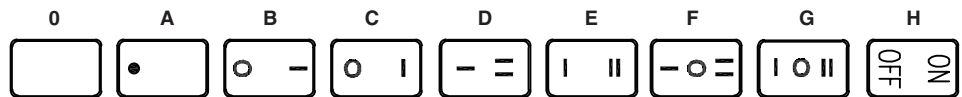
Function	▲	▲	▲	▲	▲	▲
A1	On	None	Off	1-2, 4-5	-	-
B1	On	None	Off	1-2, 4-5	-	-
B3	On	None	Off	1-2, 4-5	-	-
D1	On	None	On	1-2, 4-5	-	2-3, 5-6
D3	On	Off	On	1-2, 4-5	Off	2-3, 5-6

Off indicates a mechanical position with no electrical connection
 (On) indicates momentary connection
 None indicates no mechanical position

Legend Pattern



Codes 0, A, B, C, D, E, F, G, H



Product key	Panel cut-out	Poles	Switch function	Power rating	Terminal	Frame	Rocker color	2nd R. color	Legend	Legend color	Part Number
PRDDA1-16F-BB000	25.4	double	ON-NONE-OFF	16 A	quick	black	black	none	none	none	1571103-1
PRDDA1-16F-BB0BW	x	pole		@	connect				O -	white	1571103-2
PRDDA1-16F-BB0CW	27.6 mm			125 VAC	6.3 (.250)				O I		1571103-3
PRDDA1-16F-BB0HW				10 A					ON OFF		1571103-5
PRDDA1-16F-BR000				@			red		none	none	5-1571103-4
PRDDA1-16F-BR0HW				250 VAC					ON OFF	white	5-1571103-6
PRDDB1-16F-BA000							amber		none	none	1571112-2
PRDDB1-16F-BR000							red				1571112-1
PRDDD1-16F-BB000			ON-NONE-ON				black				1571113-1
PRDDD1-16F-BB0DW									- =	white	1571113-2
PRDDD1-16F-BB0EW									I II		1571113-3
PRDDD3-16F-BB000			ON-OFF-ON						none	none	1571113-4
PRDDD3-16F-BB0FW									- O =	white	1571113-5
PRDDD3-16F-BB0GW									I O II		1571113-6
PRDDD3-16F-BR000							red		none	none	5-1571113-7

PRE Series, Power Rocker, 19.4 x 22.2mm Panel Cut-out

Features

- Easy snap-in mounting
- Double pole
- Full illuminated rocker option
- Different colors
- Wide range of marking options and functions available
- Dust resistant



Typical performance characteristics

Number of poles	2
Switch functions	ON-OFF, ON-ON ON-OFF-ON, ON-OFF-(ON), (ON)-OFF-(ON)
Contact rating	6 A @250 VAC, 10 A @ 125 VAC
Inrush current	6 A @ 250 VAC, 10 A @ 125 VAC
Electrical life	10,000 cycles
Mechanical life	100,000 cycles
Contact resistance	max 50 mOhm
Insulation resistance	min 100 MOhm
Dielectric strength	1,500 VAC for 1 min
Actuation force	4.5±1.5 N
Panel cut-out	19.4 x 22.2 mm
Standards and specs	UL, CSA, VDE, ENEC
Approvals	UL-E46765; VDE/ENEC-40006757; CSA-219402

Environmental specification

Operating temperature	-20 to +85°C
Storage temperature	-20 to +85°C
Vibration resistance	4 mm, 5-55 Hz
Terminal strength	solder lugs: 50 N, quick connect terminals: 90 N

Material specifications

Contacts	cooper alloy silver finish
Terminals	silver plated cooper alloy
Actuator	nylon 66 / PC (illuminated)
Housing & frame	nylon 66
Plunger	nickel plated cooper alloy
RoHS compliance	compliant

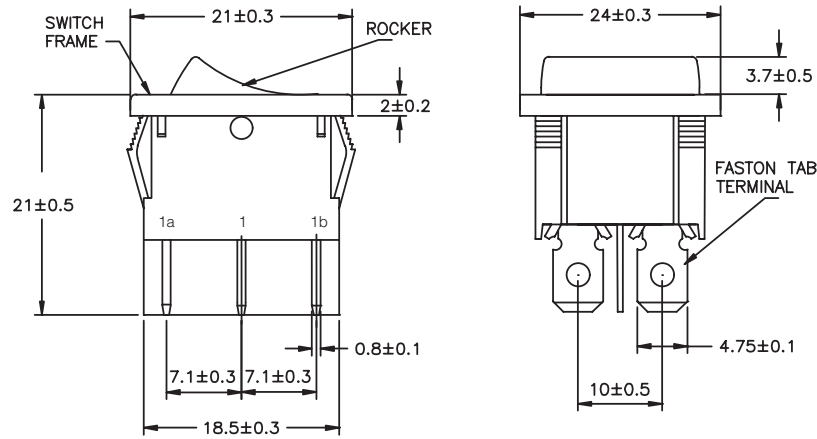
Power Rocker Switches

Product key	Typical product key										
	PR	E	D	A1	-07	F	-B	B	0	0	0
Type	Power rocker switch										
Panel cut-out size	19.4 x 22.2 mm										
Number of poles	double pole										
Switch function	A1 ON-OFF; opaque			D3 ON-OFF-ON; opaque							
	B1 ON-OFF; transparent, lamp-illuminated			D4 ON-OFF-(ON); opaque							
	D1 ON-ON; opaque			D5 (ON)-OFF-(ON); opaque							
Power rating	6 A @ 250 VAC, 10 A @ 125 VAC										
Terminal type	F quick connect terminal					L solder lug					
Frame color	B black			W white							
Rocker color	B black		R red								
	G green		W white								
2nd Rocker color	0 none		B black		R red						
			G green		W white						
Legend pattern	0 none		B O -		E - -						
			C O I		F I O II						
			D I II		G - O =						
Legend color	0 none		B black		R red						
			G green		W white						

PRE Series, Power Rocker, 19.4 x 22.2mm Panel Cut-out (Continued)

Panel cutout size

E 19.4 x 22.2 mm panel cutout



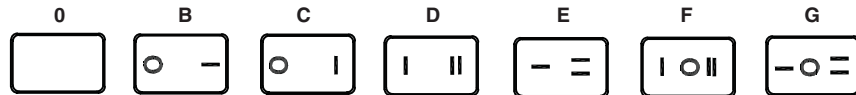
Function

Function	▲	▲	▲	▲	▲	▲
A1	On	None	Off	1a-1, 2a-2	-	-
B1	On	None	Off	1a-1, 2a-2	-	-
D1	On	None	On	1a-1, 2a-2	-	1-1b, 2-2b
D3	On	Off	On	1a-1, 2a-2	Off	1-1b, 2-2b
D4	On	Off	(On)	1a-1, 2a-2	Off	1-1b, 2-2b
D5	(On)	Off	(On)	1a-1, 2a-2	Off	1-1b, 2-2b

Off indicates a mechanical position with no electrical connection
 (On) indicates momentary connection
 None indicates no mechanical position

Legend Pattern

Codes 0, B, C, D, E, F, G



Product key	Panel cut-out	Poles	Switch function	Power rating	Terminal	Frame	Rocker color	2nd R. color	Legend	Legend color	Part Number
PREDA1-07F-BB000	19.4 x 22.2 mm	double pole	ON-OFF opaque	6 A @ 250 VAC	quick connect	black	black	none	none	none	1634200-1
10 A @ 125 VAC				solder lug	O -				white	1634200-2	
PREDA1-07F-BB0BW									O		1634200-3
PREDA1-07L-BB000									none	none	1634200-4
PREDA1-07L-BB0BW									O -	white	1634200-5
PREDA1-07L-BB0CW									O		1634200-6
PREDB1-07F-BR000			ON-OFF transparent with lamp		quick c.				none	none	1634200-7
PREDB1-07L-BR000					solder l.						
PREDB1-07F-BG000					quick c.						1634200-9
PREDB1-07L-BG000					solder l.						1-1634200-0
PREDD1-07F-BB000			ON-ON opaque		quick connect					white	1-1634200-1
PREDD1-07F-BB0DW									- =		1-1634200-2
PREDD1-07F-BB0EW											1-1634200-3
PREDD1-07L-BB000					solder lug				none	none	1-1634200-4
PREDD1-07L-BB0DW										white	1-1634200-5
PREDD1-07L-BB0EW									- =		1-1634200-6
PREDD3-07F-BB0FW			ON-OFF-ON opaque		quick connect				O		1-1634200-7
PREDD3-07F-BB0GW									- O =		1-1634200-8
PREDD3-07L-BB0FW					solder lug				O		1-1634200-9
PREDD3-07L-BB0GW									- O =		2-1634200-0
PREDD4-07F-BB000			ON-OFF-(ON) opaque		quick connect				none	none	2-1634200-1
PREDD4-07F-BB0FW									O	white	2-1634200-2
PREDD4-07F-BB0GW									- O =		2-1634200-3
PREDD5-07F-BB000			(ON)-OFF-(ON) opaque						none	none	2-1634200-4
PREDD5-07F-BB0FW									O	white	2-1634200-5
PREDD5-07F-BB0GW									- O =		2-1634200-6

Preferred parts in bold print

PRF Series, Power Rocker, 22.2 x 30.2mm Panel Cut-out

Features

- Easy snap-in mounting
- Double pole
- Full illuminated rocker option
- Different colors
- Wide range of marking options and functions available
- Dust resistant



Typical performance characteristics

Number of poles	2
Switch functions	ON-OFF, ON-ON, ON-OFF-ON
Contact rating	10 A @250 VAC
Inrush current	10 A
Electrical life	6,000 cycles
Mechanical life	100,000 cycles
Contact resistance	max 50 mOhm
Insulation resistance	min 100 MOhm
Dielectric strength	1,500 VAC for 1 min
Actuation force	6.0±1.5 N
Panel cut-out	22.2 x 30.2 mm
Standards and specs	UL, CSA, VDE, ENEC
Approvals	UL-E46765; VDE/ENEC-40006757; CSA-219402

Environmental specification

Operating temperature	-20 to +85°C
Storage temperature	-20 to +85°C
Vibration resistance	4 mm, 5-55 Hz
Terminal strength	90 N

Material specifications

Contacts	cooper alloy silver finish
Terminals	silver plated cooper alloy
Actuator	nylon 66 / PC (illuminated)
Housing & frame	nylon 66
Plunger	nickel plated cooper alloy
RoHS compliance	compliant

Power Rocker Switches

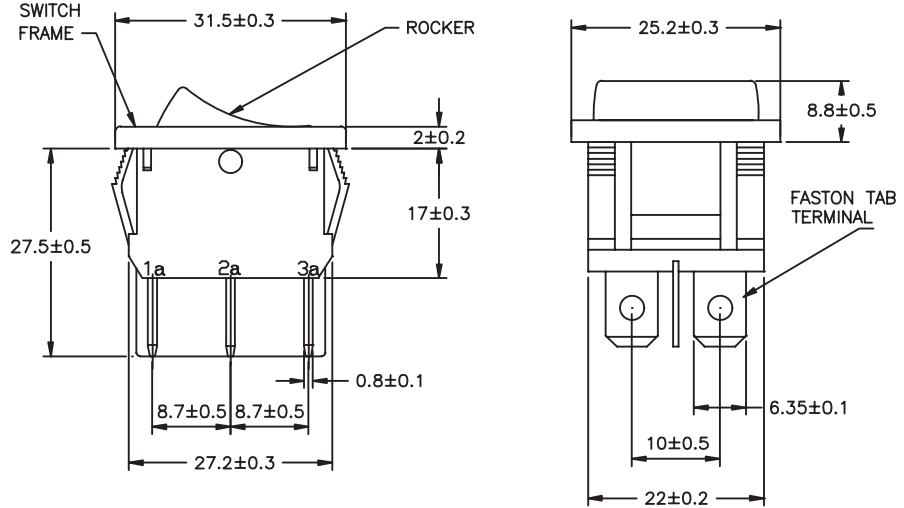
Product key		Typical product key										
		PR	F	D	A1	-16	F	-B	B	0	0	0
Type	PR Power rocker switch											
Panel cut-out size	F 22.2 x 30.2 mm											
Number of poles	D double pole											
Switch function	A1 ON-OFF; opaque B1 ON-OFF; transparent, lamp-illuminated	D1 ON-ON; opaque D3 ON-OFF-ON; opaque										
Power rating	16 10 A @ 250 VAC, 16 A @ 125 VAC											
Terminal type	F quick connect terminal											
Frame color	B black W white											
Rocker color	B black G green R red Y yellow											
2nd Rocker color	0 none B black G green R red W white											
Legend pattern	0 none B O – C O I D I II E – = G – O =											
Legend color	0 none B black G green R red W white											

PRF Series, Power Rocker, 22.2 x 30.2mm Panel Cut-out (Continued)

Panel cutout size



F 22.2 x 30.2 mm panel cutout



Function



Function	▲	▲	▲	▲	▲	▲
A1	On	None	Off	1a-2a, 1b-2b	-	-
B1	On	None	Off	1a-2a, 1b-2b	-	-
D1	On	None	On	1a-2a, 1b-2b	-	2a-3a, 2b-3b
D3	On	Off	On	1a-2a, 1b-2b	Off	2a-3a, 2b-3b

Off indicates a mechanical position with no electrical connection
 (On) indicates momentary connection
 None indicates no mechanical position

Legend Pattern



Codes 0, B, C, D, E, G



Product key	Panel	Poles	Switch	Power	Terminal	Frame	Rocker	2nd R.	Legend	Legend	Part Number
PRFDA1-16F-BB000	22.2	double	ON-OFF	10 A	quick	black	black	none	none	none	1634201-1
PRFDA1-16F-BB0BW	x	pole	opaque	@	connect				O -	white	1634201-2
PRFDA1-16F-BB0CW	30.2 mm			250 VAC	terminal				O I		1634201-3
PRFDB1-16F-BR000			ON-OFF	16 A			red		none	none	1634201-4
PRFDB1-16F-BG000			transparent	@			green				1634201-5
PRFDB1-16F-BY000			with lamp	125 VAC			yellow				1634201-6
PRFDD1-16F-BB000			ON-ON				black				1634201-7
PRFDD1-16F-BB0DW			opaque								1634201-8
PRFDD1-16F-BB0EW											1634201-9
PRFDD3-16F-BB000			ON-OFF-ON								1-1634201-0
PRFDD3-16F-BB0EW			opaque								1-1634201-1
PRFDD3-16F-BB0GW									- O =	white	1-1634201-2

Preferred parts in bold print

PRG Series, Power Rocker, 11.2 x 30.2mm Panel Cut-out

Features

- Easy snap-in mounting
- Single pole
- Full illuminated rocker option
- Different colors
- Dust resistant



Typical performance characteristics

Number of poles	1
Switch functions	ON-OFF
Contact rating	10 A @250 VAC
Inrush current	10 A
Electrical life	10,000 cycles
Mechanical life	100,000 cycles
Contact resistance	max 50 mOhm
Insulation resistance	min 100 MOhm
Dielectric strength	1,500 VAC for 1 min
Actuation force	4.5±1.5 N
Panel cut-out	11,2 x 30,2 mm
Standards and specs	UL, CSA, VDE, ENEC
Approvals	UL-E46765; VDE/ENEC-40006757; CSA-219402

Environmental specification

Operating temperature	-20 to +85°C
Storage temperature	-20 to +85°C
Vibration resistance	4 mm, 5-55 Hz
Terminal strength	90 N

Material specifications

Contacts	cooper alloy silver finish
Terminals	silver plated cooper alloy
Actuator	nylon 66 / PC (Illuminated)
Housing & frame	nylon 66
Plunger	nickel plated cooper alloy
RoHS compliance	compliant

Power Rocker Switches

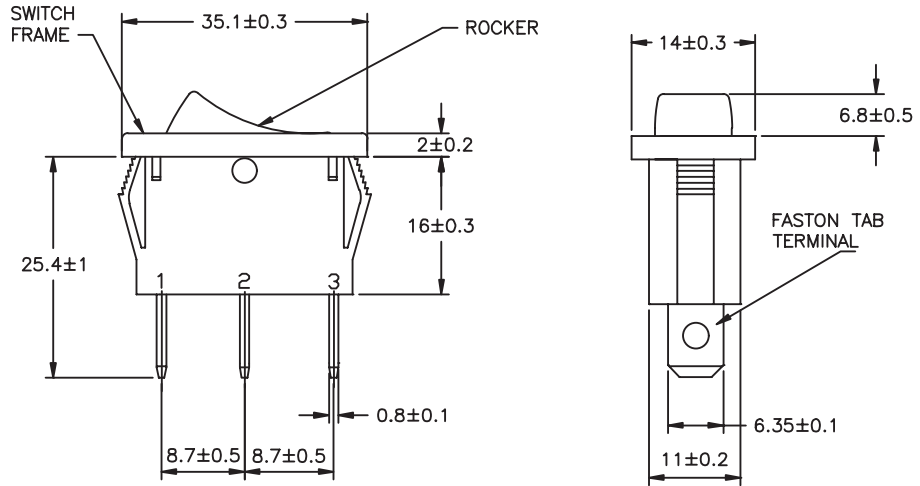
Product key	Typical product key											
	PR	G	S	A1	-16	F	-B	B	0	0	0	
Type	PR Power rocker switch											
Panel cut-out size	G 11.2 x 30.2 mm											
Number of poles	S single pole											
Switch function	A1 ON-OFF; opaque			B1 ON-OFF; transparent, lamp-illuminated								
Power rating	16 10 A @ 250 VAC, 16 A @ 125 VAC											
Terminal type	F quick connect terminal											
Frame color	B black						W white					
Rocker color	B black			R red			G green			Y yellow		
2nd Rocker color	0 none			B black green			R red white			G green		
Legend pattern	0 none			A •			B O -					
Legend color	0 none			B black			R red			G green		
				W white								

PRG Series, Power Rocker, 11.2 x 30.2mm Panel Cut-out (Continued)

Panel cutout size



G 11.2 x 30.2 mm panel cutout



Function



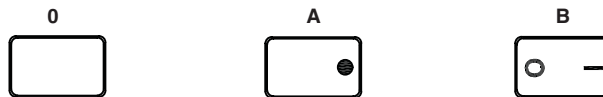
Function	▲	▲	▲	▲
A1	On	Off	1-2	-
B1	On	Off	1-2	-

Off indicates a mechanical position with no electrical connection
 (On) indicates momentary connection
 None indicates no mechanical position

Legend Pattern



Codes 0, A, B



Product key	Panel	Poles	Switch	Power	Terminal	Frame	Rocker	2nd R.	Legend	Legend	Part Number
PRGSA1-16F-BB000	11.2	single	ON-OFF	10 A	quick	black	black	none	none	none	1634202-1
PRGSA1-16F-BB0AW	x	pole	opaque	@	connect				•	white	1634202-2
PRGSA1-16F-BB0BW	30.2 mm			250 VAC					O -		1634202-3
PRGSA1-16F-BR000				16 A			red		none	none	1634202-4
PRGSB1-16F-BR000			ON-OFF	@							1634202-5
PRGSB1-16F-BG000			trans.w. lamp	125 VAC			green				1634202-6

Preferred parts in bold print

PRH Series, Power Rocker, 7.0 x 19.2mm Panel Cut-out

Features

- Easy snap-in mounting
- Single pole
- Different colors
- Wide range of marking options and functions available
- Degree of protection: IP40



Typical performance characteristics

Number of poles	1
Switch functions	(ON)-OFF, ON-OFF
Contact rating	UL: 8 A @125 VAC, 4 A @ 250 VAC, ENEC/FI: 6 A @ 250 VAC
Electrical life	>6,000 cycles
Mechanical life	>100,000 cycles
Contact resistance	max 50 mOhm
Insulation resistance	min 100 MOhm
Dielectric strength	>1,000 VAC for 1 min
Actuation force	0.98 N - 6.37 N
Panel cut-out	7.0 x 19.2 mm
Standards and specs	UL, ENEC/FI
Approvals	UL-E46765, ENEC FI:2003036/A1

Environmental specification

Operating temperature	-20 to +85°C
Vibration resistance	1.5 mm, 10-55 Hz
Terminal strength	98 N

Material specifications

Contacts	silver-tin oxide
Terminals	silver plated copper alloy
Actuator	nylon 66
Housing & frame	nylon 66
RoHS compliance	compliant

Power Rocker Switches

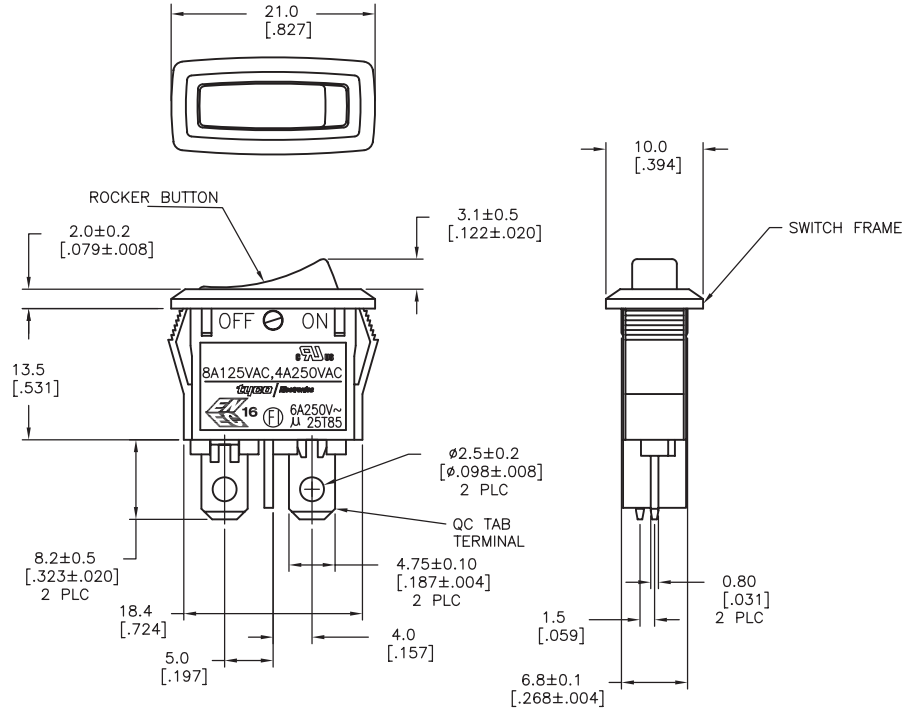
Product key	Typical product key											
	PR	H	S	A1	08	F	-B	B	0	0	0	
Type	PR Power rocker switch											
Panel cut-out size	H 7.0 x 19.2 mm											
Number of poles	S single pole											
Switch function	A1 ON-OFF; opaque, single-color rocker A3 (ON)-OFF; opaque, single-color rocker											
Power rating	08 8 A @ 125 VAC, 4 A @ 250 VAC											
Terminal type	F quick connect											
Frame color	B black W white											
Rocker color	B black G green R red W white											
2nd Rocker color	0 none B black G green R red W white											
Legend pattern	0 none B O - H ON OFF A • C O I											
Legend color	0 none B black G green R red W white											

PRH Series, Power Rocker, 7.0 x 19.2mm Panel Cut-out (Continued)

Panel cutout size



H 7.0 x 19.2 mm panel cutout



Function



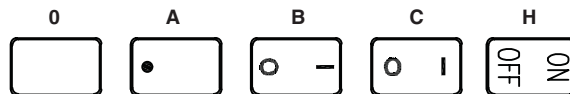
Function	▲	▲	▲	▲
A1	On	Off	1-2	-
A3	(On)	Off	1-2	-

Off indicates a mechanical position with no electrical connection
 (On) indicates momentary connection
 None indicates no mechanical position

Legend Pattern



Codes 0, A, B, C, H



Product key	Panel cut-out	Poles	Switch function	Power rating	Terminal	Frame	Rocker color	2nd R. color	Legend	Legend color	Part Number
PRHSA1-08F-BB000	7.0 x	single	ON-NONE-OFF	8A@125V	quick con.	black	black	none	none	none	1571500-1
PRHSA3-08F-BB000	19.2 mm	pole	(ON)-NONE-OFF	4A@250V	4.8 (.187)						1571500-2

