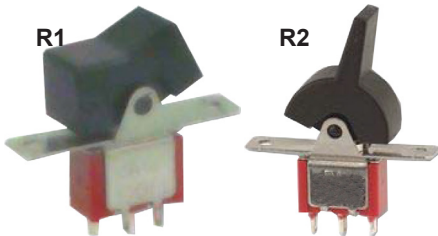


RoHS
Compliant



Specifications

Contact Rating	: 5A with resistant load at 120V AC or 28V DC 2A with resistant load at 250 V AC
Mechanical Life	: 50,000 make-and-break cycles
Max. Contact Resistance	: 10mΩ initial at 2 to 4V DC 100mA for silver plated contacts
Min. Insulation Resistance	: 1,000 MΩ
Dielectric Strength	: 1,000 Vrms at sea level
Operating Temperature	: -30°C to 85°C

Materials

Case	: Diallyl phthalate (DAP)
Actuator	: Nylon, black standard
Bushing	: Brass, nickel plated
Housing	: Stainless steel
Switch Support	: Brass, tin-plated
Terminal / Contact	: Brass with silver plated

Switch Function

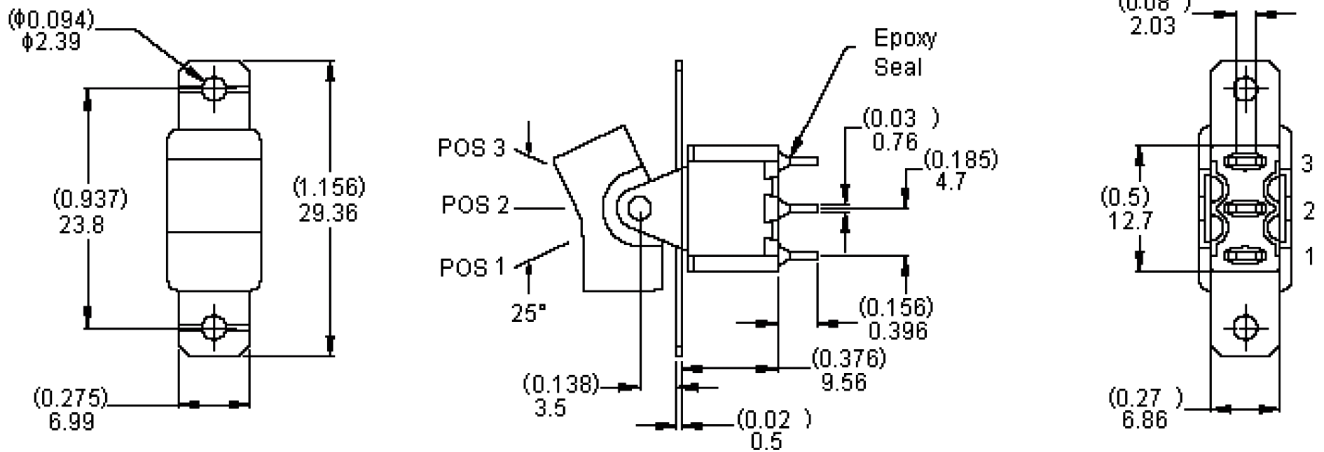
Number of Poles	Model Number	Switch Function			Connected Terminals/Schematic		
		Position 1	Position 2	Position 3	Position 1	Position 2	Position 3
SP	3MS1	On	None	On	2 - 3	N/A	2 - 1
	3MS2			MOM			
	3MS3	Off	MOM	On	1 • 2 (Comm) 3	Open	1 • 2 (Comm) 3
	3MS4			MOM			
	3MS5			On			
DP	3MD1	On	None	On	2 - 3, 5 - 6	N/A	2 - 1, 5 - 4
	3MD2			MOM			
	3MD3	Off	MOM	On	2 (Comm) 5	Open	1 • 2 (Comm) 3 4 • 5 6
	3MD4			MOM			
	3MD5			On			

MOM = Momentary

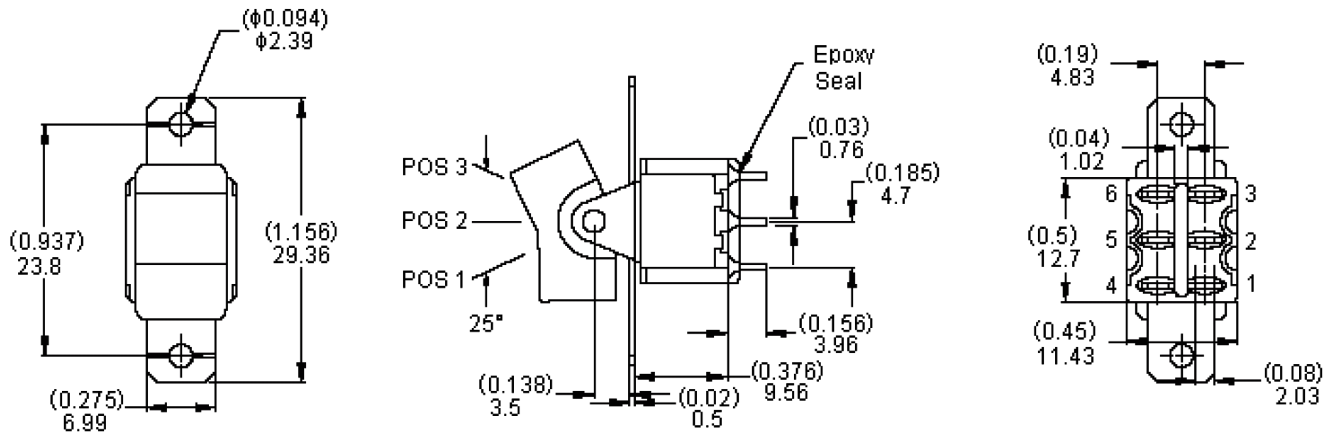
Rocker and Paddle Switches **multicomp**PRO

Pole Options

3MS1

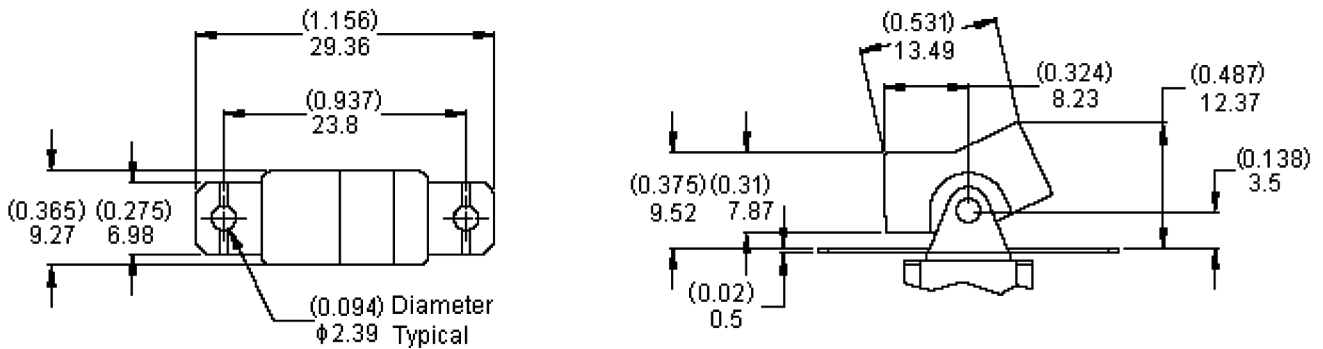


3MD1



Actuator Options for Panel Mount Only

R1

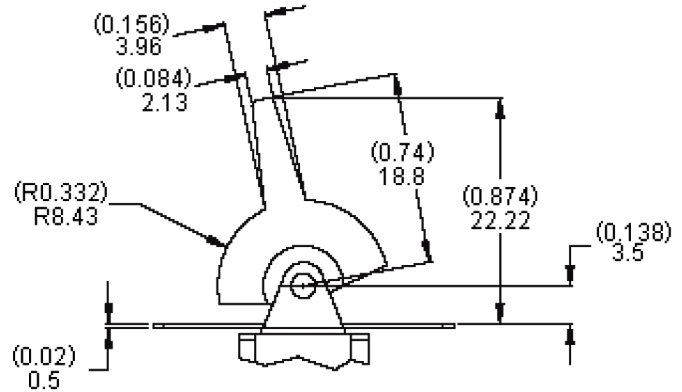
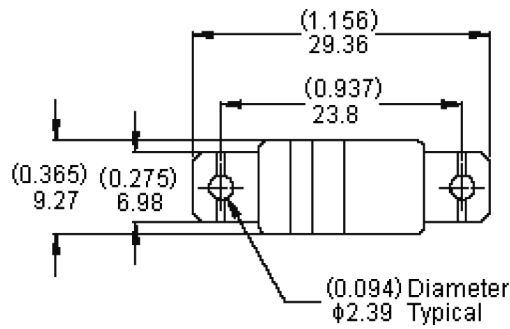


Dimensions : Millimetres (Inches)

Rocker and Paddle Switches **multicomp**PRO

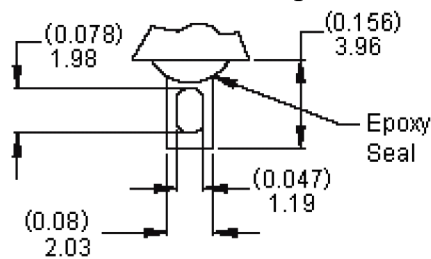
Actuator Options for Panel Mount Only

R2



Termination Options

M1 Solder Lug



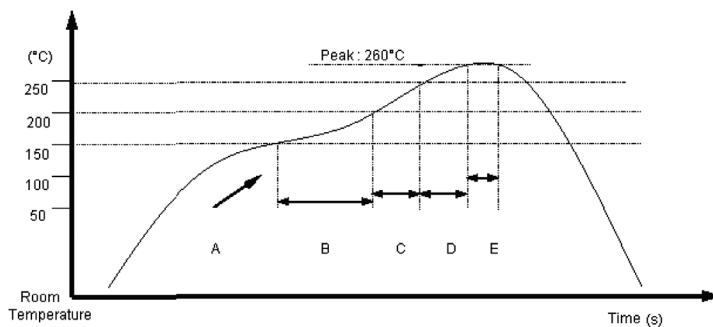
Thickness (0.030) 0.76

Dimensions : Millimetres (Inches)

Soldering Processes

- Manual soldering : Use soldering iron of 30 watts, controlled at 350°C approximately 5 seconds while applying solder
- Wave soldering : Recommended soldering temperature : 260 ±5°C
 Duration of solder immersion : 5 ±1 seconds (PCB is 1.6 mm in thickness)
- Soldering : Vapour phase

Temperature Profile

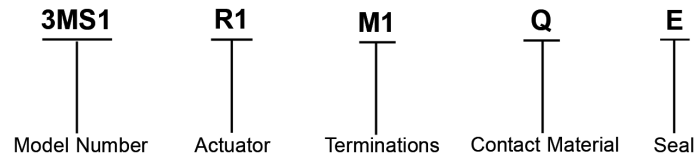


Zone	Room Temperature (°C)	Time (Seconds)
Pre-heat (A)	150	Minimum 120
Soak (B)	180 to 200	Minimum 150
Peak (C)	200 to 235	Minimum 30
Peak (D)	235 to 260	Minimum 40
Peak (E)	260	Maximum 10

Newark.com/multicomp-pro
 Farnell.com/multicomp-pro
 Element14.com/multicomp-pro

multicompPRO

Part Number Explanation



- Model Number : 3MS1 = SP On-None-On, 3MD1 = DP On-None-On, 3MS3 = SP On-Off-On, 3MS4 = SP MOM-Off-MOM, 3MS5 = SP On-Off-MOM, 3MS2 = SP On-None-MOM, 3MD3 = DP On-Off-On, 3MD4 = DP MOM-Off-MOM, 3MD5 = DP On-Off-MOM and 3MD2 = DP On-None-MOM
- Actuator : R1 = 13.49 Long Rocker - Support and R2 = Lever - Support
- Terminations : M1 = Solder Lug
- Contact Material : Q = Silver
- Seal : E = Epoxy (std)

Part Number Table

Description	Part Number
Switch, SPDT	3MS1R1M1QE
Switch, DPDT	3MD1R1M1QE
Switch, SPDT	3MS1R2M1QE
Switch, DPDT	3MD1R2M1QE
Switch Body, SPDT	3MS1M1QE
Switch Body, SPDT	3MS3M1QE
Switch Body, SPDT	3MS4M1QE
Switch Body, SPDT	3MS5M1QE
Switch Body, SPDT	3MS2M1QE
Switch Body, DPDT	3MD1M1QE
Switch Body, DPDT	3MD3M1QE
Switch Body, DPDT	3MD4M1QE
Switch Body, DPDT	3MD5M1QE
Switch Body, DPDT	3MD2M1QE

Important Notice : This data sheet and its contents (the "Information") belong to the members of the AVNET group of companies (the "Group") or are licensed to it. No licence is granted for the use of it other than for information purposes in connection with the products to which it relates. No licence of any intellectual property rights is granted. The Information is subject to change without notice and replaces all data sheets previously supplied. The Information supplied is believed to be accurate but the Group assumes no responsibility for its accuracy or completeness, any error in or omission from it or for any use made of it. Users of this data sheet should check for themselves the Information and the suitability of the products for their purpose and not make any assumptions based on information included or omitted. Liability for loss or damage resulting from any reliance on the Information or use of it (including liability resulting from negligence or where the Group was aware of the possibility of such loss or damage arising) is excluded. This will not operate to limit or restrict the Group's liability for death or personal injury resulting from its negligence. Multicomp Pro is the registered trademark of Premier Farnell Limited 2019.