

EEJ Series



UL Recognized
CSA Certified
VDE Approved

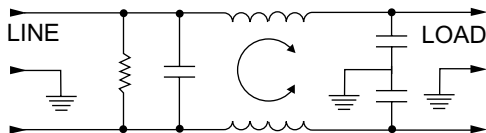


EEJ Series

The new EEJ series is the next generation of power inlet filters. The 1-15 amp versions are flange mounted and mechanically equivalent to the EEA/EEB series. The performance has been enhanced to meet the needs for more attenuation. The EEJ series also has an extended metal flange around the socket for improved high frequency EMI shielding as well as a larger contact area for the panel ground.

The EEJ series also includes a 20 amp version that uses the inlet IEC 320/C20. This product was designed to keep up with the demand for higher current equipment. Applications include higher current power supplies and computing equipment, which consist of work stations, base stations, servers, etc.

Electrical Schematic



Resistor location for reference only.

Specifications

Maximum leakage current, each line-to-ground
 @ 120 VAC 60 Hz: .22 mA
 @ 250 VAC 50 Hz: .38 mA

Hipot rating (one minute):
 line-to-ground 1500 VAC
 line-to-line 1450 VDC

Operating frequency: 50/60 Hz

Rated voltage (max.): 250 VAC

Minimum insertion loss in dB:

Line-to-ground in 50 ohm circuit

Current Rating	Frequency-MHz								
	.01	.05	.1	.15	.5	1	5	10	30
1A	15	27	29	32	41	47	47	47	40
3A	-	10	15	20	30	39	48	50	60
6A	-	1	5	9	21	28	41	44	54
10A	-	1	4	7	14	18	31	36	51
15A	-	-	-	2	5	8	21	26	42
20A	-	-	13	5	14	21	30	33	42

Line-to-line in 50 ohm circuit

Current Rating	Frequency-MHz								
	.01	.05	.1	.15	.5	1	5	10	30
1A	-	-	5	8	19	27	45	43	40
3A	-	-	5	8	17	20	39	42	40
6A	-	-	5	8	17	21	32	40	40
10A	-	-	5	8	17	21	23	36	38
15A	-	-	5	8	17	23	33	30	38
20A	-	-	5	2	17	25	38	48	48

Line Cord

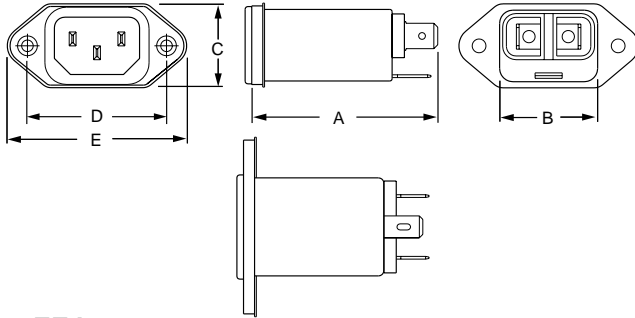
Line Cord No. GA400:

7 1/2 foot, 3-conductor line cord to mate with EF series.

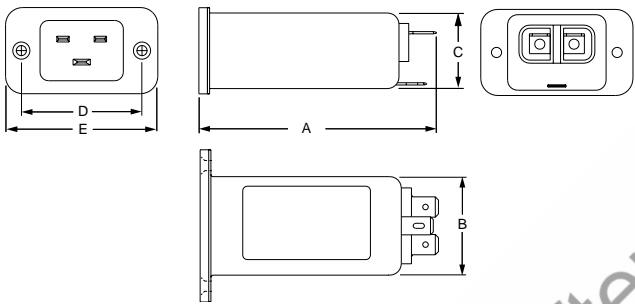
EEJ Series

Case Styles

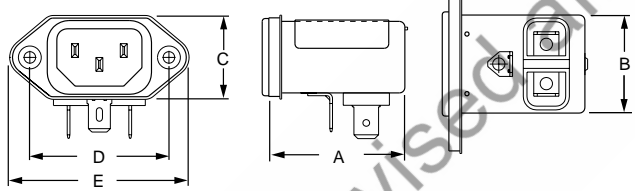
EEJ1



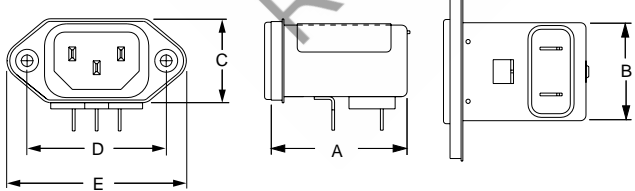
20EEJ1



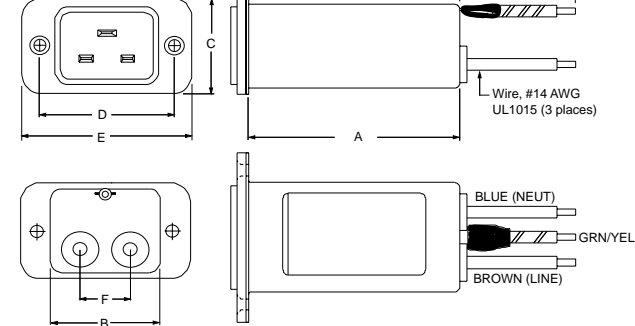
EEJ2



EEJP



20EEJ8



Case Dimensions

Part No.	A (max)	B (max)	C (max)	D $\pm .015$ $\pm .388$	E (max) (ref)	F
1EEJ1, 3EEJ1, 6EEJ1, 10EEJ1, 15EEJ1	2.15 <i>54.61</i>	1.13 <i>28.70</i>	0.96 <i>24.38</i>	1.580 <i>40.00</i>	2.04 <i>51.76</i>	—
20EEJ1	3.13 <i>79.38</i>	1.37 <i>34.79</i>	1.18 <i>29.99</i>	1.650 <i>42.01</i>	2.09 <i>53.00</i>	—
1EEJ2, 3EEJ2, 6EEJ2, 10EEJ2	1.54 <i>39.12</i>	1.13 <i>28.70</i>	0.96 <i>24.38</i>	1.580 <i>40.00</i>	2.04 <i>51.76</i>	—
15EEJ2	1.79 <i>45.47</i>	1.13 <i>28.70</i>	0.96 <i>24.38</i>	1.580 <i>40.00</i>	2.04 <i>51.76</i>	—
1EEJP, 3EEJP, 6EEJP	1.54 <i>39.12</i>	1.13 <i>28.70</i>	0.96 <i>24.38</i>	1.580 <i>40.00</i>	2.04 <i>51.76</i>	—
10EEJP, 15EEJP	1.79 <i>45.47</i>	1.13 <i>28.70</i>	0.96 <i>24.38</i>	1.580 <i>40.00</i>	2.04 <i>51.76</i>	—
20EEJ8	2.65 <i>67.31</i>	1.35 <i>34.29</i>	1.18 <i>29.99</i>	1.650 <i>42.01</i>	2.09 <i>53.00</i>	.62 <i>15.75</i>

Part Numbers

1EEJ1	10EEJ1
1EEJ2	10EEJ2
1EEJP	10EEJP
3EEJ1	15EEJ1
3EEJ2	15EEJ2
3EEJP	15EEJP
6EEJ1	20EEJ1*
6EEJ2	20EEJ8*
6EEJP	

Insulating Boot (1-15 Amp) FA601

*UL, CSA — 20 Amp; VDE — 16 Amp

Recommended Panel Cutouts

1 to 15A EEJ - all terminal types
Panel Thickness .031-.047 [.78-1.19mm]

