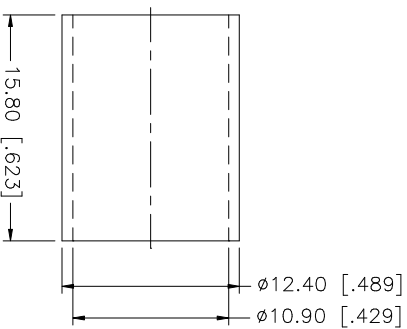
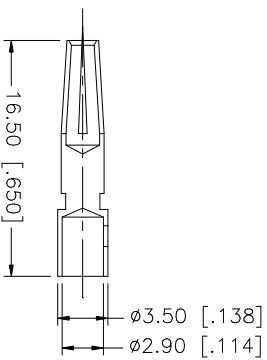
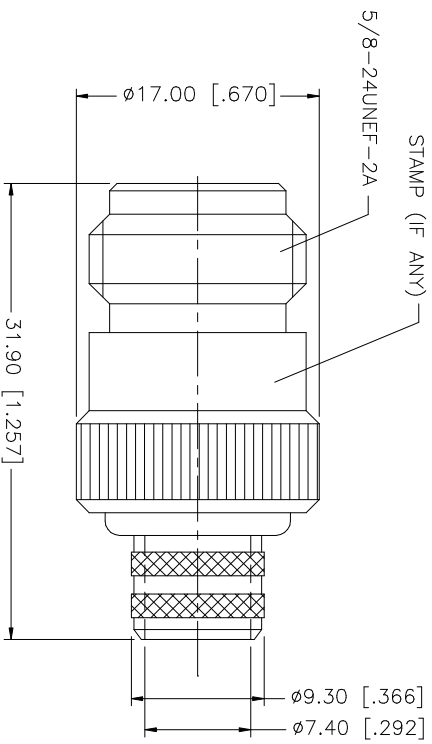
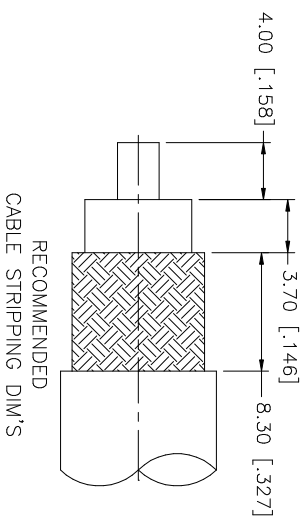


REV.	DATE	DESCRIPTION
A	04/31/03	UPDATE DRAWING FORMAT



- NOTE:
1. CRIMPED FERRULE
HEX. CRIMP SIZE .429"
 2. CRIMPED CONTACT PIN
HEX CRIMP SIZE .118"

QTY	FINISH	MATERIAL	DESCRIPTION
1	NEXCOTE	COPPER	FERRULE
1	NATURAL	PHOS. BRONZE	CONTACT PIN
1	NEXCOTE	BRASS	BODY
			DESCRIPTION

APPROVALS	DATE	DO NOT SCALE DRAWING
DRAWN G.R.S.	04/31/03	UNLESS OTHERWISE SPECIFIED DIMENSIONS ARE IN MILLIMETERS. DIMENSIONS IN [] ARE IN INCHES AND FOR CUSTOMER REFERENCE ONLY.
CHECKED		UNLESS OTHERWISE SPECIFIED TOLERANCES FOR MILLIMETERS ARE:
ISSUED		0.5 - 8mm ± 0.20mm
SHEET	1 OF 1	8 - 30mm ± 0.40mm
		30 - 120mm ± 0.50mm
		UNLESS OTHERWISE SPECIFIED TOLERANCES FOR INCHES ARE:
		.020 - .315 = ± 0.007"
		.315 - 1.180 = ± 0.015"
		1.180 - 4.724 = ± 0.020"

CAD FILE	DWG. NO.	REV.	SIZE	SCALE
C:/172/172203.DWG	172203.DWG	A	A	NA

PART DESCRIPTION	PART NO.
Amphenol Connex	
N CRIMP JACK (FOR BELDEN 9913, 9914, LMR400 CABLE)	172203