

4-1571551-3 x OBSOLETE

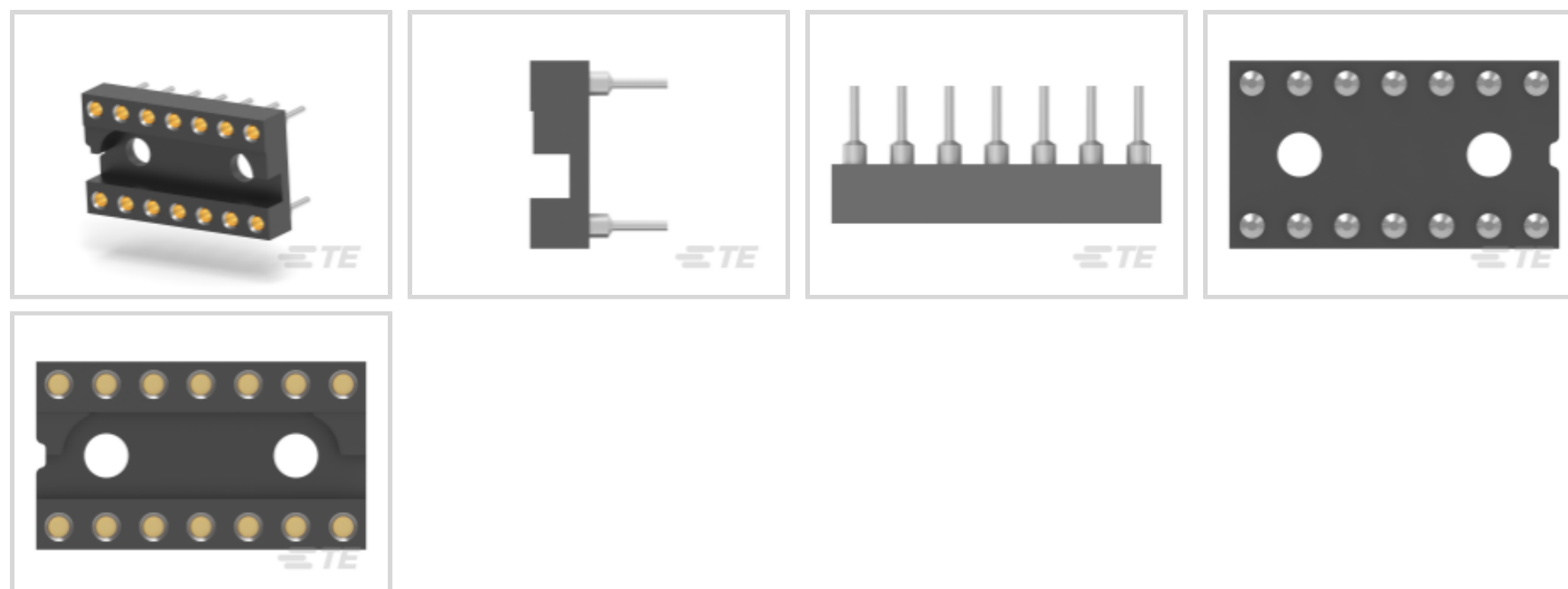


TE Internal #: 4-1571551-3

TE Internal Description: 514-AG11D-ES-LF=500 DIP,AU/SN

DIP Socket: Standard, Stamped & Formed, Closed, Gold

[View on TE.com >](#)



All DIP Socket: Standard, Stamped & Formed, Closed, Gold (0)

Product Compliance

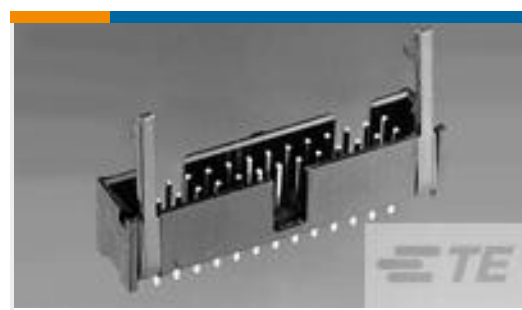
[For compliance documentation, visit the product page on TE.com>](#)

EU RoHS Directive 2011/65/EU	Compliant
EU ELV Directive 2000/53/EC	Compliant
China RoHS 2 Directive MIIT Order No 32, 2016	No Restricted Materials Above Threshold
EU REACH Regulation (EC) No. 1907/2006	Current ECHA Candidate List: JAN 2021 (211) Candidate List Declared Against: JAN 2021 (211) Does not contain REACH SVHC
Halogen Content	Not Low Halogen - contains Br or Cl > 900 ppm.
Solder Process Capability	Wave solder capable to 265°C

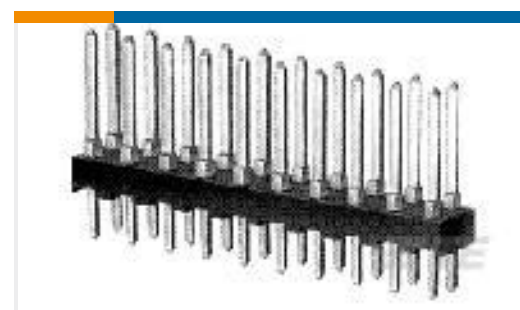
Product Compliance Disclaimer

This information is provided based on reasonable inquiry of our suppliers and represents our current actual knowledge based on the information they provided. This information is subject to change. The part numbers that TE has identified as EU RoHS compliant have a maximum concentration of 0.1% by weight in homogenous materials for lead, hexavalent chromium, mercury, PBB, PBDE, DBP, BBP, DEHP, DIBP, and 0.01% for cadmium, or qualify for an exemption to these limits as defined in the Annexes of Directive 2011/65/EU (RoHS2). Finished electrical and electronic equipment products will be CE marked as required by Directive 2011/65/EU. Components may not be CE marked. Additionally, the part numbers that TE has identified as EU ELV compliant have a maximum concentration of 0.1% by weight in homogenous materials for lead, hexavalent chromium, and mercury, and 0.01% for cadmium, or qualify for an exemption to these limits as defined in the Annexes of Directive 2000/53/EC (ELV). Regarding the REACH Regulation, the information TE provides on SVHC in articles for this part number is based on the latest European Chemicals Agency (ECHA) 'Guidance on requirements for substances in articles' posted at this URL: <https://echa.europa.eu/guidance-documents/guidance-on-reach>

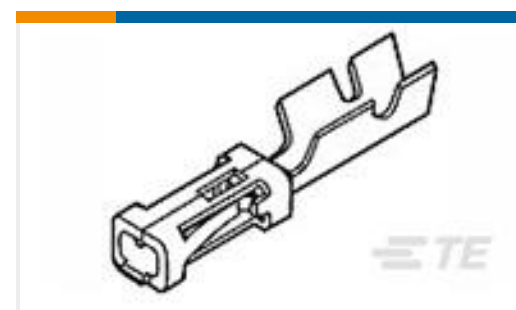
Customers Also Bought



TE Part #104130-1
010 LOPRO HDR RA 30DP LATCH



TE Part #1-87215-0
02 MODII HDR DRST UNSHRD .100



TE Part #1-87523-9
MOD IV RECP LP



TE Part #152873
14-12 PIDG NYLON RT NO 8 WHITE



TE Part #1658641-2
D-Sub Crimp: Plug, Signal, 50 Posn,
Pin Size 20, Shell Size 5



TE Part #1-5745967-6
D-Sub Receptacle Assembly: Vertical,
Shell Size 3, 2.77mm



TE Part #DT06-12SB-EP06
DEUTSCH DT Series Housings &
Connectors



TE Part #1-200833-1
SERIES "M" GUIDE PIN ST. STL.



TE Part #1-200835-1
SERIES "M" MIN. RECT. GUIDE SOC



TE Part #1393771-6
JWD-107-7=REED RELAYS

Documents

Product Drawings

514-AG11D-ES-LF=500 DIP,AU/SN

English

CAD Files

3D PDF

3D

Customer View Model

[ENG_CVM_CVM_4-1571551-3_C.2d_dxf.zip](#)

English

Customer View Model

[ENG_CVM_CVM_4-1571551-3_C.3d_igs.zip](#)

English

Customer View Model

[ENG_CVM_CVM_4-1571551-3_C.3d_stp.zip](#)

English

By downloading the CAD file I accept and agree to the [Terms and Conditions](#) of use.

Datasheets & Catalog Pages



DIP Sockets Quick Reference Guide (EN)

English