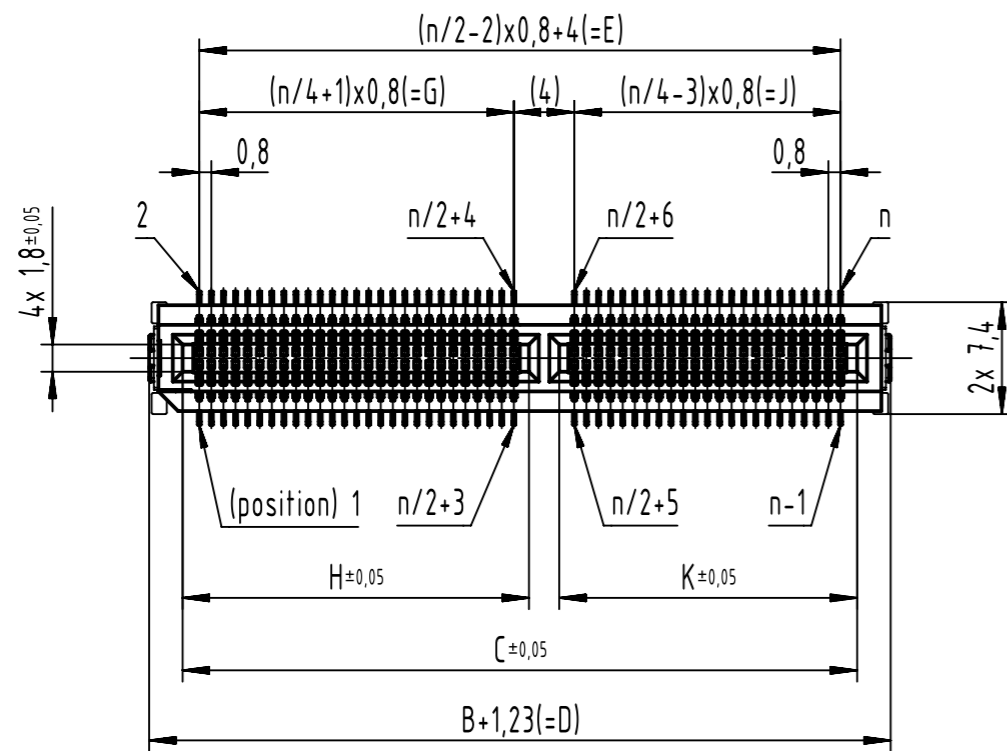
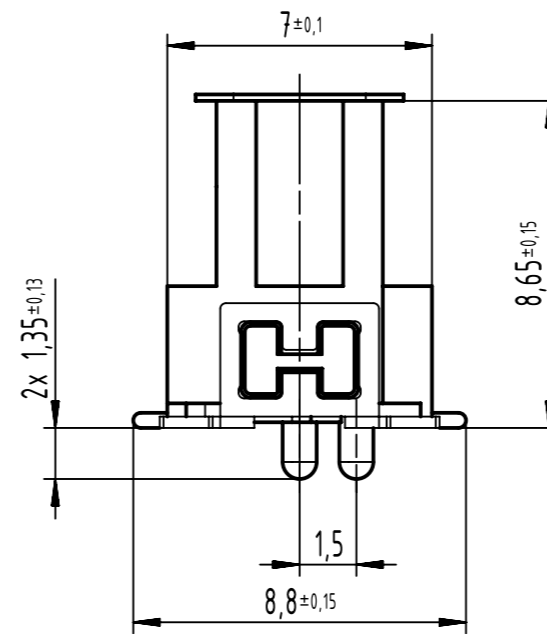


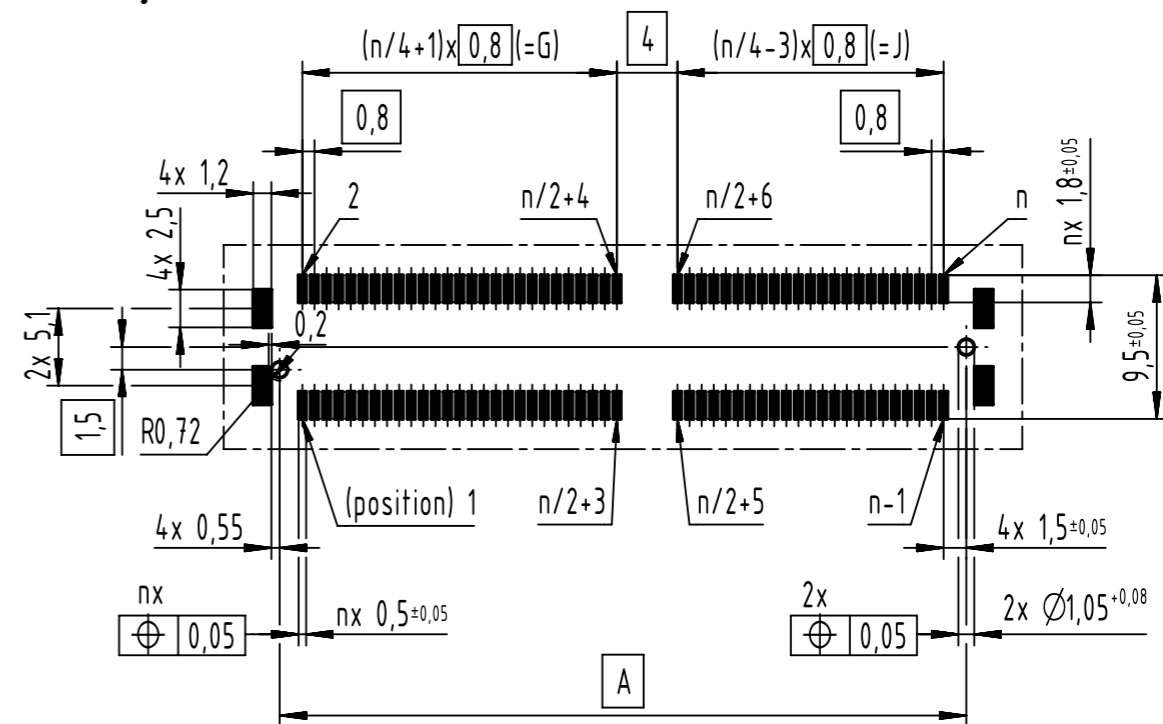
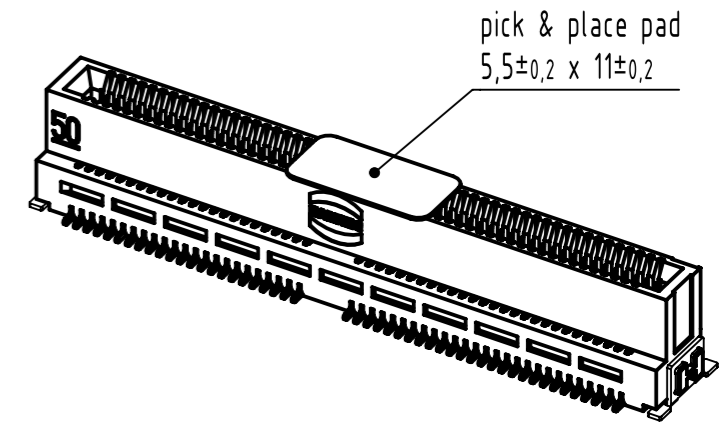
View without pick & place pad



A (5:1)



Board layout



X = Performance level,
2 = PL1
5 = PLS4

XXX = Packaging information
000 = tape & reel with 200pcs per reel
333 = sample

Part Number	poles no. (=n)	A	B	C	D	E	F	G	H	J	K	Description
15 04 080 X601 XXX	80	37,4	39,8	36,6	41,03	34,4	40,7	16,8	18,9	13,6	15,7	har-flex HD-Card Edge 80-pole with SMT hold down
15 04 100 X601 XXX	100	45,4	47,8	44,6	49,03	42,4	48,7	20,8	22,9	17,6	19,7	har-flex HD-Card Edge 100-pole with SMT hold down
15 04 120 X601 XXX	120	53,4	55,8	52,6	57,03	50,4	56,7	24,8	26,9	21,6	23,7	har-flex HD-Card Edge 120-pole with SMT hold down
15 04 140 X601 XXX	140	61,4	63,8	60,6	65,03	58,4	64,7	28,8	30,9	25,6	27,7	har-flex HD-Card Edge 140-pole with SMT hold down



All Dimensions in mm
Original Size DIN A3

Scale
2:1

Free size tol.

Ref.

Sub.



All rights reserved
Department EL PD

Created by
ZENGO

Inspected by
LUOK

Standardisation
302077

Date
2020-11-26

State
Final Release

Title
har-flex HD-Card Edge 80 to 140-pole with SMT

Doc-Key / ECM-Nr.
100803079/UGD/003/A
500000180186

Type
TB

Number
1504YYYYX601XXX

Rev.
A

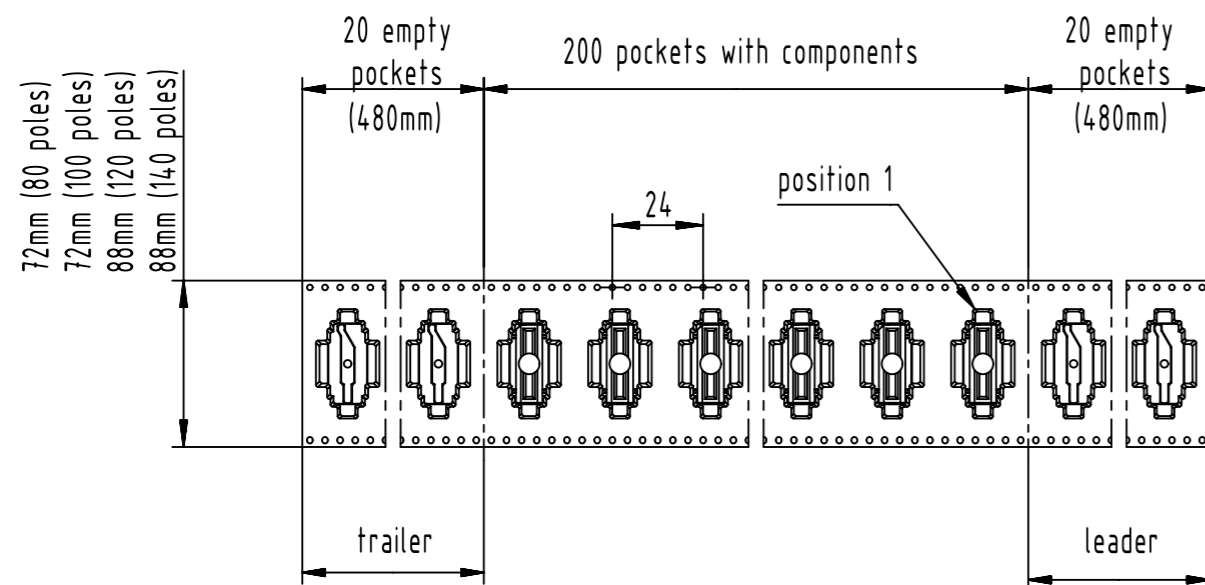
Page
1/2



har-flex HD-Card Edge connector, straight, 80 to 140-pole



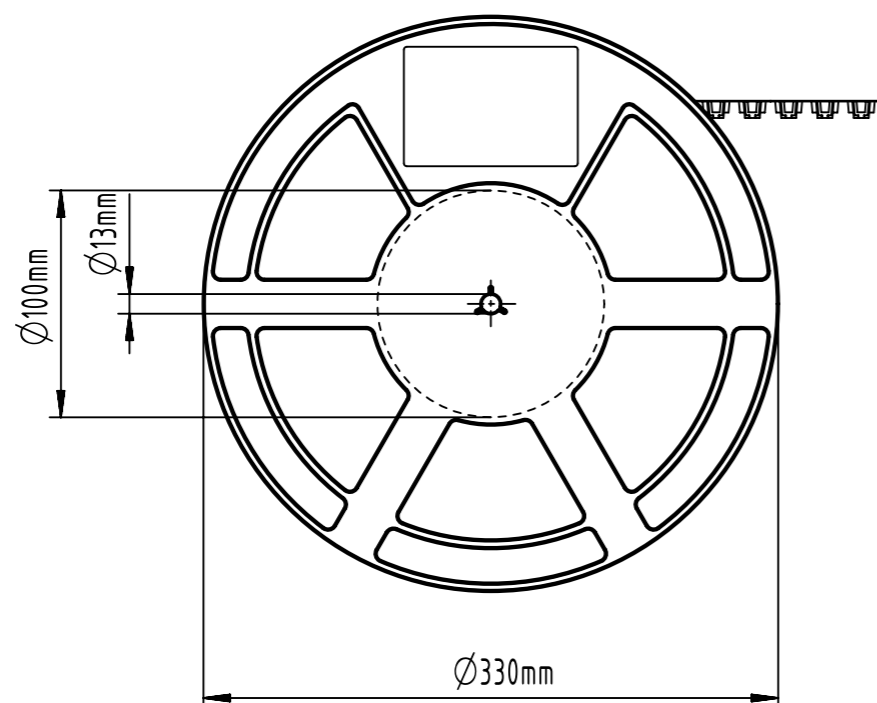
Tape layout & packaging



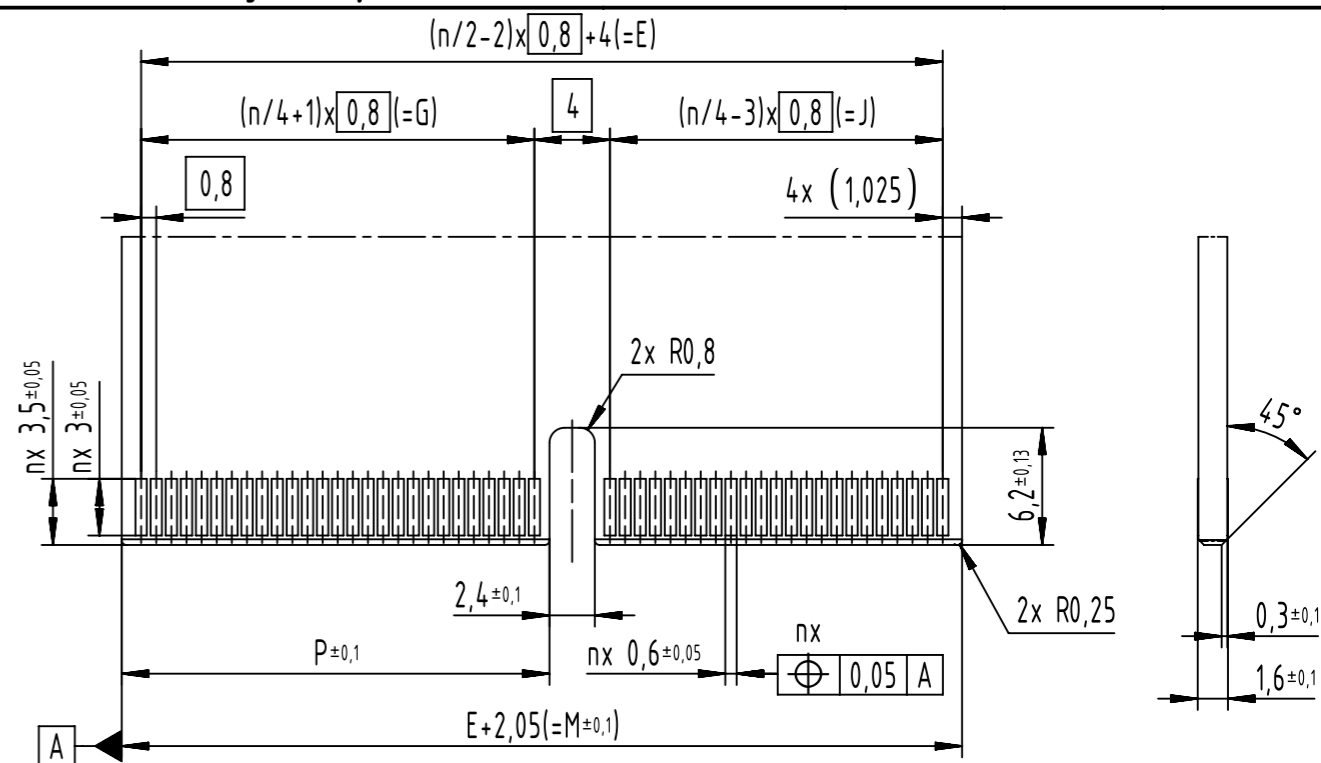
Packaging indices ("XXX" in part no.):

Index	Packaging unit	Packaging
000	200	Tape & Reel, one reel in one box
333	1	Tape

Reel dimension

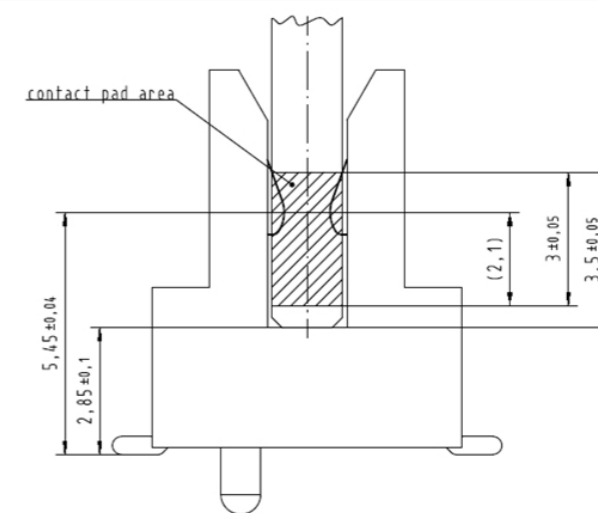


Recommended mating card layout



poles no. (=n)	E	G	J	M	P
80	34,4	16,8	13,6	36,45	18,625
100	42,4	20,8	17,6	44,45	22,625
120	50,4	24,8	21,6	52,45	26,625
140	58,4	28,8	25,6	60,45	30,625

Mating conditions



	All Dimensions in mm Original Size DIN A3	Scale 1:1	Free size tol.	Ref.	
				Sub.	
	All rights reserved	Created by ZENGO	Inspected by LUOK	Standardisation 302077	Date 2020-11-26
	Department EL PD	Title har-flex HD-Card Edge 80 to 140-pole with SMT			State Final Release
HARTING Electronics GmbH D-32339 Espelkamp		Type TB	Number 1504YYYYX601XXX	Doc-Key / ECM-Nr. 100803079/UGD/003/A 500000180186	Rev. A Page 2/2