

**MB CAP ULTRA BUFFER MODULE**

IN: 24VDC OUT: 24VDC/40A for max. 1A/170S

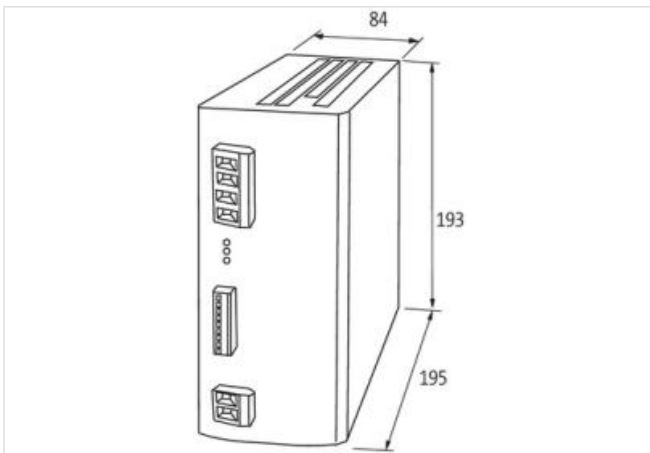
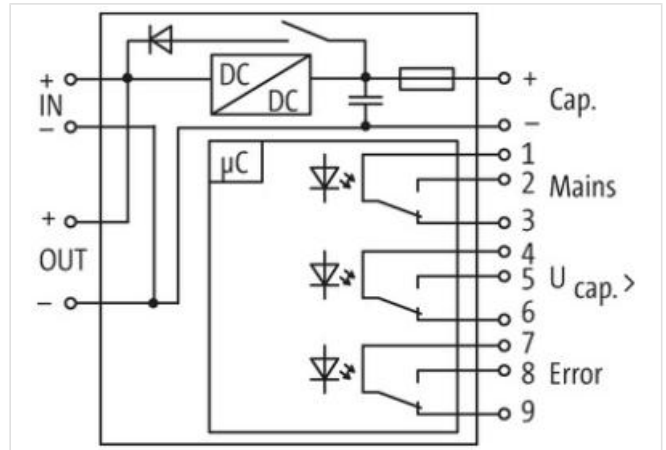
INPUT: 24 V DC (SELV/PELV)

OUTPUT: max. 40 A

3.6 s (40 A); 170 s (1 A)

[Link to Product](#)

**Illustration**



Product may differ from Image



**Commercial data**

ECLASS-6.0	27049190
ECLASS-6.1	27049002
ECLASS-7.0	27049002
ECLASS-8.0	27049002
ECLASS-9.0	27040705
ECLASS-10.1	27040705

ECLASS-11.1	27040705
ECLASS-12.0	27040705
ETIM-5.0	EC002584
customs tariff number	85322900
GTIN	4048879404990
Packaging unit	1

**Electrical data | Input**

Input voltage DC min.	21,6 V
Input voltage DC max.	26,4 V
Current input AC	40 A
Max. inrush current	36,5 A
Charging time min.	140 s
Charging time max.	300 s
Efficiency	90 %

**Electrical data | Output**

Output voltage DC min.	19 V
Output voltage DC max.	25,5 V
Output voltage adjustable	yes
Output current max.	40 A

**Mechanical data | Mounting data**

Mounting method	geschnappt
Suitable for mounting type	Tragschiene TH35-7.5/TH35-15, (EN 60715)

**Environmental characteristics | Climatic**

Operating temperature min.	-20 °C
Operating temperature max.	60 °C
Storage temperature min.	-20 °C
Storage temperature max.	60 °C