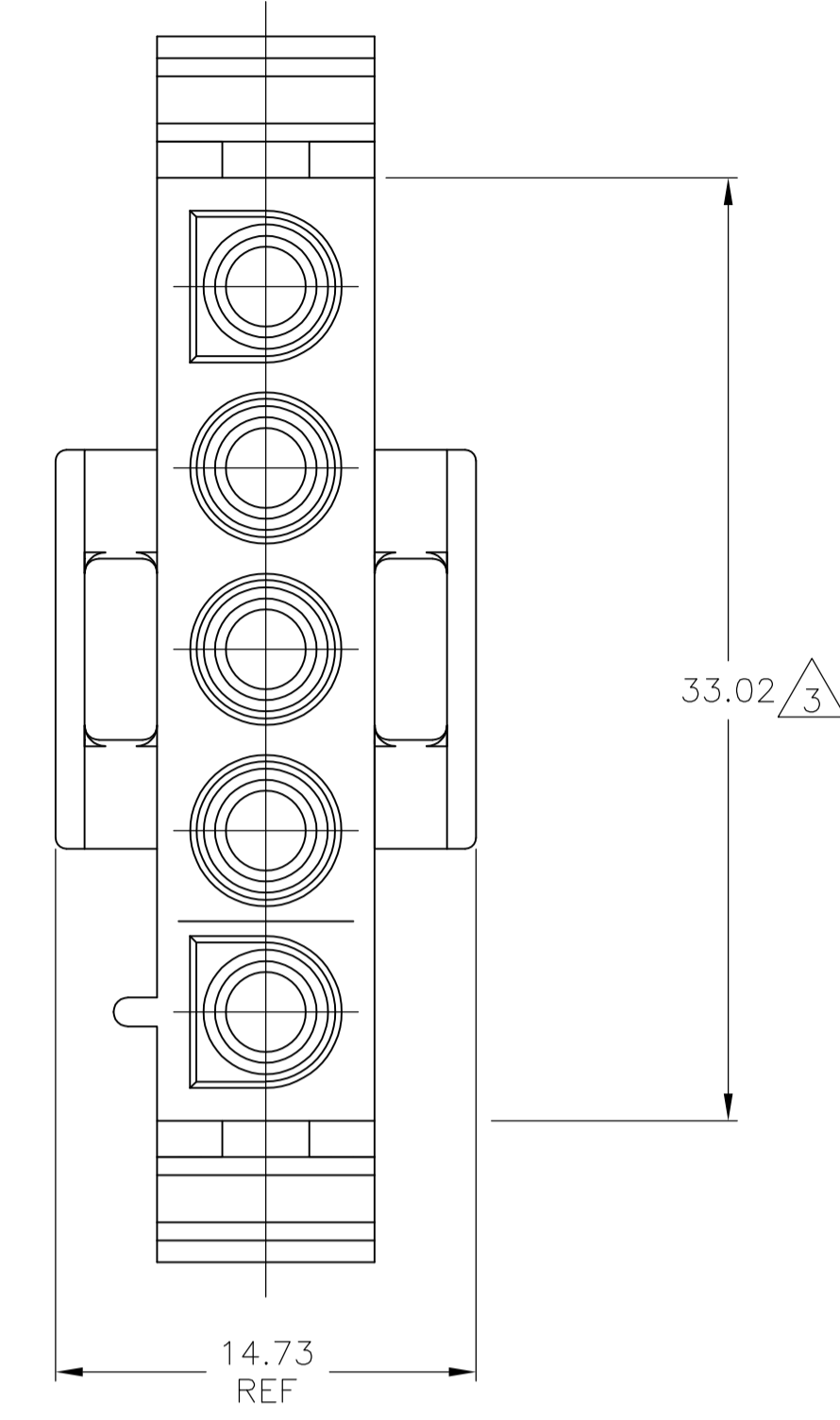
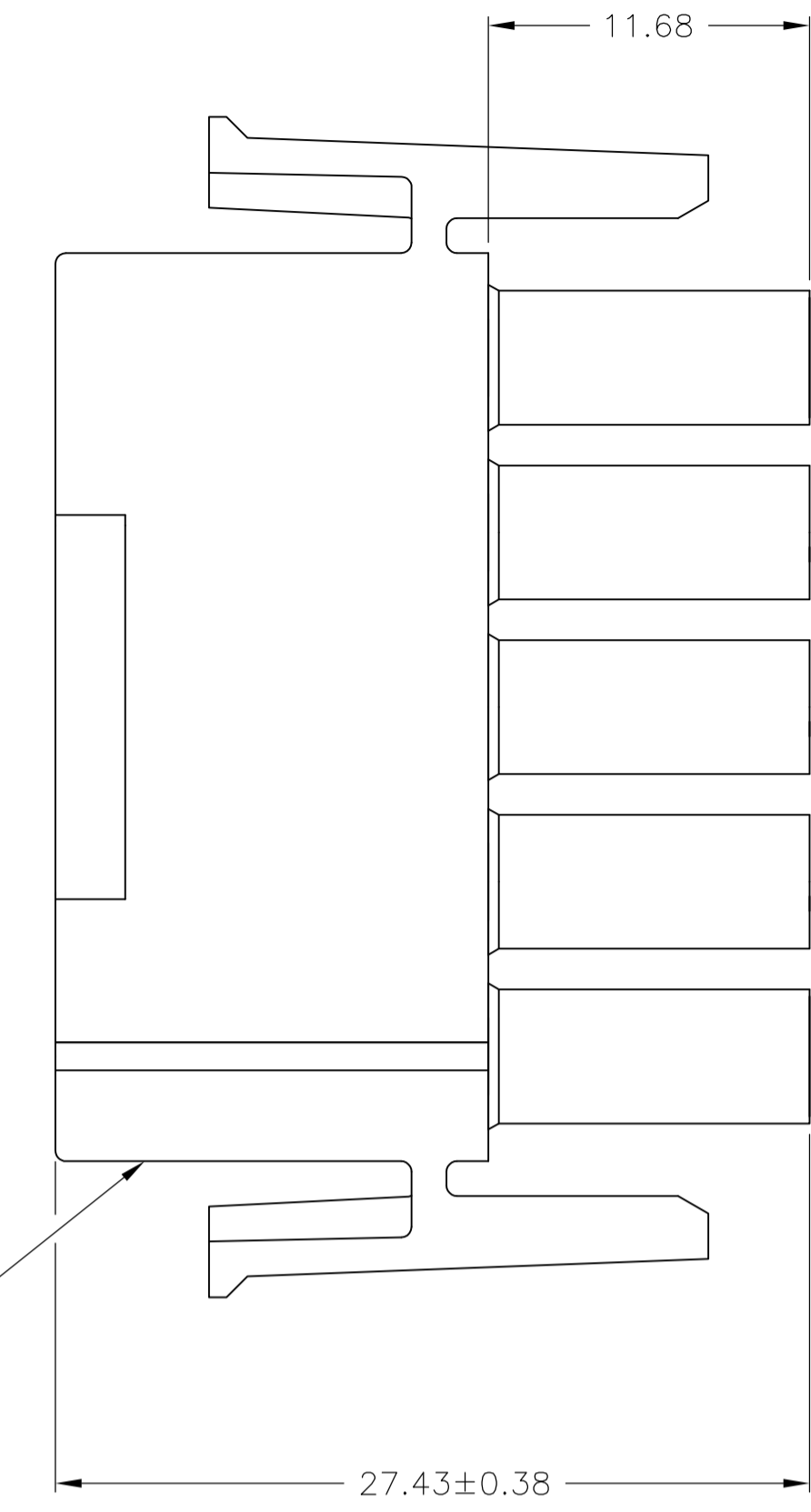
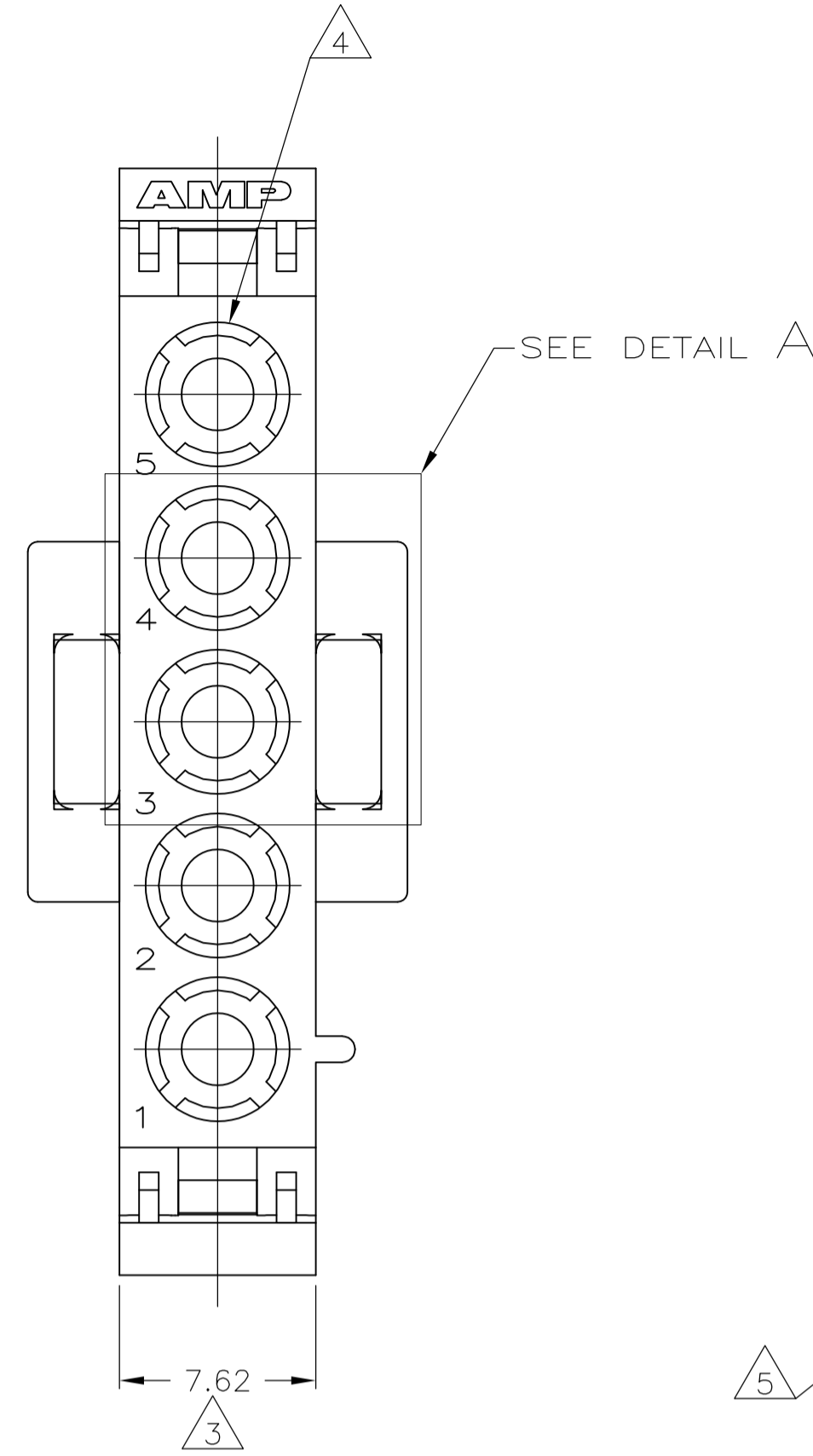
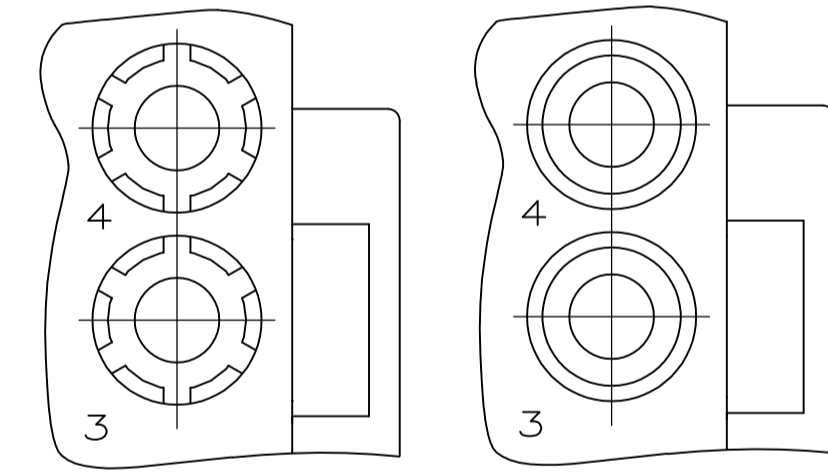
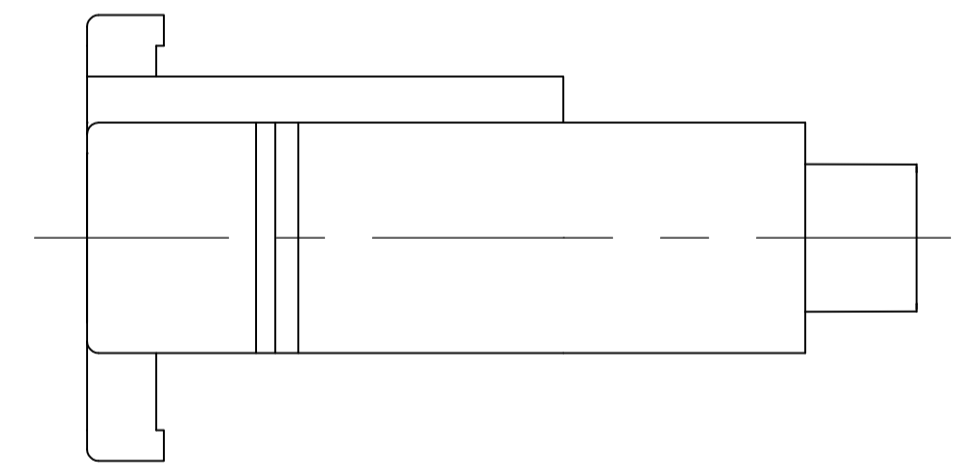


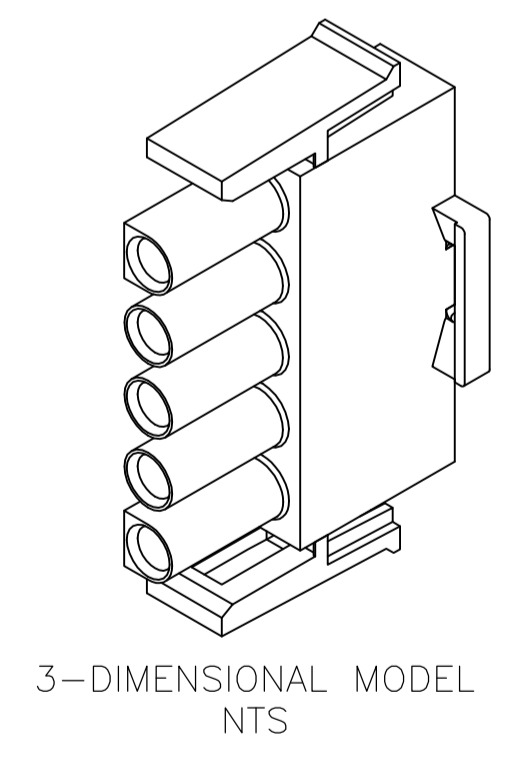
LOC		DIST		REVISIONS			
P	LTR	DESCRIPTION	DATE	DMN	APVD		
Y4		REVISED PER ECR-14-002737	24FEB2014	KKB	RRP		



1. MATES WITH APPROPRIATE UNIVERSAL MATE-N-LOK™ CAP OR HEADER.
2. SMALL NICKS ARE PERMITTED ON THE CIRCUIT TOWERS WHICH COULD INCREASE THE INITIAL HOUSING MATING FORCE BY UP TO 4.4 NEWTONS [1.0 LBS]. NO INDIVIDUAL NICKED TOWER SHALL INCREASE THIS FORCE BY OVER 2.2 NEWTONS [.5 LBS].
3. DIMENSION INDICATED IS AS MOLDED. ADDITIONAL GROWTH DUE TO SUBSEQUENT MOISTURE ABSORPTION MAY OCCUR.
4. FOUR RIBS EQUALLY SPACED, NO SPECIFIC ORIENTATION. NO RIBS OR SIX RIBS EQUALLY SPACED, NO SPECIFIC ORIENTATION, OPTIONAL.
5. UNDERWRITERS RECOGNIZED COMPONENT LOGO AND CSA CERTIFICATION LOGO TO BE LOCATED ONCE EACH ON SIDE OF HOUSING.



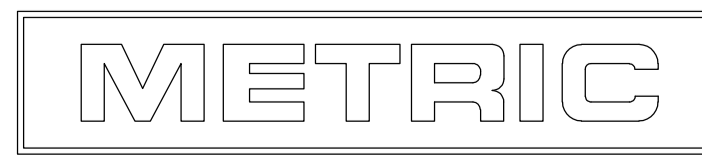
DETAIL A
OPTIONAL CONSTRUCTION



PA66 VO GWT 750°C NO FLAME	COLOR	PART NO.
	NATURAL	350809-3
	BLACK	1-350809-9
	GRAY	1-350809-8
	BLUE	1-350809-6
	GREEN	1-350809-5
	YELLOW	1-350809-4
	ORANGE	1-350809-3
	RED	1-350809-2
	BROWN	1-350809-1
SUPERCEDED BY 1-350809-9	BLACK	350809-2
	NATURAL	350809-1
	COLOR	PART NO.

MM	IN
33.02	1.300
27.43	1.080
14.73	.580
11.68	.460
7.62	.300
0.38	.015
0.13	.005

CONVERSION TABLE



THIS DRAWING IS A CONTROLLED DOCUMENT.

DIMENSIONS:	TOLERANCES UNLESS OTHERWISE SPECIFIED:	DIN R VESTAL 24FEB95	TE Connectivity
mm	0. PLC ± -	CHK R SWING 24FEB95	
	1. PLC ± -	APVD D SELF 24FEB95	NAME
	2. PLC ± 0.13		PLUG, 5 CIRCUIT, UNIVERSAL MATE-N-LOK™
	3. PLC ± -		PRODUCT SPEC
	4. PLC ± -		108-1031
	ANGLES ± 0°30'		APPLICATION SPEC
			114-18011
MATERIAL	FINISH	WEIGHT	SIZE CAGE CODE DRAWING NO
SEE TABLE	-	-	A1 - C=350809
			RESTRICTED TO
			CUSTOMER DRAWING

SCALE 4:1 SHEET 1 OF 1 REV Y4